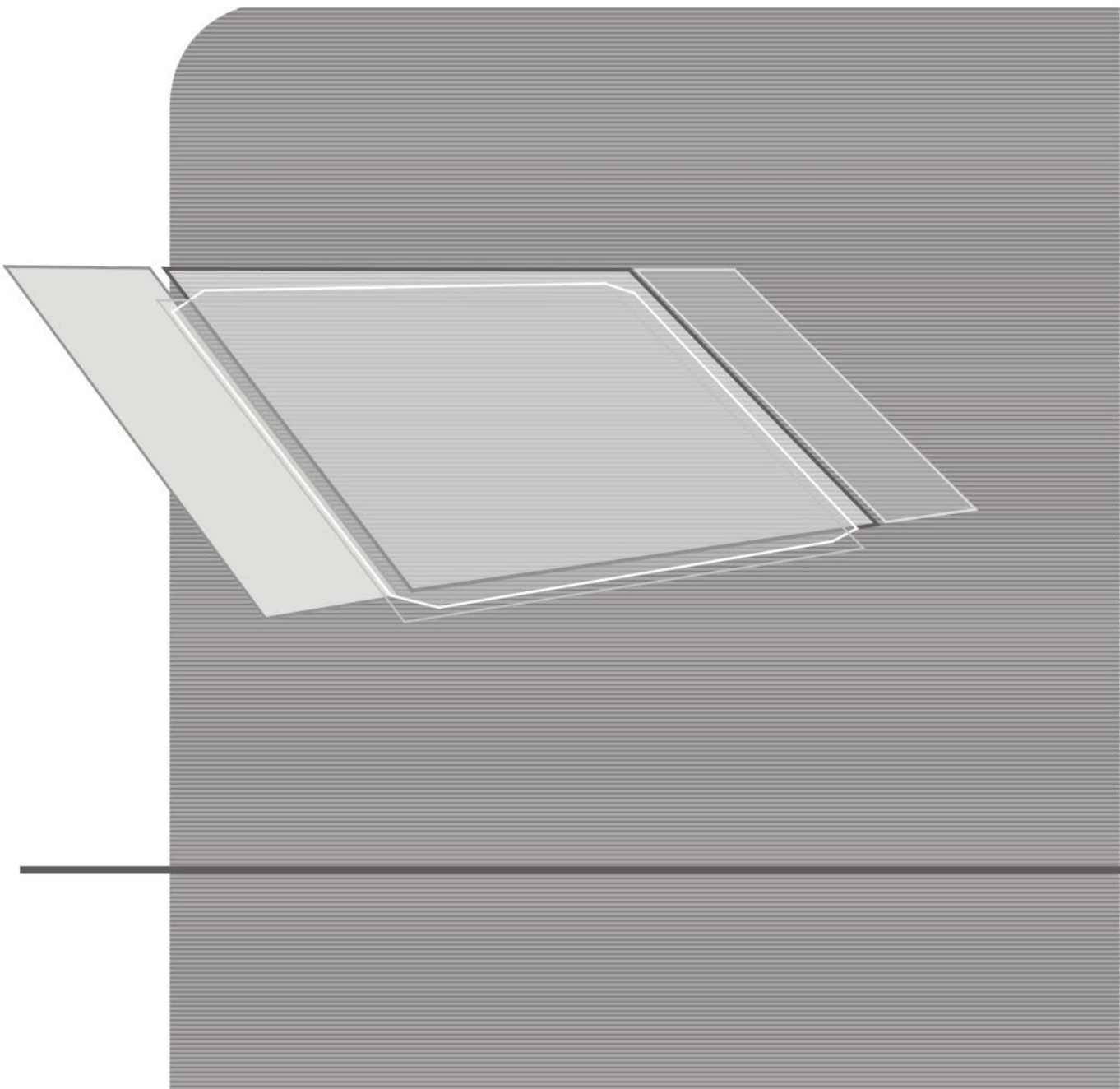


# Service Manual

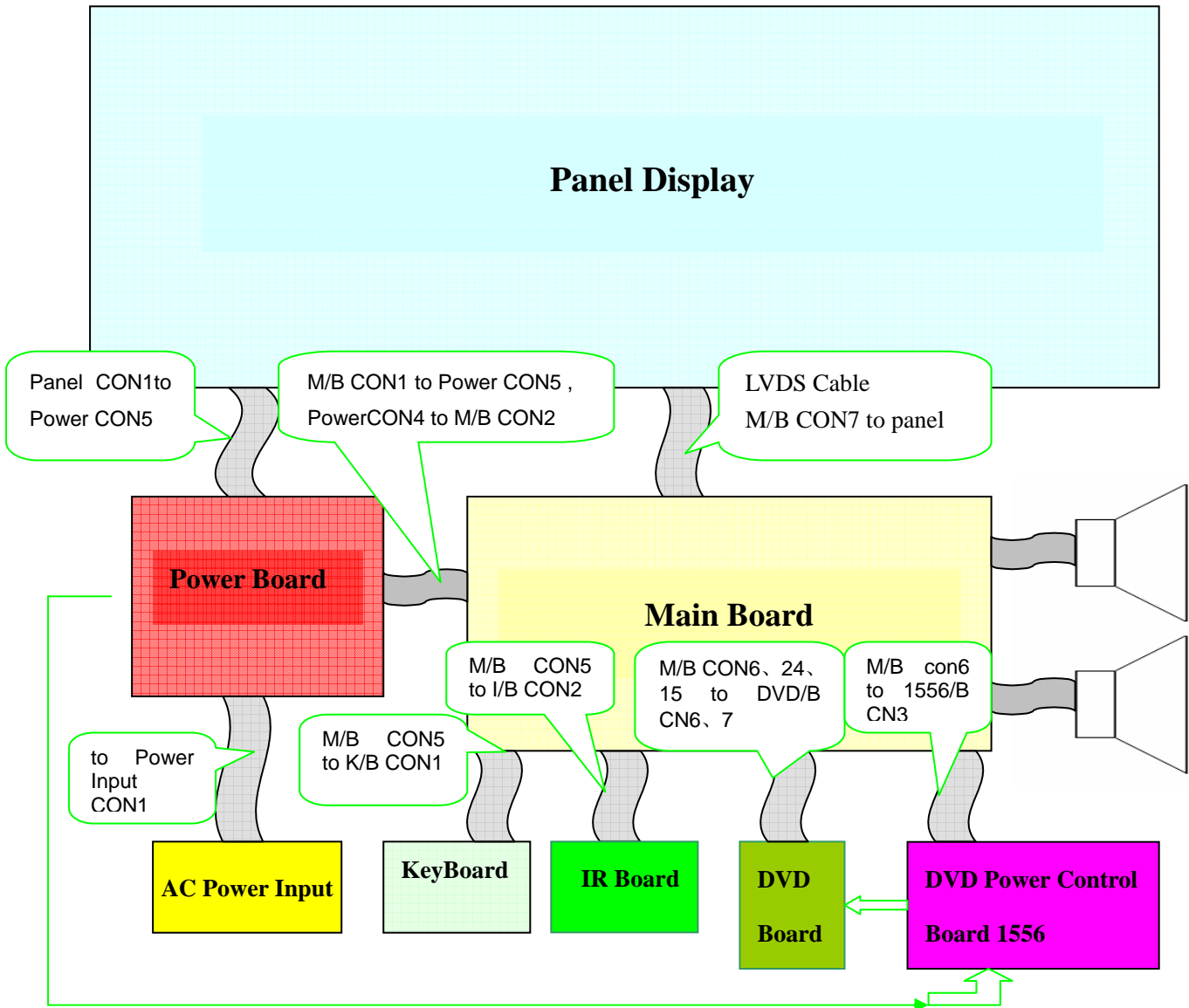
---

---



# LCD TV Service Manual

## 1. Diagram:



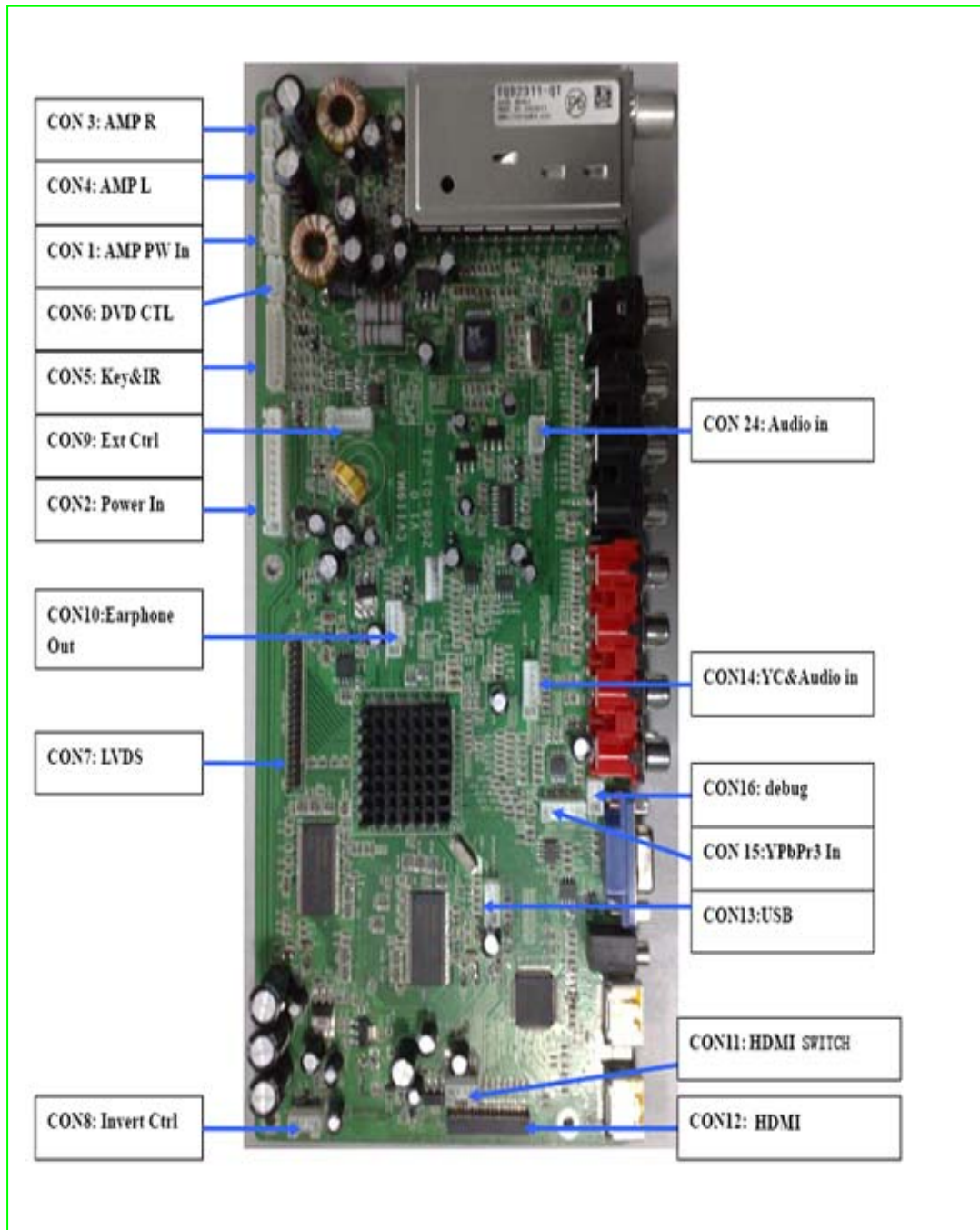
### 1.1 Function of Board:

- 1) Main Board: Control all inputing signals, Video signal decode, De-interlace, digital Signals (LVDS signal), scaling;
- 2) Panel: Display all image;
- 3) IR Board : Recive IR Signal;
- 4) Power Board: Supply all the power for the TV and DVD set;
- 5) Key Board : POWER、SOURCE、MENU、VOL+/- ,Channel +/-, Play/Pause, Open/Close;
- 6) Power Switch: Turn on/off the TV set;

## 2. Main Board and Power Board

### 2.1 Main Board and connector definition

#### 2.1.1 Image photo



Function		Inverter
Connector		CON8
No	Signal	Spec
1	ON/OFF	Inverter switch
2	ADJ	Adjust backlight
3	GND	
4	GND	

Function		Amplifier Power
Connector		CON1
No	Signal	Spec
1	24V	24V IN
2	24V	24V IN
3	GND	
4	GND	

Function		Power
Connector		CON2
No	Signal	Spec
1	ON/OFF	Power switch
2	STB5V	Stand by 5V
3	5V	5V in
4	5V	5V in
5	P_Power	Panel power
6	P_Power	Panel power
7	GND	
8	GND	
9	GND	
10	12V	12V in
11	12V	12V in

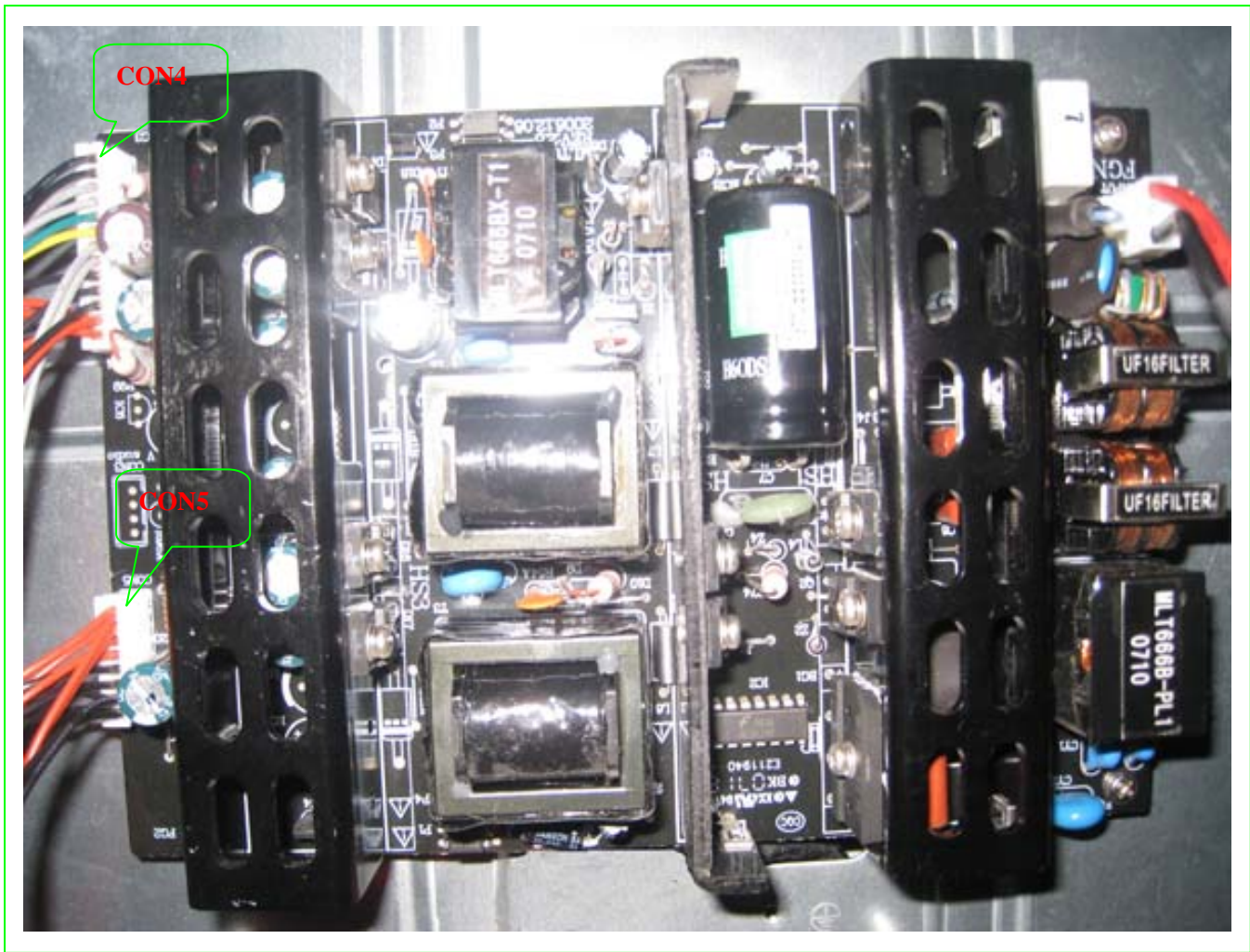
Function		TO Keyboard & IR
Connector		CON5
No	Signal	Spec
1	5V	5V in
2	GND	
3	IR	Remote single
4	LED_R	
5	LED_G	
6	GND	
7	KEY0	
8	KEY1	
9	KEY	

Function		Power
Connector		CON2
No	Signal	Spec
1	ON/OFF	Power switch
2	STB5V	Stand by 5V
3	5V	5V in
4	5V	5V in
5	P_Power	Panel power
6	P_Power	Panel power
7	GND	
8	GND	
9	GND	
10	12V	12V in
11	12V	12V in

Function		DVD Control
Connector		CON6
No	Signal	Spec
1	DVD_IR	Remote single
2	DVD IR_EN	IR Switch
3	DVD_STB	Power Switch
4	GND	

## 2.2 Power board

### 2.2.1 Power board photo



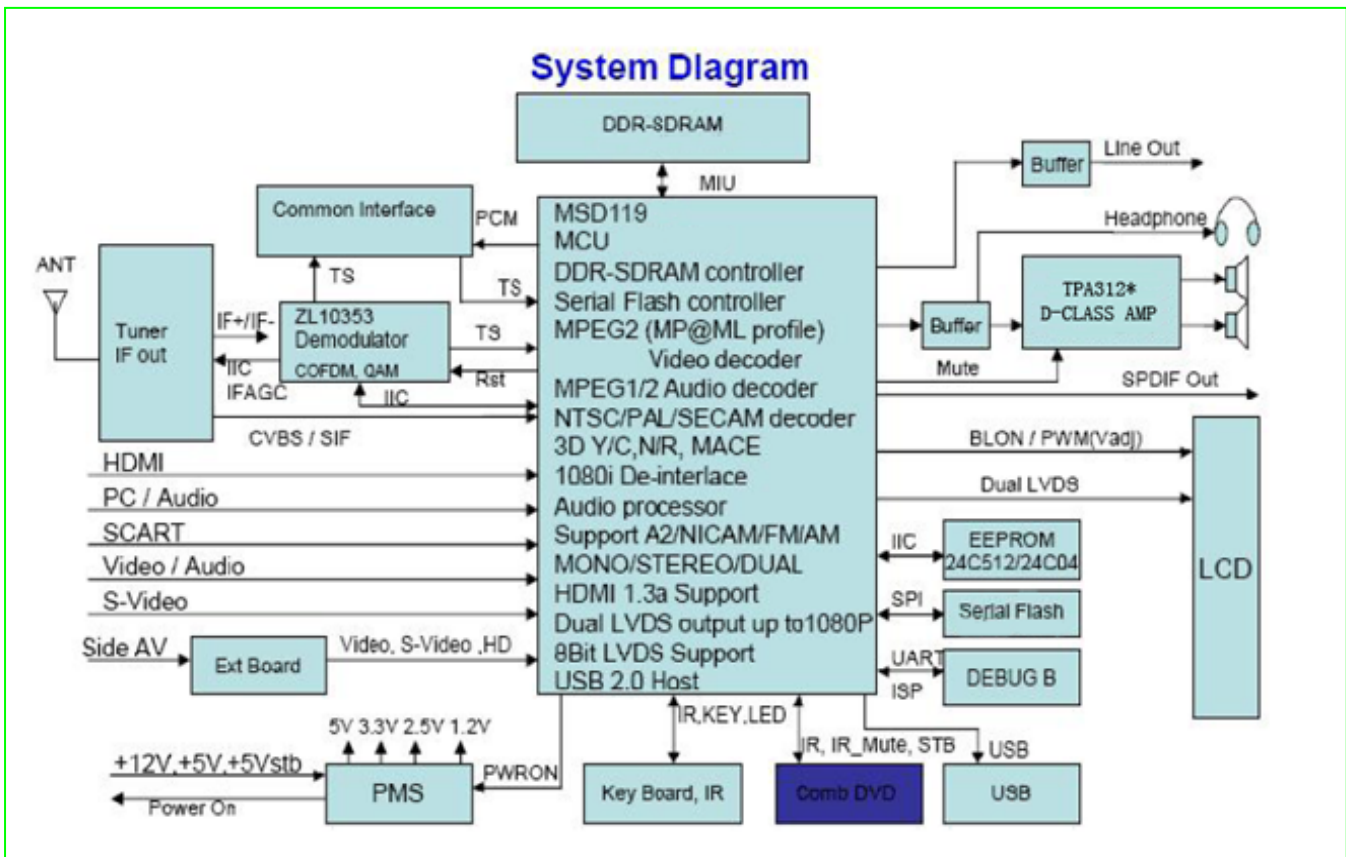
### 2.2.2 Power connector definition

Function		Inverter power
Connector		CON4
No	Symbol	Definition
1	12V	standby on/off
2	12V	Stand by 5V
3	GND	Ground
4	GND	Ground
5	GND	Ground
6	5V	5VDC out
7	5V	5VDC out
8	5VSB	5V stanby
9	STB	Standby control
10	5V	5VDC out
11	5V	5VDC out
12	GND	Ground
13	GND	Ground

Function		Main board power&control
Connector		CON5
No	Symbol	Definition
1	GND	Ground
2	GND	Ground
3	GND	Ground
4	GND	Ground
5	24V	24VDC out
6	24V	24VDC out
7	24V	24VDC out
8	24V	24VDC out

### 3. Hardware

#### 3.1 Block Diagram



#### 3.2. CV119MA frequently malfunction obviate

3.2.1. Power Defect

3.2.2. No display

3.2.3. Sound Defect

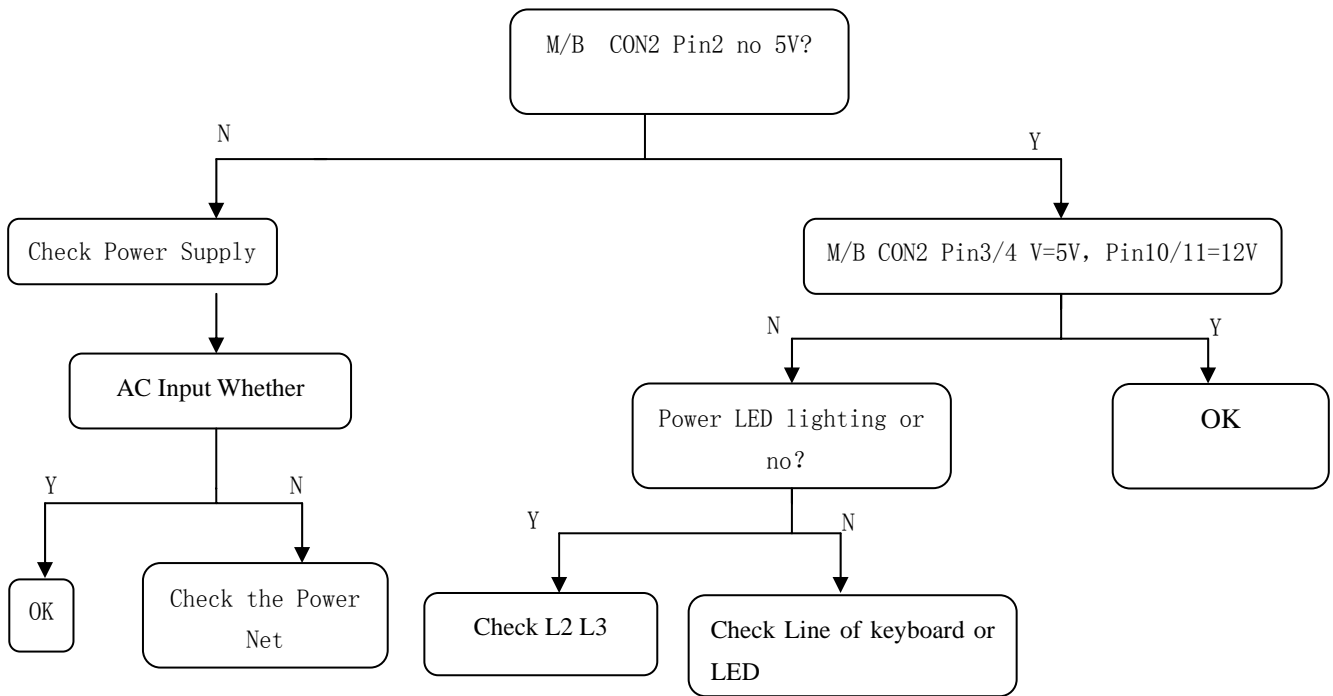


Fig1 Power Defect

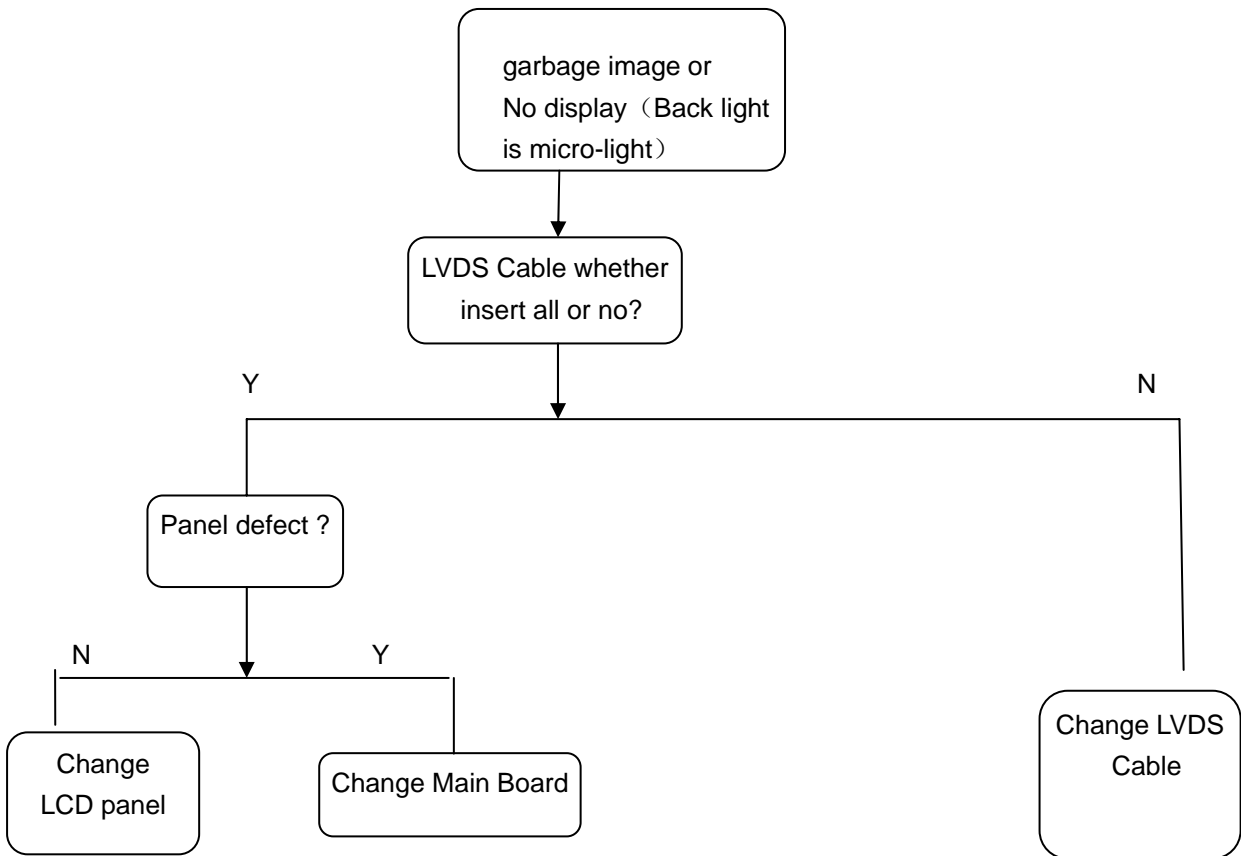


Fig2 Display (garbage image)

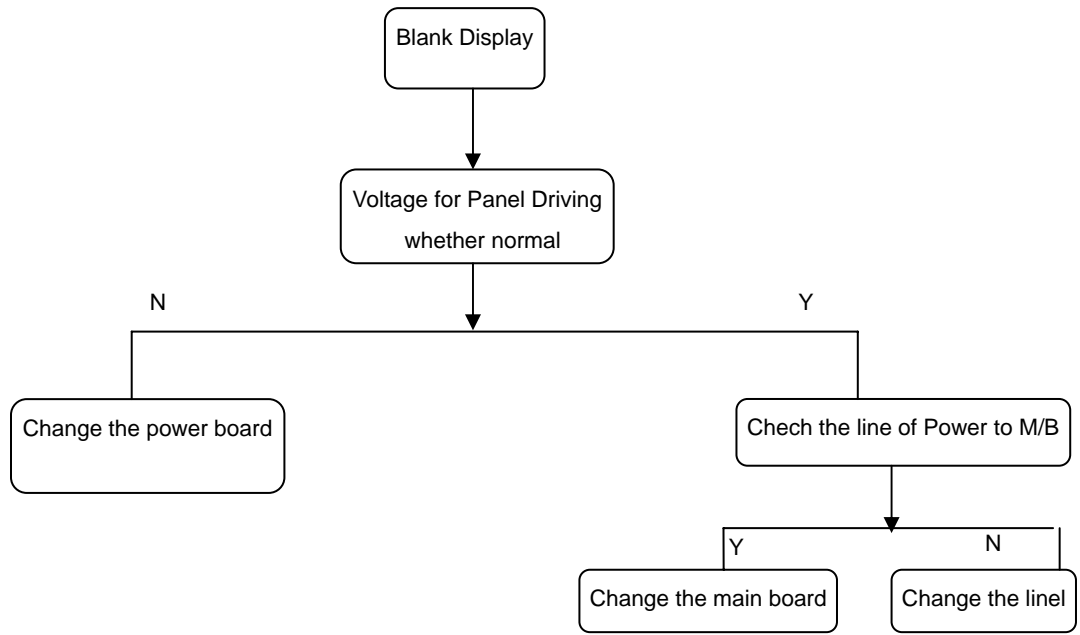


Fig 3 No display (Blank)



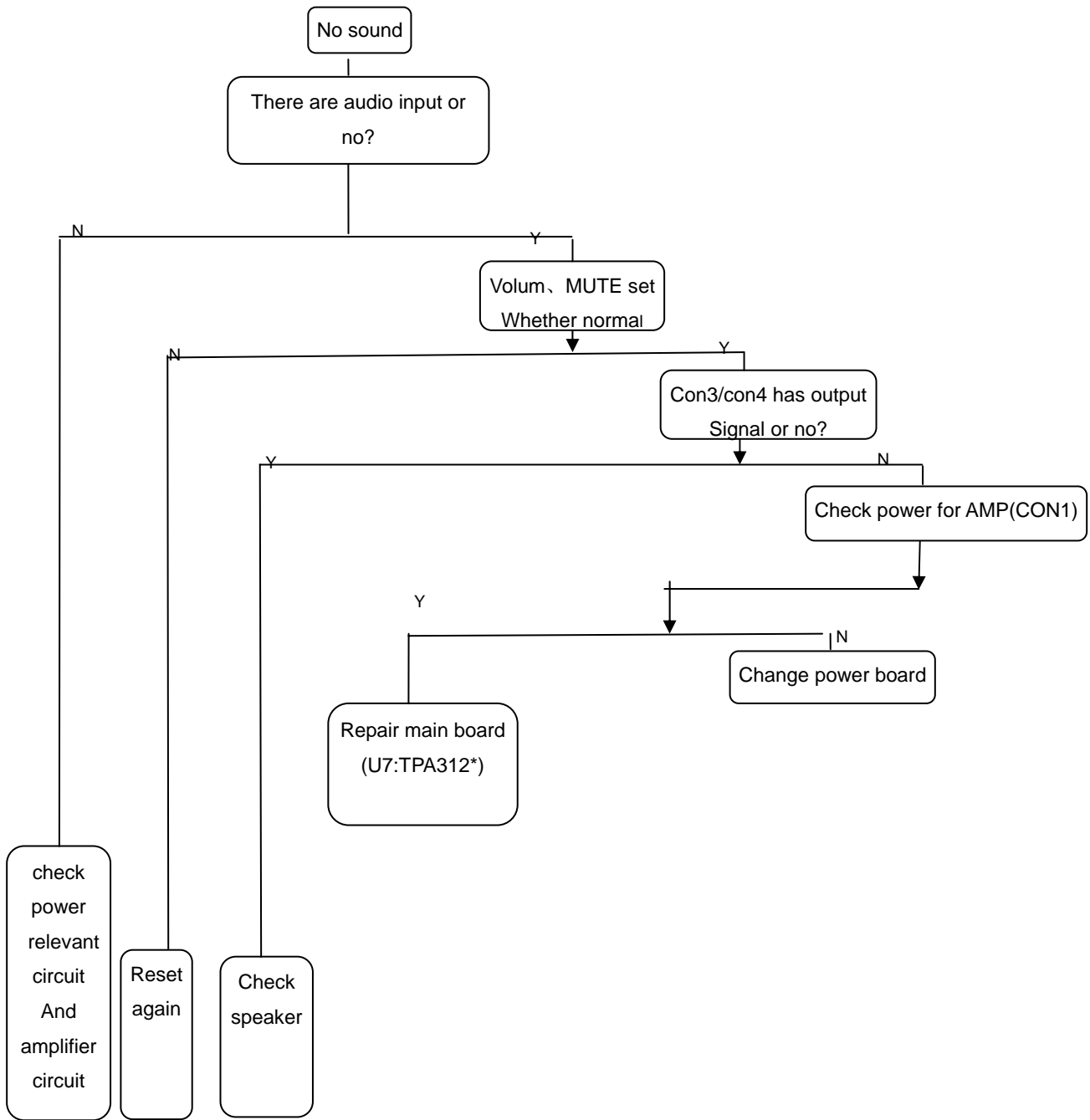


Fig5 Audio(no sound)

#### 4. Explode

