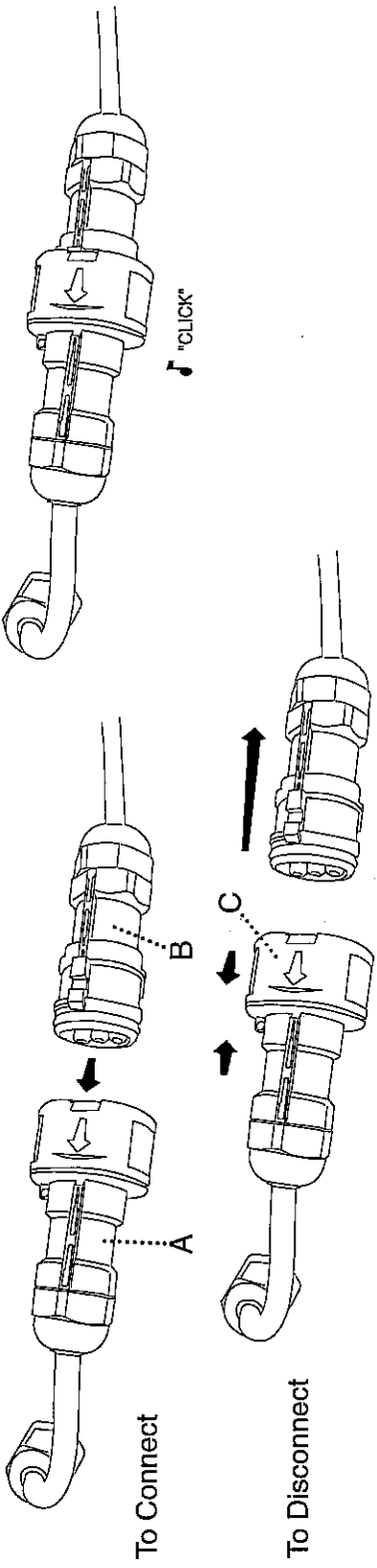
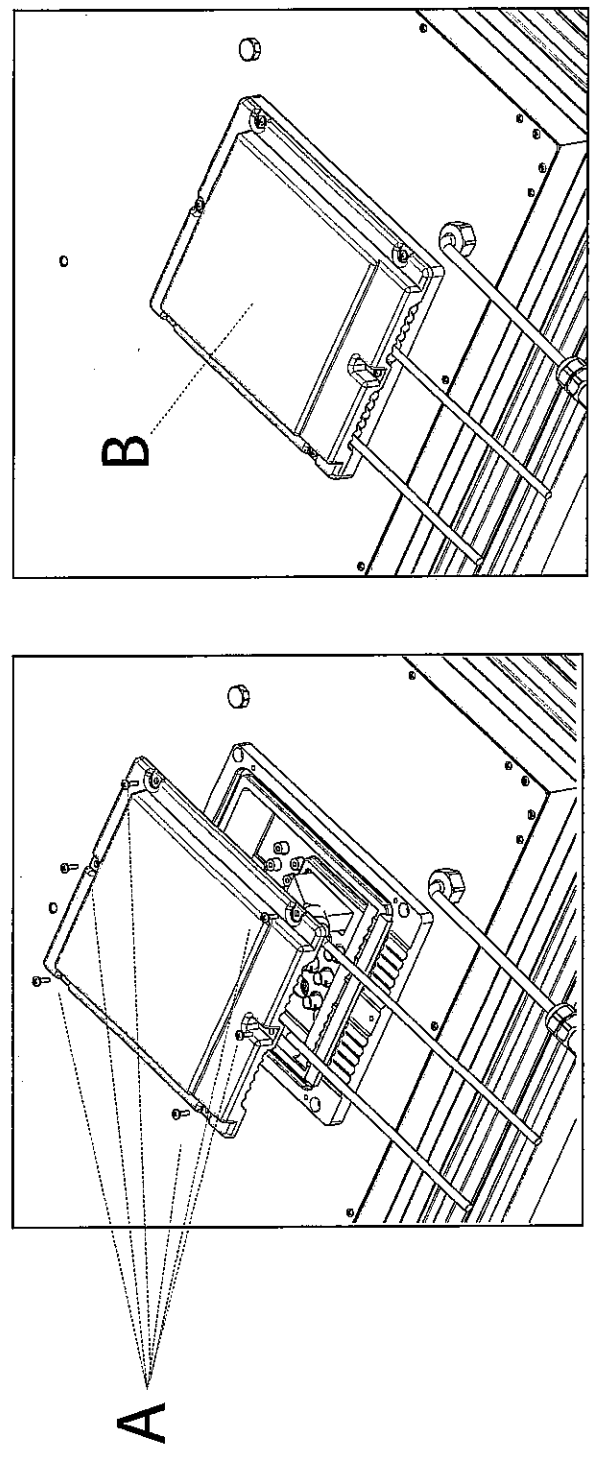


# Installation guide (wire assembly)

**1** Connect the in-line waterproof AC cord, line up and push together connectors A & B until a positive click is heard and they cannot be pulled apart. To disconnect push collar "C" forward and pull connector B.



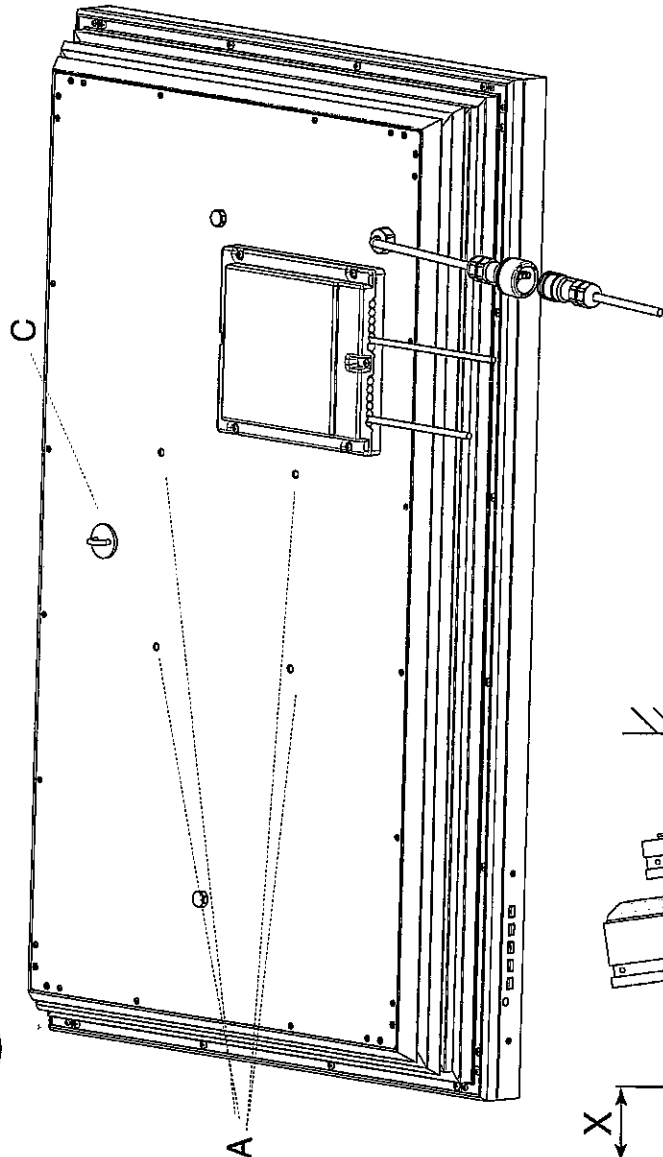
**2** Remove the 6 screws retaining the Terminal cover (B). Place the cables in the connectors as required. Reposition the terminal cover and replace the screws (refer to the diagram below).



# Installation guide (Wall Bracket)

3

This monitor has been designed to use a wall bracket with a 200 X 200mm VESA hole pattern. Remove the 4 screws (A) and use them to connect the wall bracket plate to the monitor. **DO NOT USE ANY OTHER SCREWS.**



4

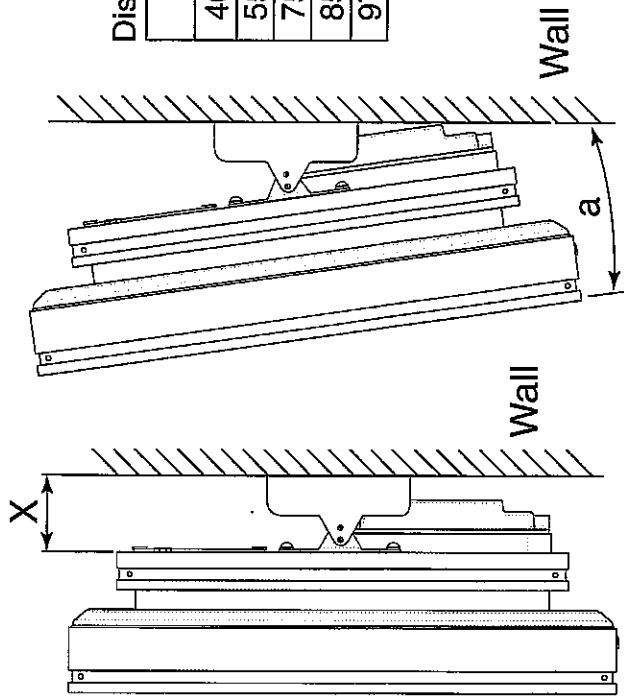
A security fixing point (C) is provided for use with chains, cables and padlocks. **NOTE: PLEASE DO NOT USE THIS FIXING POINT TO LIFT THE MONITOR**

5

This monitor must be positioned a minimum of 40mm from the wall.

To reduce reflections on the screen use a wall bracket with the ability to tilt and angle the set downwards to obtain the best viewing angle.

In order to achieve greater tilt angles the monitor must be placed further away from the wall. (Refer to the table opposite)



Distance from wall (mm) Versus Tilt angle.

X	Angle a (Degrees)
40mm	Minimum distance from wall
55mm	2.5 Tilt
75mm	10 Tilt
85mm	15 Tilt
97mm	20 Tilt