

# LCD PROJECTOR LENS

MODEL NO. LNS-W02/T02/T02E

LNS-W02K/T02K Series

## LENS REPLACEMENT AND INSTALLATION PROCEDURES

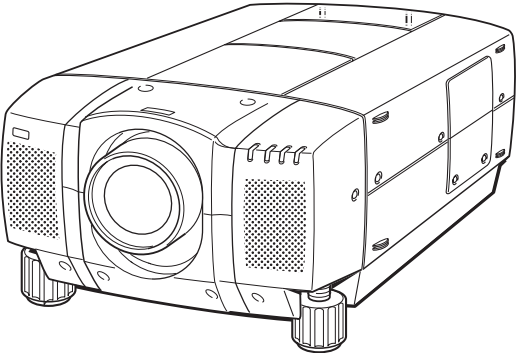
### NOTES ON REPLACEMENT AND INSTALLATION

The procedures and the needed parts for lens installation depend on the type of cabinet. Before installing or replacing the lens, make sure the type of cabinet and be sure to refer to the Installation Manual corresponding with your projector.

When installing or replacing the lens, make sure the Lens Model No. matches with your projector. Refer to the catalog, or contact your sales dealer for the proper Lens Model No.

### TYPE OF THE CABINET AND REFERENCE INSTALLATION MANUAL

Refer to the Installation Manual corresponding to your projector.  
(See the chart below.)

Type of the Cabinet	Reference Installation Manual
	Refer to this manual.
Other than the above cabinet design.	Refer to the Installation Manual supplied with the Projector.

# NOTES ON LENS INSTALLATION

- Lens installation and replacement should be made by the qualified service personnel.
- Be sure to install the lens following this procedure precisely.
- The lens cover is on the lens for protection. Be sure to replace the lens cover before installation.
- When installing or replacing the lens, be careful not to stain, scratch or damage the lens.

## LIST OF CONTENTS

Following parts are included in the packing.

- |                        |  |
|------------------------|--|
| • LENS                 | 1 piece                                  |
| • LENS MOUNTING SCREWS | 10 screws (6 for spare) LNS-T02/LNS-T02E |
| • LENS MOUNTING SCREWS | 6 screws (2 for spare) LNS-W02           |
| • DRIVER               | 1 piece                                  |
| • LIGHT-BLOCK SHEET    | 1 sheet                                  |
| • CABLE TIE            | 3 pieces                                 |



## BE SURE TO CHECK FOR SAFETY

After installing or replacing the lens, be sure to check the following for safety.

1. Check the lens is securely fixed by 4 screws.
2. Check no wiring is tangled on the gear of lens motor or the other mechanical parts.
3. Check no part is missing, or no mounting part is loose.

Some parts are not used for installation or replacement. Keep these parts for later use.

Note : Figures in this manual may be differ from the actual product.

# LENS REPLACEMENT AND INSTALLATION PROCEDURE

Perform the steps 1 to 5 for lens replacement and installation.  
 First, set the lens at the center position with lens shift button.

## 1 REMOVE THE LENS COVER.

First check the shape of cabinet.

In case figure-1 cabinet.

1. Remove screws A (2 screws).
2. Pull down the lower lens cover while pushing the part D, then remove it.
3. Remove screws B (2 screws).
4. Remove screws C (2 screws) and remove upper lens cover.

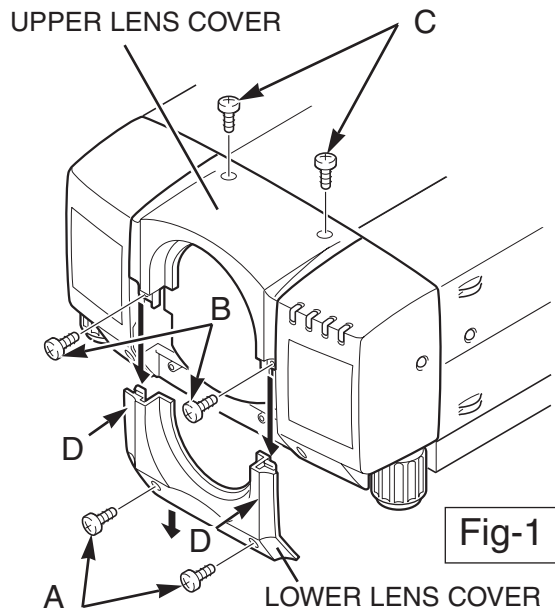


Fig-1

In case figure-2 cabinet.

Remove 4 screws of the lens cover and remove the lens cover.

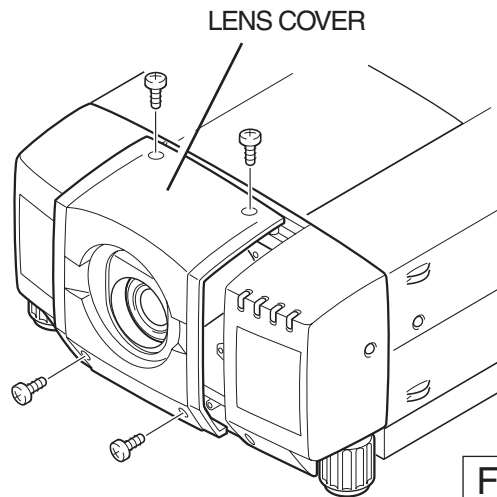


Fig-2

## 2

● IN CASE OF MODEL WITHOUT LENS

REMOVE THE COVER PLATE OF THE LENS COVER. (See figure-3)

Remove 2 screws and pull down the plate.

(At the step 5, insert the light-block sheet in the same position as the removed cover plate has been placed. Two screws are not used.)

Use the light-block sheet included with lens.

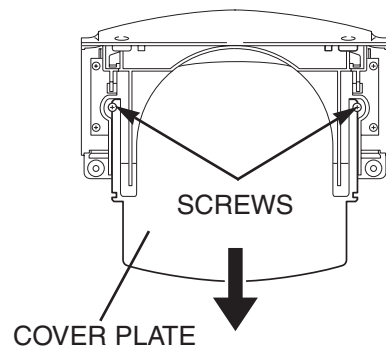
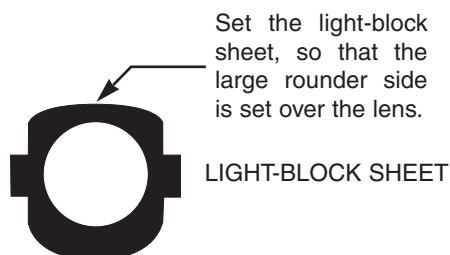


Fig-3



● IN CASE OF MODEL WITH LENS

REMOVE THE LENS. (See figure-4)

1. Remove the connector "K16B" of the circuit board.
2. Loosen the A, B, C wire holder and remove the lens motor lead.
3. Remove screws D (4 screws) which fastens the lens and remove the lens.

\* Figure shown inside of the cabinet.

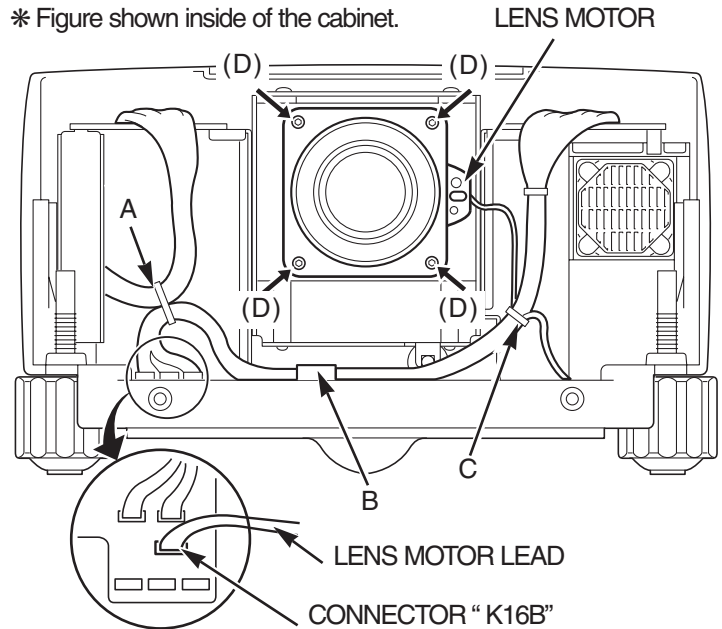
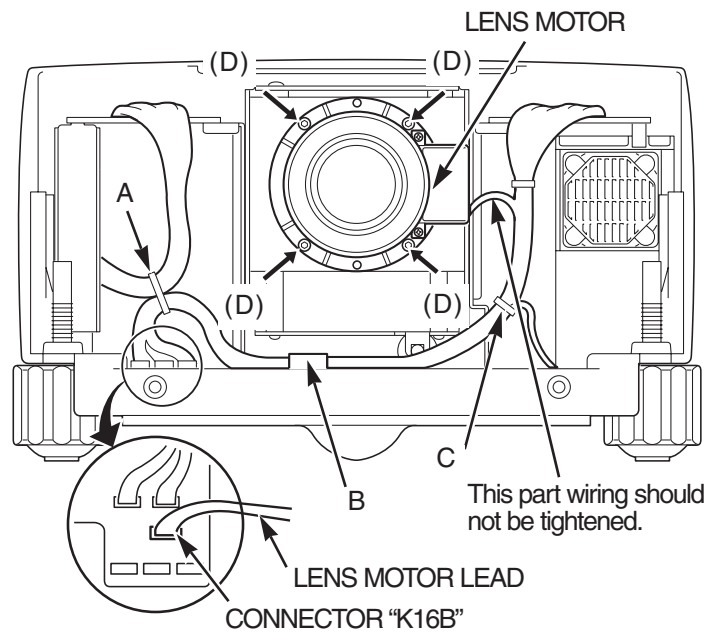


Fig-4



3 INSTALL THE LENS. (See figure-4,5)

1. Remove protective caps (front and back ) on the lens.
2. Mount the lens at the lens mounting bracket with screws (4 screws) included with the lens. Use the driver included with the lens to fasten the screws . (After using, save it for latter use.) (See figure-5)
3. Connect the lens motor lead to the connector "K16B" of the circuit board. (See figure-4)
4. Fasten the lens motor lead at the A, B, C points with wire holder. (See figure-4)

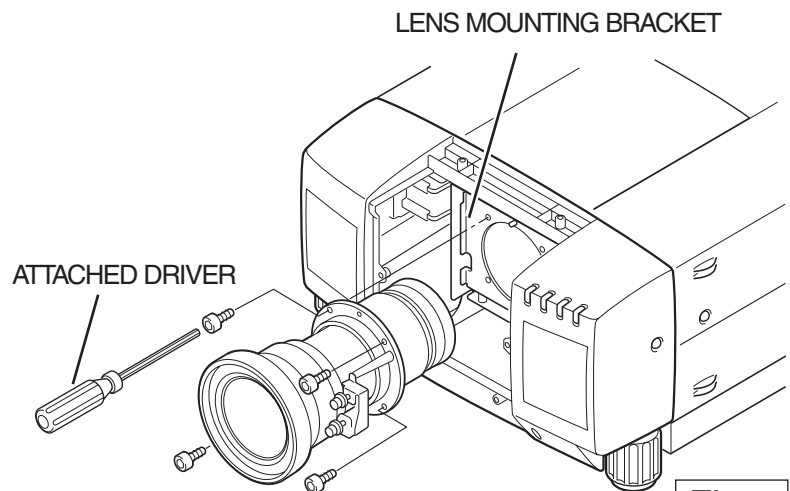
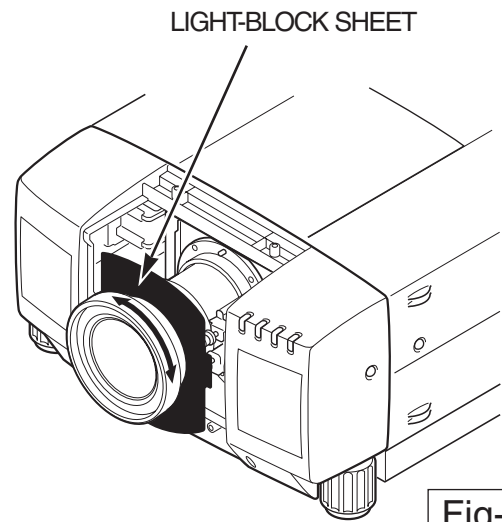


Fig-5

**4** INSTALL THE LIGHT-BLOCK SHEET.  
(See figure-6)

Install the light-block sheet around the lens as shown in the illustration.  
(Use the sheet included with the lens.)

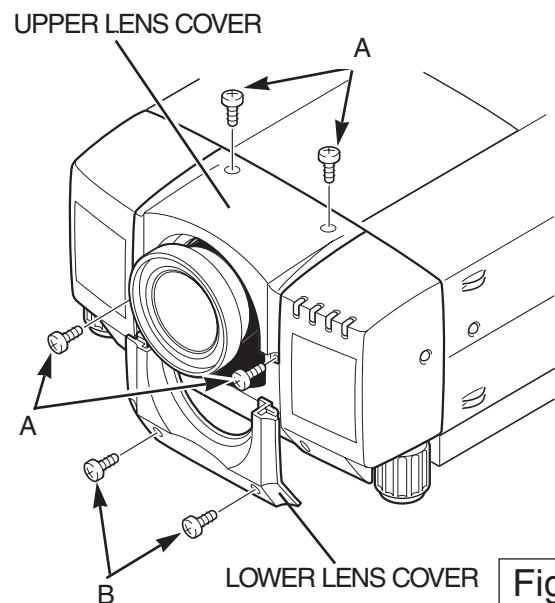


**Fig-6**

**5** MOUNT THE LENS COVER. (See figure-7)

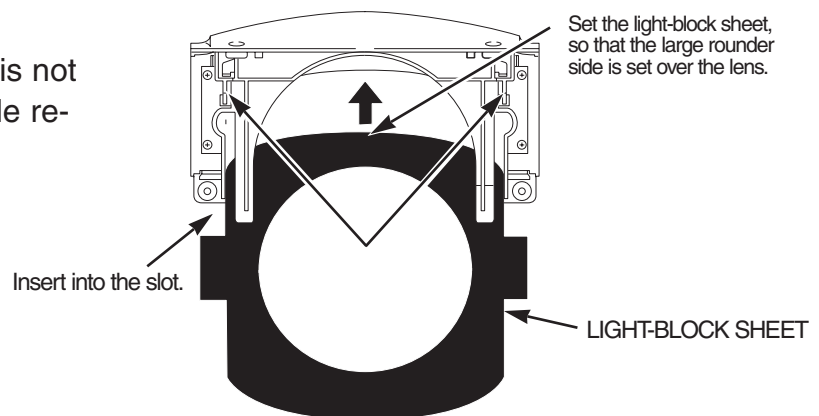
When in install the both upper and lower lens covers, put the light-block sheet through the lens and install the sheet so that it should be placed in the guide slot of the lens cover. (See figure-8) If the installation of the light-block sheet is incorrect, there will be the space between lens and the lens cover, so that it will be the cause of leakage of light or the dust entering at the main cabinet.

1. Insert the upper part lens cover and fix them with screws A (4 screws).
2. Insert the lower part lens cover and fix them with screws B (2 screws).



**Fig-7**

\*Removed lens cover in figure-2 is not used, keep the cover for possible re-use when current lens is used.



**Fig-8**