

# LCD Projector Lens Replacement Procedure

Model Number

## LNS-T10/LNS-W10/LNS-T11/LNS-W11

### Notes on Lens Replacement



Lens replacement should be performed by the qualified service personnel.

It should be followed by this procedure precisely.

Before an attempt to replace the lens, confirm the model number (both the LCD projector and the lens) and prepare the proper lens. Lens installation is different in cabinet design (Type A and B).

Before installation the lens, check cabinet design should be made. The lens cover is on the lens for protection. Be sure to remove the lens cover before installation.

When installing or removing the lens, be careful not to stain, scratch or damage the lens.

If you have any questions, contact the dealers.

### Parts List

Following parts are contained in the packing.

- LENS 1 piece
- LIGHT-BLOCK SHEET (Spare) 1 piece (Part No. 910 322 9677)  
(Except LNS-W11)

### Notes on Lens Replacement

After the lens replacement (before attaching the top cabinet), check the following things.

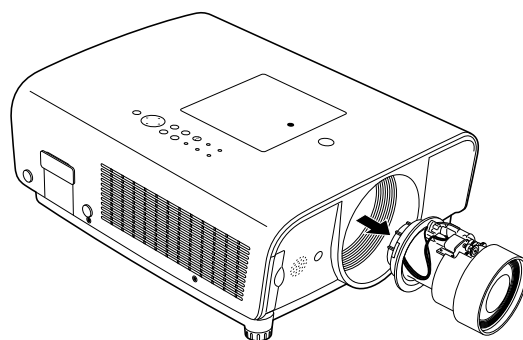
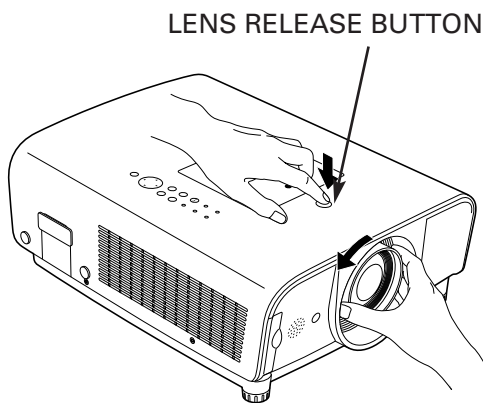
1. Check the lens is properly installed.
2. Check no wiring is tangled on the gear of the lens motor or other mechanical parts.
3. Check no parts is missing, or no mounting part is lost.

## ■ Lens Replacement Procedure (For A type Cabinet)

Perform the steps 1-2 for lens replacement.  
First set the lens at the center position with lens shift adjustment.

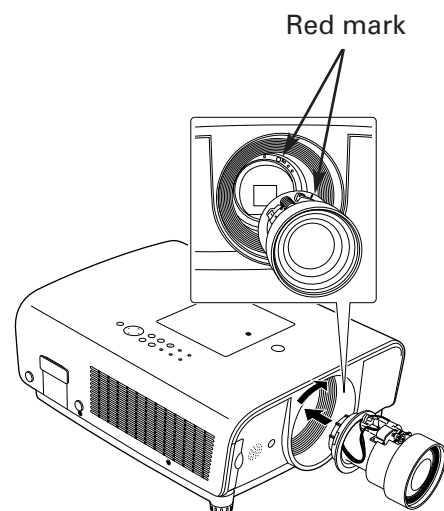
### 1 Remove the Lens

While pressing the Lens release button on the top of the cabinet, turn the lens counterclockwise until it stops and pull it out slowly from the projector.  
Be careful not to drop the lens.



### 2 Mount the Lens

1. Remove the protective caps (front and back) on the lens.
2. Insert the lens into the Lens Bracket of the projector as matching the red mark on the lens to that on the Lens Bracket.
3. Slowly turn the lens clockwise until it clicks. Make sure that the lens is fully inserted to the projector.



## ■ Lens Replacement Procedure (For B type Cabinet)

Perform the steps 1-6 for lens replacement.

First set the lens at the lowest position with lens shift adjustment.

### 1 Remove the Lens Cover and the Top Cabinet

1. Turn the Lens Cover counter-clockwise and pull it toward front to remove the Lens Cover.
2. Remove the two screws (SCREW "A") and remove the Top Cabinet.

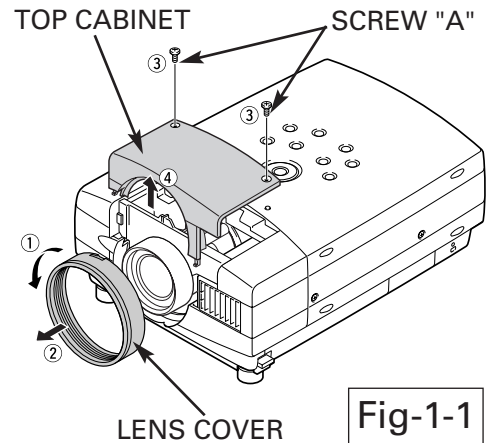


Fig-1-1

1. Pull Lens Cover toward front and remove it.
2. Remove the two screws (SCREW "A") and remove the Top Cabinet.

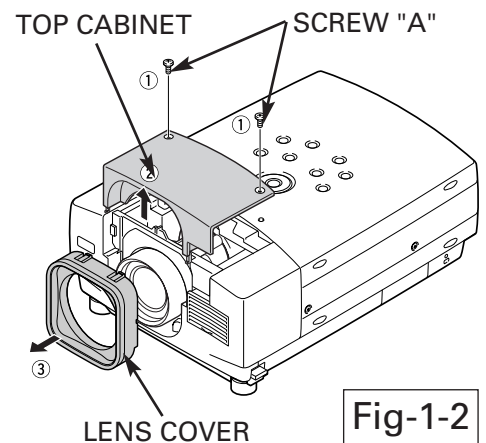


Fig-1-2

### 2 Remove the Light-Block Sheet Base

Slide the Light-Block Sheet Base upward to remove it.

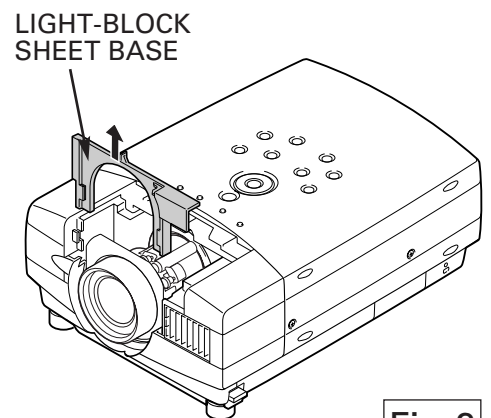


Fig-2

### 3 Remove the Lens

Push the Lens Lock Lever and turn the lens counter-clockwise (1/4 turn) and then take it out. Be careful not to drop the lens.

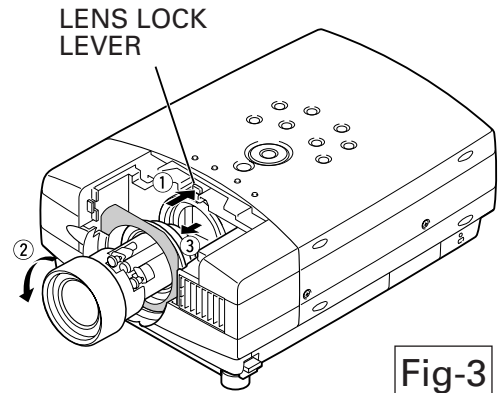


Fig-3

### 4 Mount the Lens

1. Remove the protective caps (front and back) on the lens.
2. Put the Light-Block Sheet through the lens.  
(When LNS-W11 is installed, the Light Block Sheet is unnecessary.)
3. Insert the lens into the Lens Bracket of the projector as matching the red mark on the lens to that on the Lens Bracket.
4. Turn the lens clockwise until the lens is locked with Lens Lock Lever.

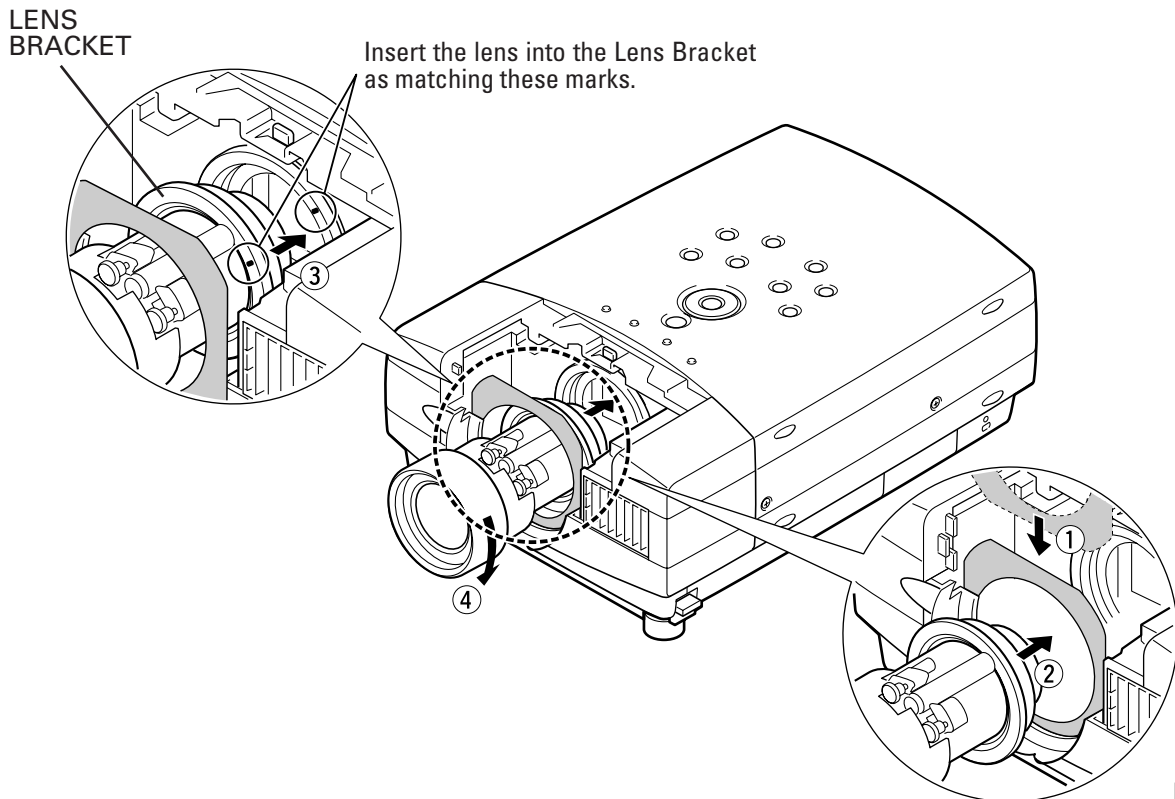


Fig-4

## 5 Mount the Light-Block Sheet Base

Mount the Light-Block Sheet Base.

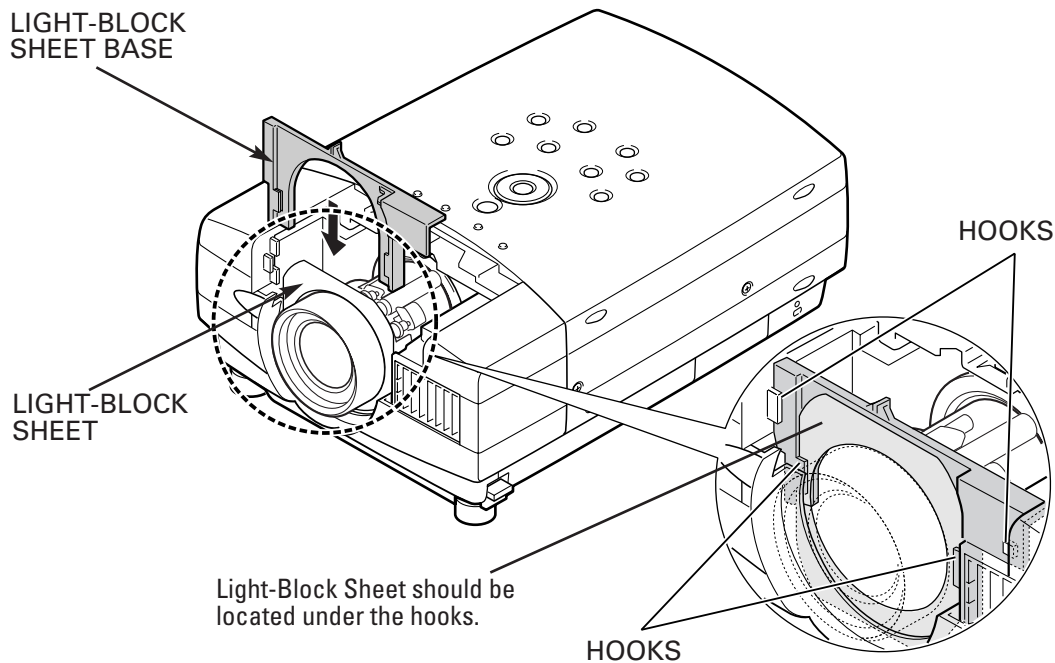


Fig-5

## 6 Mount the Top Cabinet and the Lens Cover

### For the Cabinet Fig. 6-1

1. Mount the Top Cabinet with 2 screws.
2. Mount the Lens Cover.

Position the mark "UP" of the Lens Cover on top and push into the cabinet. Turn the Lens Cover clockwise until it is securely locked. (When LNS-W11 is installed, the Lens Cover is unnecessary.)

### For the Cabinet Fig. 6-2

1. Mount the top cabinet with 2 screws.
2. Push into the Lens Cover to the Top Cabinet.

Confirm the top and bottom of the lens cover. The part circled in Fig-6-2 should be fitted. (When LNS-W11 is installed, the Lens Cover is unnecessary.)

Turn the projector on and check Lens shift, Zoom and Focus is operating properly.

If Light-Block Sheet interfere with those operations, check if the Light-Block Sheet is set properly. LNS-W11 cannot adjust the Zoom and Focus at the Remote control or the projector.

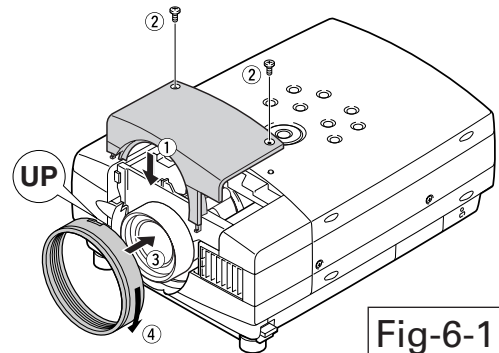


Fig-6-1

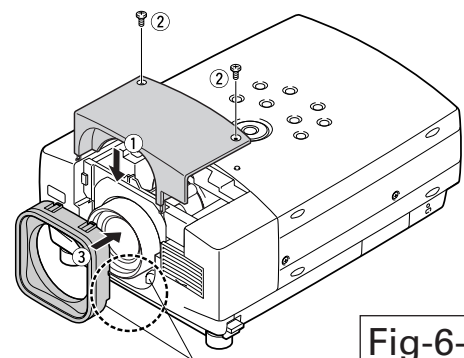


Fig-6-2

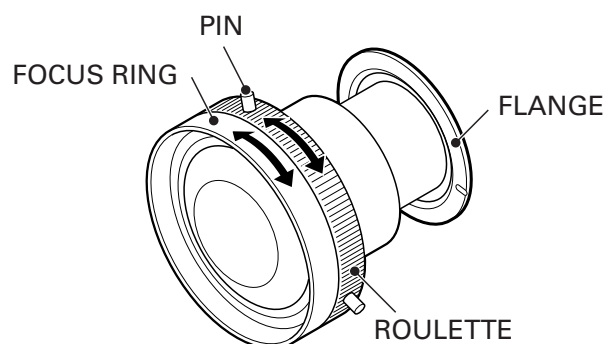
## ■ Focus Adjustment (For LNS-W11)

Set up the projector in the place where it is to be used, turn on the power and project a picture. Adjust the position of the projector to suit the projection position.

1. Turn the focus ring to adjust the focus at the center of the screen. The focus at the edges of the screen may not be as sharp as at the center of the screen.
2. If the focus cannot be set correctly at the center of the screen, it will be necessary to move the lens unit forward or back relative to the flange in order to adjust the back focus. Carry out this adjustment according to the procedure given below.
  - a. Turn the fixing roulette about 1/4 of a turn counterclockwise to release it. The roulette can be released more easily if you place the tip of your finger on the pin where the roulette is.
  - b. If the current focal point is somewhere forward of the screen, turn the focus ring clockwise; if the focal point is somewhere behind the screen, turn the focus ring counterclockwise, and then turn the precision lens unit (the focus ring and the fixing roulette) 5 degrees.
  - c. Turn the focus ring to adjust the focus at the center of the screen. (Be careful not to move the whole of the lens unit at this time.)
  - d. Repeat steps b and c until correct focus is obtained.

Note: If the lens unit is difficult to move when carrying out the above procedure, turn the fixing roulette counterclockwise a further 1/4 of a turn.

- e. Once the above adjustment is complete and the picture is in focus, turn the fixing roulette clockwise until it is tightened securely. Do this carefully, otherwise the focus may become disrupted. If the roulette is not tightened securely, it may become difficult to remove the lens during lens replacement.
3. If the focus cannot be correctly adjusted even after the above procedure has been carried out, try adjusting by carrying out the procedure given below.
    - a. Set the distance between the screen and the edge of the lens to 0.77 m and project a picture.
    - b. Turn the roulette counterclockwise to release it.
    - c. Turn the focus ring counterclockwise as far as it will go, and then move the lens unit (the focus ring and the fixing roulette) to adjust the focus at the center of the screen.
    - d. Check that the focus at the center of the screen is correct, and then turn the fixing roulette clockwise until it is tightened securely. Check that the focus ring is still turned counterclockwise as far as it will go at this time.
    - e. Return the projector to its original setup location and repeat steps 1 and 2 to adjust the focus.



NOTE: Please remove 3 pins when you install it in the cabinet of B type.