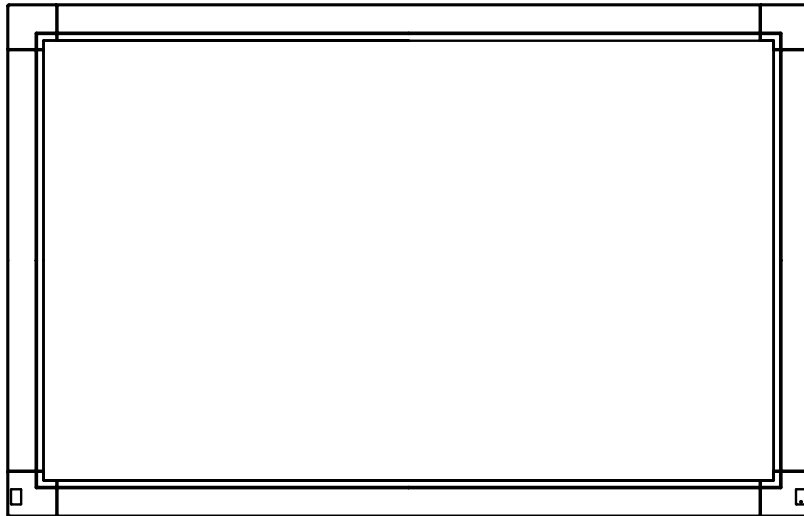




INSTRUCTION MANUAL

PLL405WP-B0X1

**40inch Multimedia LCD monitor
with Network-PC**



FCC DECLARATION OF CONFORMITY

This device complies with Part 15 of the FCC Rules. Operation is subject to the following two conditions: (1) This device may not cause harmful interference, and (2) this device must accept any interference received, including interference that may cause undesired operation.

This device has been tested and found to comply with the limits for Class A Personal Computers and peripherals, pursuant to Part 15 of the FCC Rules. These limits are designed to provide reasonable protection against harmful interference when the device is operated in a residential environment. This device generates, uses and can radiate radio frequency energy, and if not installed and used in accordance with the instructions, may cause harmful interference to radio communications. Operation of this device in a residential area is likely to cause harmful interference in which case the user will be required to correct the interference at his own expense.

CAUTION

Changes or modifications not expressly approved by manufacturer could void the users authority to operate the device under FCC compliance regulations.

CANADIAN NOTICE

This Class A digital apparatus complies with Canadian ICES-003.

Cet appareil numérique de la classe A est conforme à la norme NMB-003 du Canada.

CE MARKING DECLARATION OF CONFORMITY

This LCD monitor complies with the requirements of the EC Directive 89/336/EEC "EMC Directive" and 73/23/EEC "Low Voltage Directive" as amended by Directive 93/68/EEC.

WARNING

This is a class A product. In a domestic environment this product may cause radio interference in which case the user may be required to take adequate measures.

- We reserve the right to change specifications without notice.
- All trademarks used in this user manual are the property of their respective owners.
- This manual is printed on recycled paper.

TABLE OF CONTENTS

FOR YOUR SAFETY	1
SAFETY PRECAUTIONS	1
SPECIAL NOTES ON LCD MONITORS	3
CLEANING	3
BEFORE YOU OPERATE THE MONITOR	4
FEATURES	4
CHECKING THE CONTENTS OF THE PACKAGE	4
INSTALLATION	5
CONTROLS AND CONNECTORS	6
CONNECTING YOUR MONITOR	7
BASIC OPERATION	8
TROUBLE SHOOTING	9
APPENDIX	10
SPECIFICATIONS	10
DIMENSIONS	11
CONNECTOR PIN ASSIGNMENT	11

FOR YOUR SAFETY

SAFETY PRECAUTIONS

WARNING

STOP OPERATING THE MONITOR WHEN YOU SENSE TROUBLE

If you notice any abnormal phenomena such as smoke, strange sounds or fumes, unplug the monitor and contact your dealer immediately. Further use may be dangerous and can cause fire or electric shock.

NEVER REMOVE THE CABINET

High voltage circuits are inside the monitor. Removing the cabinet may expose you to the danger of fire or electric shock.

DO NOT PUT ANY OBJECT INTO THE MONITOR

Do not put any solid objects or liquids such as water into the monitor. In case of an accident, unplug your monitor immediately and contact your dealer. Using the monitor with any object inside may cause fire, electric shock or damage.

INSTALL THE MONITOR ON A FLAT, STABLE SURFACE

The monitor may cause an injury if it falls or is dropped.

DO NOT USE THE MONITOR NEAR WATER

Do not use where water may be splashed or spilt onto the monitor as it may cause fire or electric shock.

OPERATE UNDER THE SPECIFIED POWER SUPPLY

Be sure to operate the monitor only with the specified power supply. Use of an incorrect voltage will cause malfunction and may cause fire or electric shock.

PROTECT THE CABLES

Do not pull or bend the power cable and signal cable. Do not place the monitor or any other heavy objects on the cables. If damaged, the cables may cause fire or electric shock.

ADVERSE WEATHER CONDITIONS

It is advisable not to operate the monitor during a heavy thunder storm as the continual breaks in power may cause malfunction. It is also advised not to touch the plug in these circumstances as it may cause electric shock.

CAUTION

INSTALLATION LOCATION

Do not install the monitor where sudden temperature changes may occur, or in humid, dusty or smoky areas as it may cause fire, electric shock or damage. You should also avoid areas where the sun shines directly on the monitor.

DO NOT PLACE THE MONITOR IN A HAZARDOUS POSITION

The monitor may topple and cause injury if not suitably located. Please also ensure that you do not place any heavy objects on the monitor, and that all cables are routed such that children may not pull the cables and possibly cause injury.

MAINTAIN GOOD VENTILATION

Ventilation slots are provided to keep the monitor from overheating. Covering the slots may cause fire. To allow adequate air circulation, place the monitor at least 10 cm (or 4 inches) from any walls. Ventilation slots on the back of the cabinet will be blocked and the monitor may overheat if the stand is removed. This may cause fire or damage. Operating the monitor on its back, side, upside down or on a carpet or any other soft material may also cause damage.

DISCONNECT THE CABLES WHEN YOU MOVE THE MONITOR

When you move the monitor, turn off the power switch, unplug the monitor and be sure the signal cable is disconnected. If you do not disconnect them, it may cause fire or electric shock. It is recommended that two people are used when moving the monitor.

UNPLUG THE MONITOR

If the monitor is not in use for a long period of time it is recommended that it is left unplugged to avoid accidents.

HOLD THE PLUG WHEN DISCONNECTING

To disconnect the power cable or signal cable, always pull it by the plug. Never pull on the cable itself as this may cause fire or electric shock.

DO NOT TOUCH THE PLUG WITH WET HANDS

Pulling or inserting the plug with wet hands may cause electric shock.

DO NOT TURN ON AND OFF THE POWER FREQUENCY

Do not alternate between turning the power ON and OFF frequency as it may cause damage.

OTHERS

ERGONOMIC RECOMMENDATIONS

To eliminate eye fatigue, do not operate the monitor against a bright background or in a dark room. When using the monitor over a prolonged time, a ten minute break every hour is recommended as looking at the screen continuously can cause eye strain.

SPECIAL NOTES ON LCD MONITORS

The following symptoms are normal with LCD monitors and do not indicate a problem.

NOTE

- When you first turn on the LCD monitor, the picture may not fit in the display area because of the type of computer that is used. In this case, adjust the picture position to its correct position.
- Due to the nature of the backlight, the screen may flicker during initial use. Turn off the Power Switch and then turn it on again to make sure the flicker disappears.
- You may find slightly uneven brightness on the screen depending on the desktop pattern you use.
- Due to the nature of the LCD screen, an afterimage of the previous screen may remain after switching the image, when the same image is displayed for hours. In this case, the screen is recovered slowly by changing the image or turning off the Power Switch for hours. There is the possibility that the previous screen has been fixed. Pay attention sufficient when you use LCD Monitor.
- Contact your dealer for the backlight replacement when the screen is dark, flickering or not lighting up. Never attempt to replace it by yourself.

CLEANING

WARNING

- If you drop any materials or liquids such as water into the monitor when cleaning, unplug the power cable immediately and contact your dealer.

CAUTION

- For safety reasons, turn off the power switch and unplug the monitor before you clean it.

NOTE

- To protect the LCD panel, do not scratch or rub the screen with a hard object.
- Never use any of the following strong solvents. These will damage the cabinet and the LCD screen.

Thinner	Spray-type cleaner
Benzine	Wax
Abrasive cleaner	Acid or Alkaline solvent

- Touching the cabinet with any product made from rubber or plastic for a long time may cause degeneration or loss of paint on the cabinet.

CABINET

Stains can be removed with a cloth lightly moistened with a mild detergent solvent. Then wipe the cabinet with a soft dry cloth.

LCD

Periodic cleaning with a soft dry cloth is recommended.

SCREEN

Don't use tissue paper etc. because these will damage the LCD screen.

BEFORE YOU OPERATE THE MONITOR

FEATURES

- ◆ 39.6" Wide Screen TFT Color LCD Monitor
- ◆ Supports Resolutions up to 1280 × 768
- ◆ Super Wide Viewing Angle, High Brightness and High Contrast
- ◆ Integrated PC platform
- ◆ LAN interface connection
- ◆ Operating System: Windows® Professional
- ◆ Pivot function is available for portrait screen style mounting

CHECKING THE CONTENTS OF THE PACKAGE

The following accessories are included in your package. Check to see if they are enclosed with the monitor.

- Power Cable*
 - Recovery CD-ROM
 - Instruction Manual
 - Sample: Pivot® software / VIA Driver (CD)
 - Pivot®: This software enables to rotate the orientation of the screen to display in portrait or landscape mode.
- Consult english.txt in CD-ROM for installation.

CAUTION

* Check the rating of the Power Cable enclosed is as follows.

- 120V area : 10A/125V
- Higher than 120V area : 10A/250V

INSTALLATION

CAUTION

- The monitor is heavy. Two person handling is recommended.
- Install the stand on a stable surface. The monitor may cause injury or damage if it falls or is dropped.
- Do not give a strong impact to the monitor. It may cause damage.
- Unplug the monitor before installation to avoid electric shock or damage.

PROCEDURE AND CONDITIONS FOR MONITOR INSTALLATION

Follow the instructions below when installing the monitor to the wall.

① Environmental temperature and humidity for installation:

Please be sure that an environmental temperature and humidity DO NOT exceed the range described in the page 10 SPECIFICATIONS.

② Size of screw

- M6
- Length: After fasten the bracket with screws, the length of screw in the monitor should be more than 10-15mm.
- Position: more than 6 points

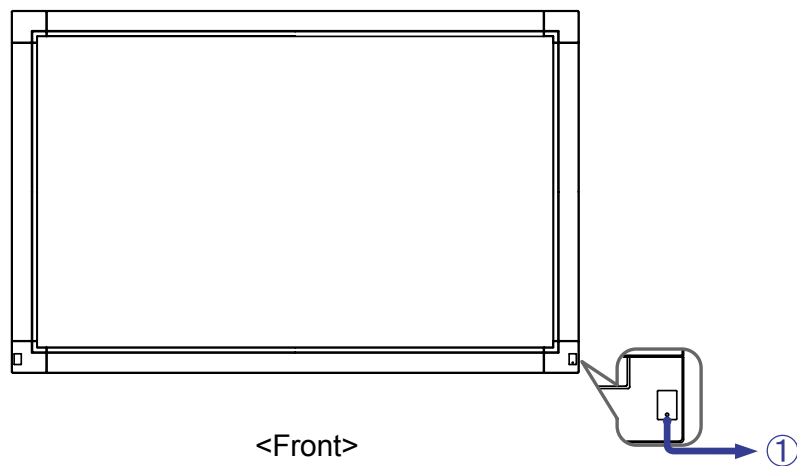
NOTE

ATTENTION TO THE PORTRAIT INSTALLATION

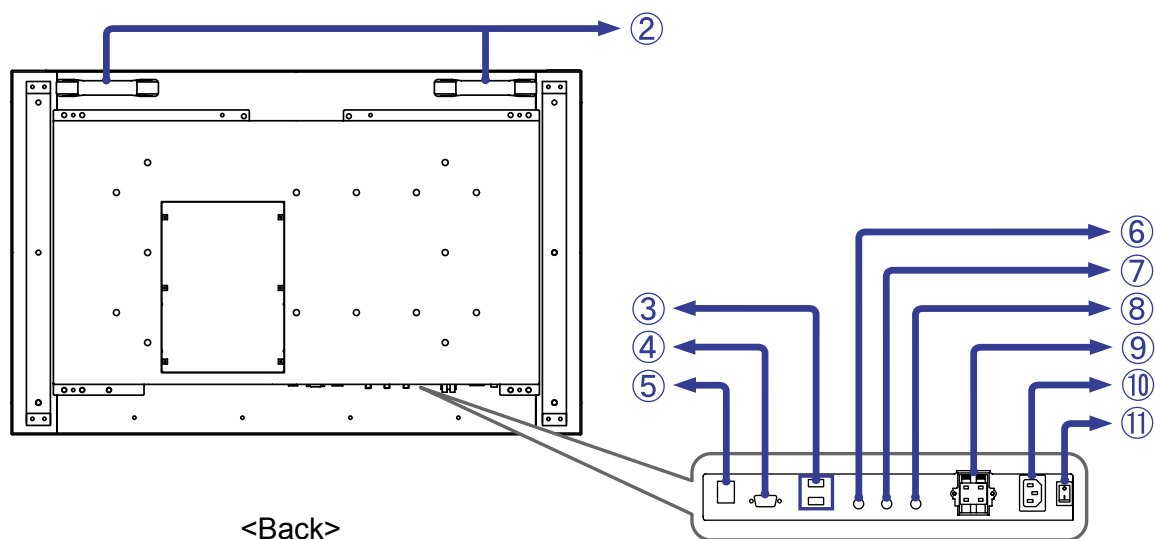
For portrait installation, place the panel with rotating it 90 degrees in a counterclockwise direction.



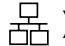
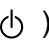
Placing the panel with rotating it 90 degrees clockwise may cause damage to the screen.

CONTROLS AND CONNECTORS



① Power Indicator



- ② Handles
- ③ USB Connector 2Port ()
- ④ RS-232C Connector ( COM2)
- ⑤ LAN Connector ()
- ⑥ Soft Off Button ()
- ⑦ Brightness Knob (BRIGHTNESS)
- ⑧ Volume Knob (VOLUME)
- ⑨ External Speaker Output Terminal (SPEAKER)
- ⑩ AC Connector (AC IN)
- ⑪ Main Power Switch (POWER)

CONNECTING YOUR MONITOR

- ① Ensure that both the computer and the monitor are switched off.
- ② Connect the computer to the monitor with the LAN cable. (See page 11 for CONNECTOR PIN ASSIGNMENT.)
- ③ Connect the RS-232C cable to the computer while using the RS-232C control feature. (See page 11 for CONNECTOR PIN ASSIGNMENT.)

NOTE ■ This Serial Port is COM2.

- ④ Connect the monitor to the USB compliant computer with the USB cable when using the USB hub features. (See page 11 for CONNECTOR PIN ASSIGNMENT.)
- ⑤ Connect the monitor to the speakers with the Speaker Cable when using the speakers.

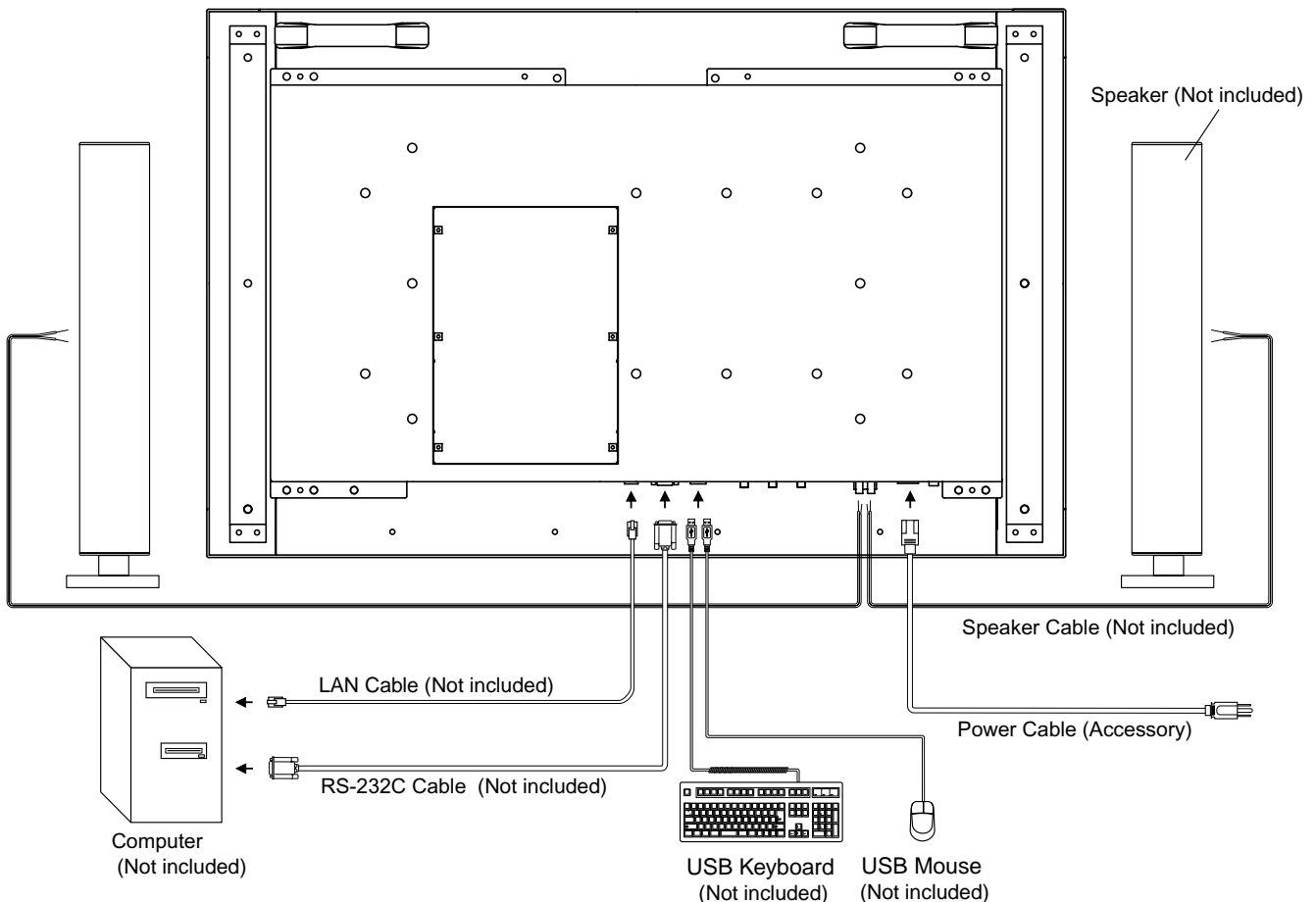
NOTE ■ When connecting speakers, rating of speaker should be 10W (4Ω) or equivalent.

- ⑥ Connect the Power Cable to the monitor first and then to the power supply.

NOTE ■ The signal cables used for connecting the computer and monitor may vary with the type of computer used. An incorrect connection may cause serious damage to both the monitor and the computer.

■ Make sure you tighten the finger screws at each end of the signal cable.

[Example of Connection]



BASIC OPERATION

■ Main Power Switch

Turns the AC power to the monitor ON and OFF.

■ Soft OFF Button

Turns the DC power of the digital circuits ON and OFF.

■ BRIGHTNESS ADJUSTMENT

- Too dark : Turn the BRIGHTNESS Knob in a clockwise.
- Too bright : Turn the BRIGHTNESS Knob in a counterclockwise.

■ VOLUME ADJUSTMENT

- Too soft : Turn the VOLUME Knob in a clockwise.
- Too loud : Turn the VOLUME Knob in a counterclockwise.

■ Windows® Product Activation

License from Microsoft® the right to activate the Windows® Product.

TROUBLE SHOOTING

If the monitor fails to operate correctly, please follow the steps below for a possible solution.

If you are experiencing a problem which is not described below or you cannot correct the problem, discontinue using the monitor and contact your dealer for further assistance.

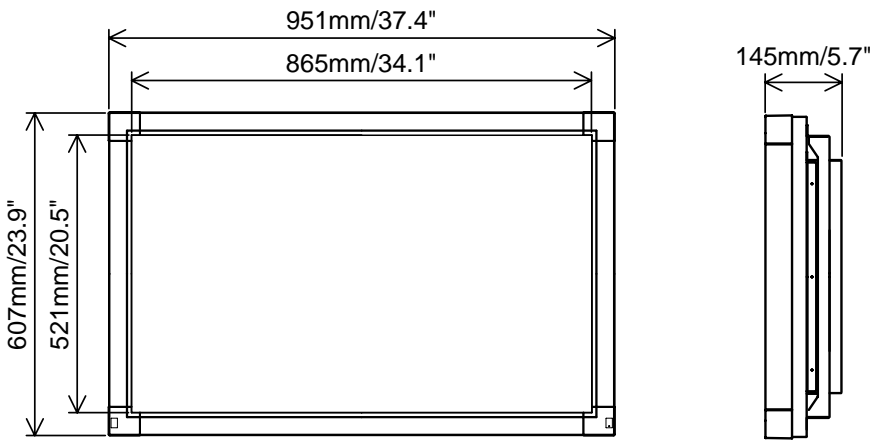
Problem	Check
① The picture does not appear. (Power indicator does not light up.)	<input type="checkbox"/> The Power Cable is firmly seated in the socket. <input type="checkbox"/> The Power Switch is turned ON. <input type="checkbox"/> The AC socket is live. Please check with another piece of equipment.
② The screen is shaking.	<input type="checkbox"/> The power voltage is within the specification of the monitor.

APPENDIX

SPECIFICATIONS

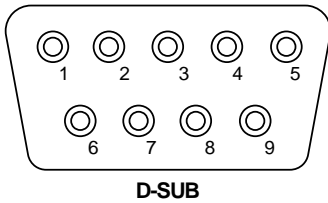
LCD Panel	Resolution	1280 × 768
	Driving system	a-Si TFT Active Matrix
	Diagonal Size	100.5cm / 39.6"
	Active viewing area	862.080mm W × 517.248mm H / 33.9" W × 20.4" H
	Pixel pitch	0.6735mm H × 0.6735mm V
	Brightness	450cd/m ² (Typical)
	Contrast ratio	700 : 1 (Typical)
	Viewable angle	Right / Left / Up / Down: 85 degrees each
	Response time	22ms (Black, white, black)
	Display Colors	16,777,216 maximum
PC	Processor	VIA C3 / EDEN EPGA (1GHz)
	Chipset	North Bridge: VIA CLE266 South Bridge: VT8235
	System Clock	266MHz
	Memory Module	DDR 512 SODIMM
	Storage	40GB 2.5inch HDD
	Graphic	Integrated VIA UniChrome AGP
	Support Video Mode	1280 × 768 (WXGA)
	Audio	VT1612A, two-Channel
	OS	Windows XP Professional (English)
I/O Ports	LAN Ports	10/100 Base-T : RJ45 8pin
	USB Ports	USB. 2.0 / 1.1 : Series A 4pin x 2
	Serial Ports	COM2 : D-sub 9pin
	Audio Output	10W × 2 (Stereo) Speaker output terminal
Others	Power Source	100-230VAC, 50/60Hz, 2.8-1.3A
	Power Consumption	250W
	Dimensions	951 × 607 × 145mm / 37.4 × 23.9 × 5.7" (W×H×D)
	Net Weight	32kg / 70.5lbs
	Environmental Considerations	Operative temperature: 5 to 35°C / 41 to 95°F Storage temperature: -20 to 60°C / -4 to 140°F Humidity: 35-85% maximum (No condensation)
	Approvals	UL, CSA, CE, FCC-A,

DIMENSIONS



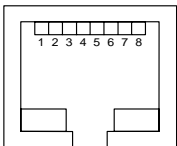
CONNECTOR PIN ASSIGNMENT

COM2 RS-232C (D-SUB 9pin) Connector



Pin	Signal	Pin	Signal
1	DCD (Data Carry Detect)	6	DSR (Data Set Ready)
2	RxD (Receive Data)	7	RTS (Request To Send)
3	TxD (Transmit Data)	8	CTS (Clear To Send)
4	DTR (Data Terminal Ready)	9	RI (Ring Indicate)
5	Ground		

LAN Connector



Pin	Signal	Pin	Signal
1	Transmit +	5	NC
2	Transmit -	6	Receive -
3	Receive +	7	NC
4	NC	8	NC

USB 4pin Connector Series:A

Pin	Signal
1	VDD
2	Data -
3	Data +
4	Ground



SANYO Electric Co., Ltd.

Part No. 870Z281A02R