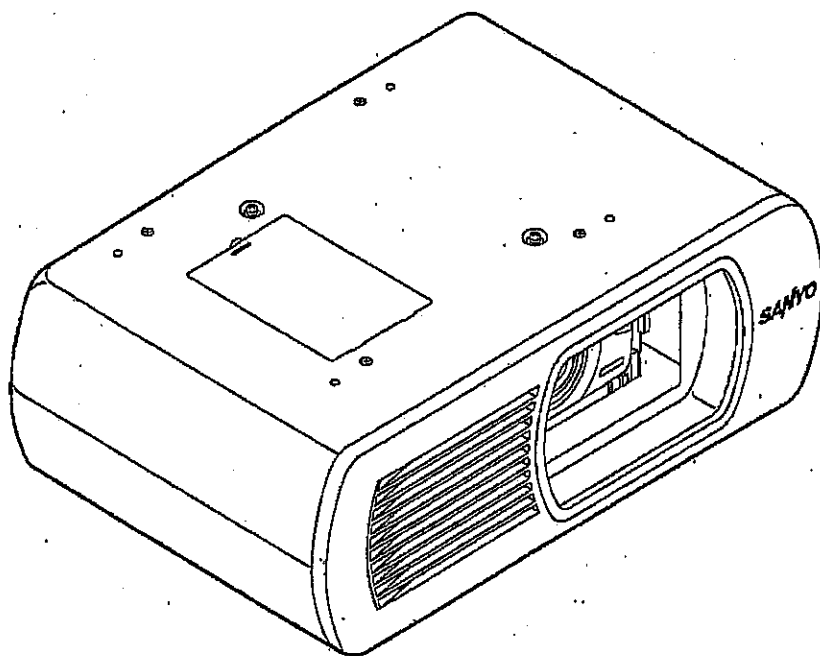


**SANYO**

---

**Smoke Resistant Unit**

**MODEL POA-SP-SU30**







**Owner's Manual**

## TO THE OWNER

Before operating this Smoke Resistant Unit, read this manual thoroughly and operate the Smoke Resistant Unit properly. And also this manual explains only Smoke Resistant Unit, so explanation of the Projector is to read the Owner's Manual of the Projector.

Keep it with the guarantee in the place where it can be always taken out after you read it surely. It is useful when it isn't sometimes understood.

Note: Smoke Resistant Unit is only for the Projector type PLC-SU30/XU30/XU35.

	<b>CAUTION</b> <b>RISK OF ELECTRIC SHOCK</b> <b>DO NOT OPEN</b>	
<b>CAUTION : TO REDUCE THE RISK OF ELECTRIC SHOCK, DO NOT REMOVE COVER (OR BACK). NO USER-SERVICEABLE PARTS INSIDE EXCEPT LAMP REPLACEMENT. REFER SERVICING TO QUALIFIED SERVICE PERSONNEL.</b>		
	THIS SYMBOL INDICATES THAT DANGEROUS VOLTAGE CONSTITUTING A RISK OF ELECTRIC SHOCK IS PRESENT WITHIN THIS UNIT.	
THIS SYMBOL INDICATES THAT THERE ARE IMPORTANT OPERATING AND MAINTENANCE INSTRUCTIONS IN THE OWNER'S MANUAL WITH THIS UNIT.		



**CAUTION :** Don't install it on the ceiling which an unstable ceiling and a support member are not in. There is danger of the drop, and causes an accident.



**CAUTION :** Don't block Air Intake Vents and Exhaust Vents.  
When Air Intake Vents and an Exhaust Vents are blocked, enough cooling can't be done any more, and it causes a fault or a fire.



**CAUTION :** Don't install it in the location that air flow is severe in the cooling wind outlet of the air-conditioner and the opening window.  
Wind flows to Exhaust Vents of this opportunity backward, and effect on cooling fades away, and causes a fire and an electric shock.



**CAUTION :** Don't damage a Lens.  
It causes the accident.

Note:

Each warning, caution in safety mentions are different from the Projector.

Be sure to read Projector Owner's Manual before you use Smoke Resistant Unit.

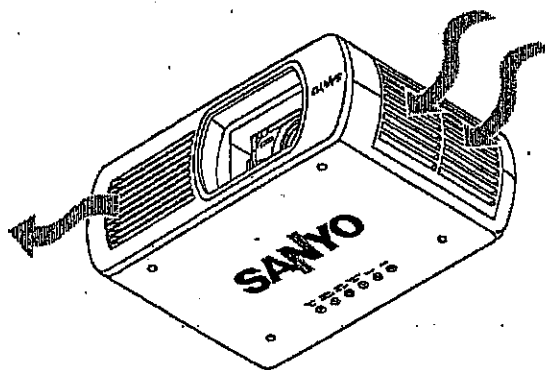
## TABLE OF CONTENTS

FEATURES .....	3
PREPARATION .....	4
ACCESSORIES .....	4
PARTS NAME .....	4
INSTALLATION .....	5
PRECAUTION BEFORE INSTALLATION .....	5
PROCEDURE OF INSTALLATION .....	5
CONNECTION AND INDICATION .....	8
CABLE CONNECTION .....	8
INDICATORS DISPLAY .....	8
REPLACEMENT .....	9
AIR FILTER REPLACEMENT .....	9
LAMP REPLACEMENT .....	9
APPENDIX .....	10
MAINTENANCE .....	10
TROUBLESHOOTING .....	10
DIMENSIONS .....	11
SPECIFICATIONS .....	11

## FEATURES

Smoke Resistant Unit has these features as following.

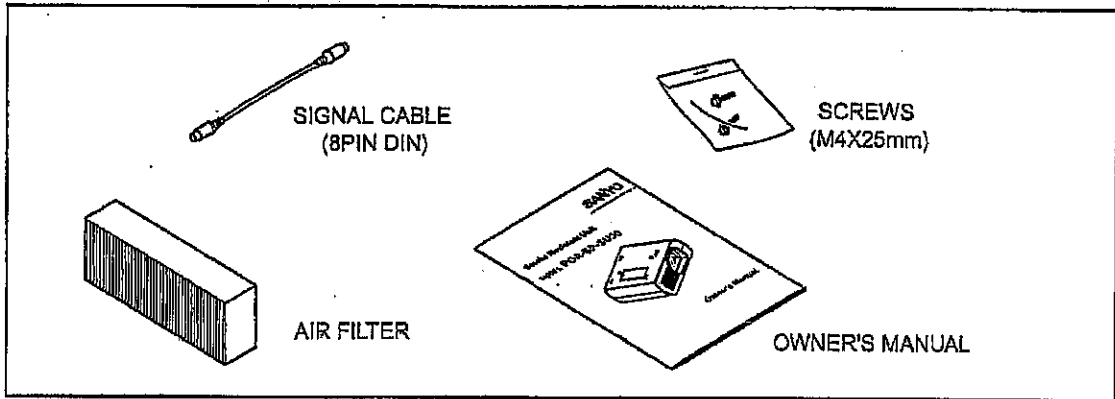
- Smoke Resistant Unit has two Blowers inside, and refrigerates projector body of the lens side in front and the back side efficiently.
- It is excellent in the dust collection efficiency, and a long time can be used because a dedicated Air Filter is installed.
- It is excellent in silence because a Rotary Fan is installed.
- Installation to the ceiling is easy with the dedicated metal fittings, too.



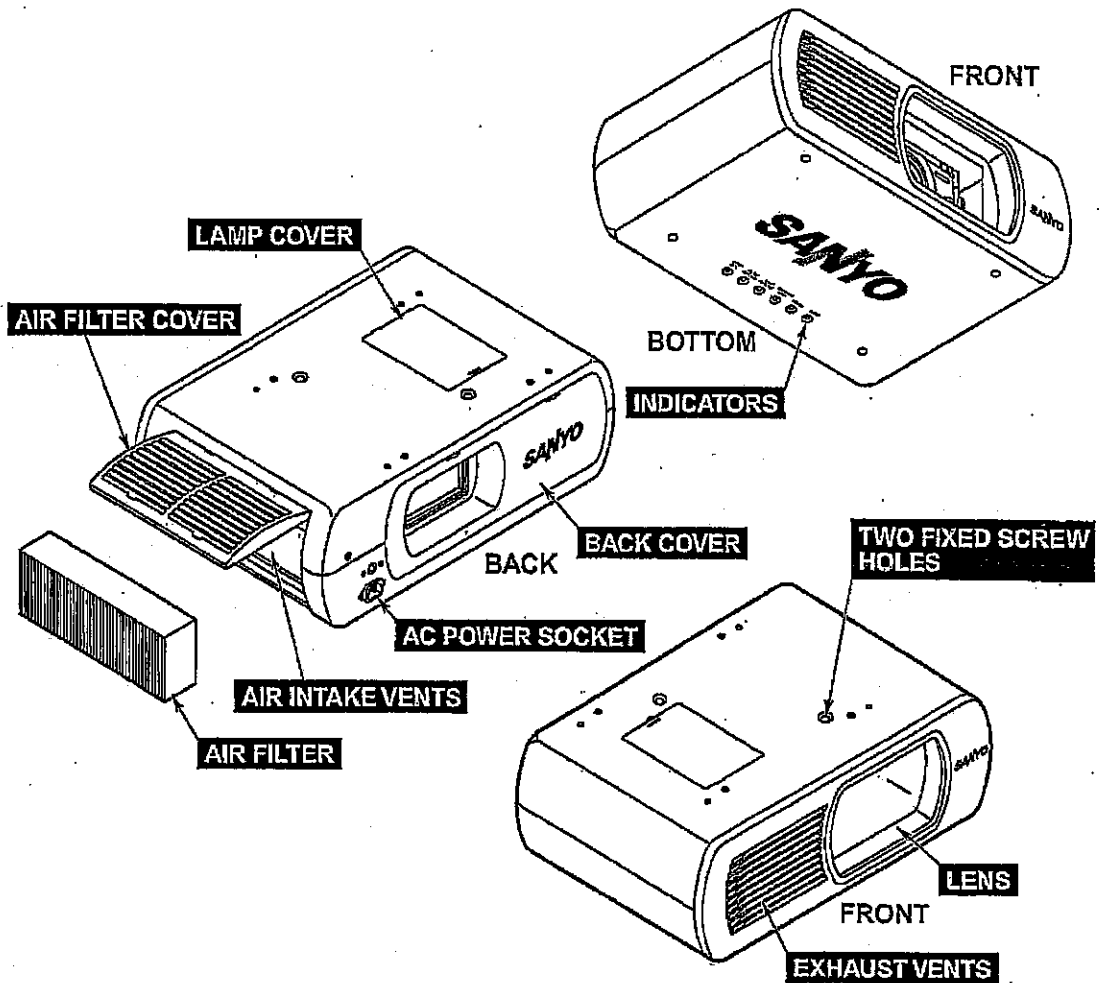
# PREPARATION

## ACCESSORIES

Confirm whether Accessories are gathered.



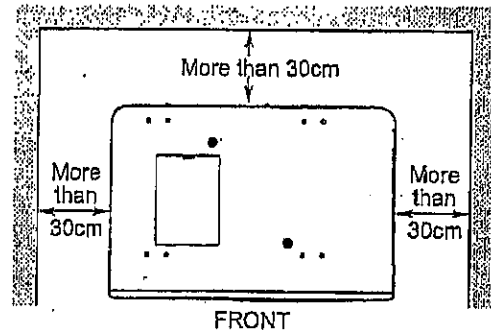
## PARTS NAME



# INSTALLATION

## PRECAUTION BEFORE INSTALLATION

- 1 Refer to the Projector Owner's Manual for the installation distance.  
Confirm the distance to the Lens from the screen.
- 2 Choose location to be at 90 degree to the screen.  
Refer to the Projector Owner's Manual for the details.  
The screen of the picture warps if it is not at 90 degree to the screen.
- 3 Secure the space of the right figure when you install it.



**WARNING: DON'T BLOCK AIR INTAKE VENTS, EXHAUST VENTS.**

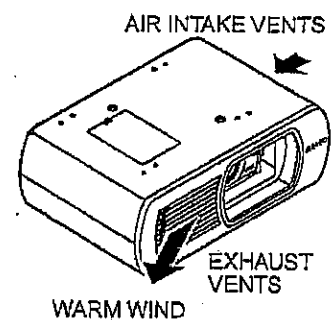
When Air Intake Vents and Exhaust Vents are blocked, enough cooling can't be done any more, and it causes a fault or a fire.



**CAUTION: CAUTION OF THE WARM WIND OF THE EXHAUST VENTS.**

Warm wind blows from the Exhaust Vents. Don't put next goods on a warm wind to hit it.

- Don't put a spray can. Pressure inside the can progresses by the heat, and causes an explosion.
- Don't put a metal. It becomes high temperature, and they become an accident and the cause of the Injury.
- Don't put a foliage plant.
- Don't put goods transformed by the heat, and goods which it suffers a bad influence.

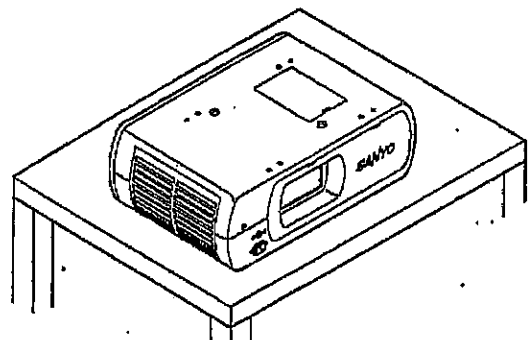


## PROCEDURE OF INSTALLATION

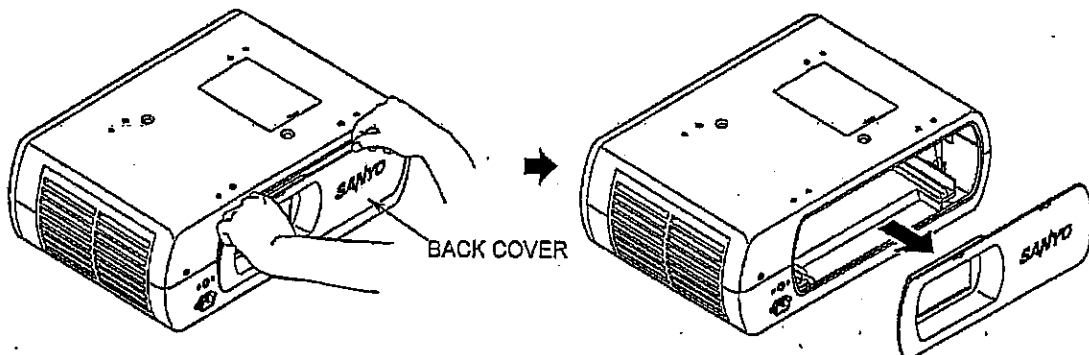
- 1 Take out Smoke Resistant Unit from the packing box. Then, put it on the flat desk.



Don't put a protrusion under Smoke Resistant Unit. The bottom surface is damaged, and Indicators are damaged.



- 2 Hold the surface of the Back Cover by hand, and hold it to the bottom, and remove it in the arrow direction.

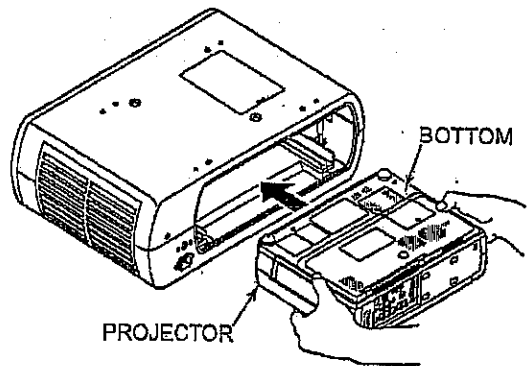


# INSTALLATION

- 3 Make top and bottom of the Projector opposite, and put it in Smoke Resistant Unit.



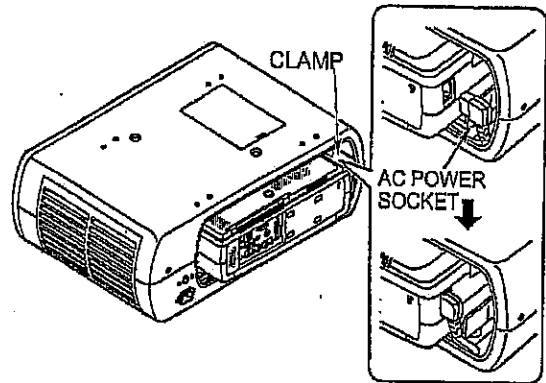
**CAUTION:** Don't put a model except for the Projector type PLC-SU30/XU30/XU35 in this Smoke Resistant Unit. It causes a fire or a trouble.



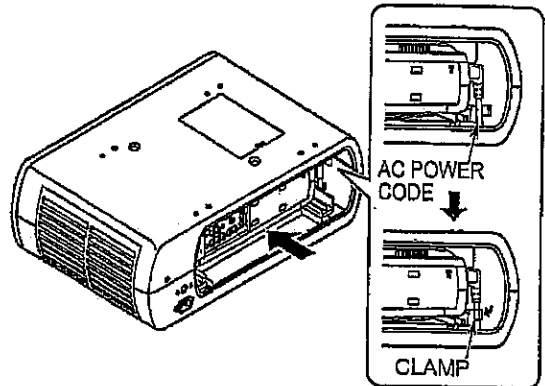
- 4 Remove the AC Power Code from the Clamp if about 2/3 comes in. Then, insert the AC Power Socket in the Socket of the Projector.



Insert the AC Power Socket firmly. The life of the machine is likely to be shortened in the cause by the contact defect.



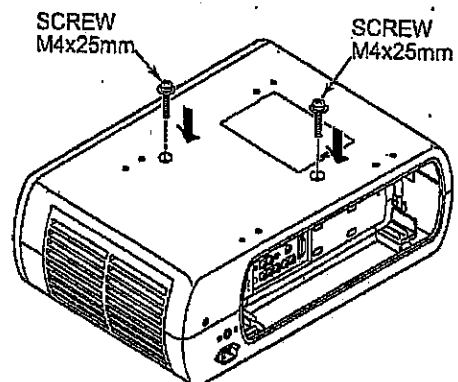
- 5 Fix the AC Power Code with the Clamp after you push it in to the back.



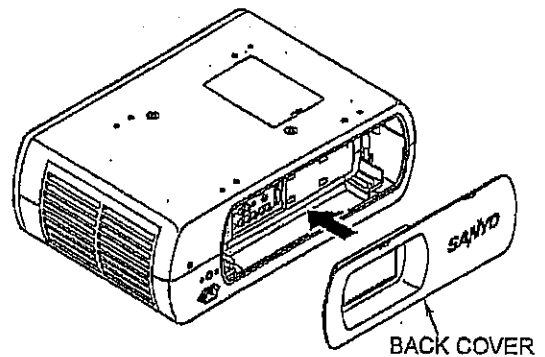
- 6 Fix the Projector with two attached M4 Screws.



Fix the Projector with two M4 Screws securely.



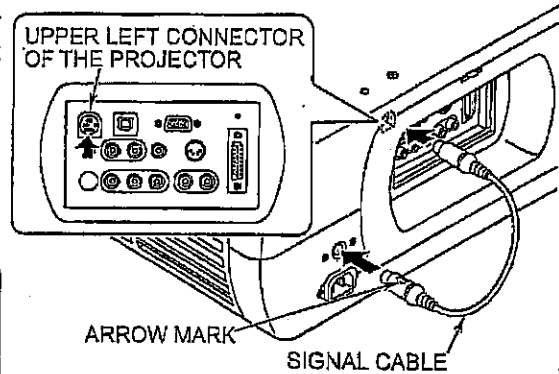
- 7 Confirm that the Projector was fixed firmly, and install a Back Cover.



- 8 Insert a Signal Cable in the connector of the upper left connector of the Projector and Smoke Resistant Unit.

The Insertion direction of the connector is as following.

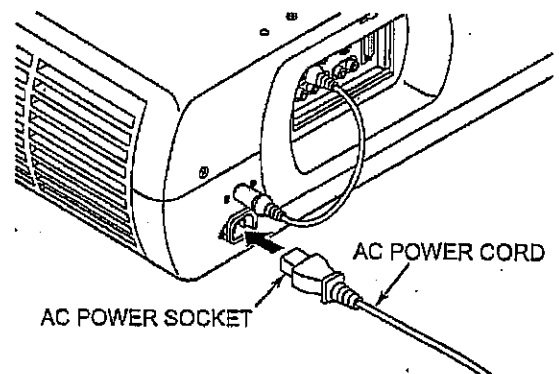
The Arrow Mark of the Connector is a bottom side on the Projector side. The Arrow Mark of the Connector is an upside on the Smoke Resistant Unit side.



Insert the Connector of the Signal Cable firmly to the back. When insertion is insufficient, indicators have the possibility that it isn't indicated.

- 9 Insert the AC Power Socket in the connector of Smoke Resistant Unit.

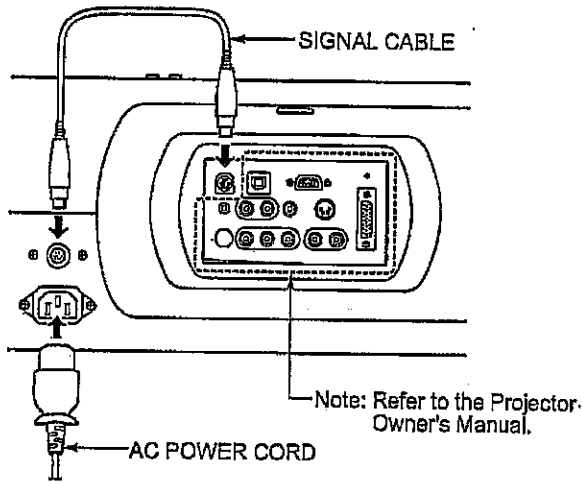
AC Power Cord is to use Projector Accessories. Refer to the Projector Owner's Manual for the connection of other Signal Cables.



Insert the AC Power Socket firmly. The life of the machine is likely to be shortened in the cause by the contact defect.

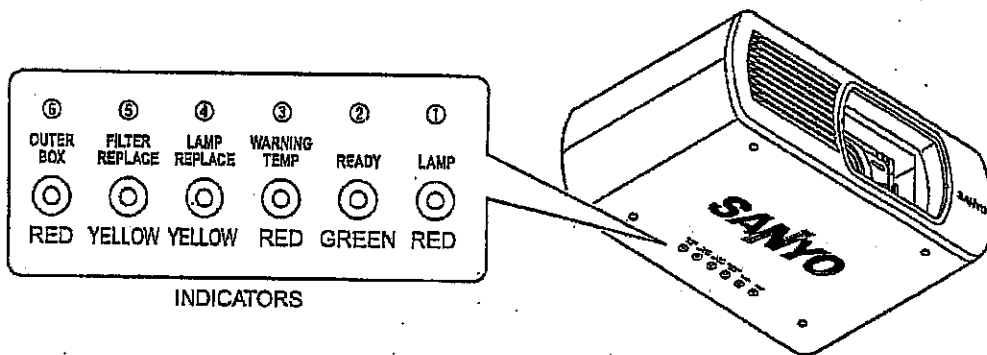
## CABLE CONNECTION

Confirm the connection of each Code and Cable of the Smoke Resistant Unit back after the installation.



## INDICATORS DISPLAY

Indicators show Projector condition and the Smoke Resistant Unit condition by lighting and blinking.



- ① LAMP ..... Red is turned on when the AC Power Code of the Projector is connected.
- ② READY ..... Green is turned on when the preparation which it turns on the Projector to can be done.
- ③ WARNING TEMP ..... Red blink when inside temperature of the Projector is too high.
- ④ LAMP REPLACE ..... Yellow is turned on when the replacement time of the Lamp of the Projector comes.
- ⑤ FILTER REPLACE ..... Yellow is turned on when the Air Filter replacement time of Smoke Resistant Unit comes.
- ⑥ OUTER BOX ..... Red is turned on when the Fan of Smoke Resistant Unit becomes unusual.

Note: Refer to the Projector Owner's Manual for the indication details of ① to ④  
Resetting is to plug in and out of an AC Power Code.

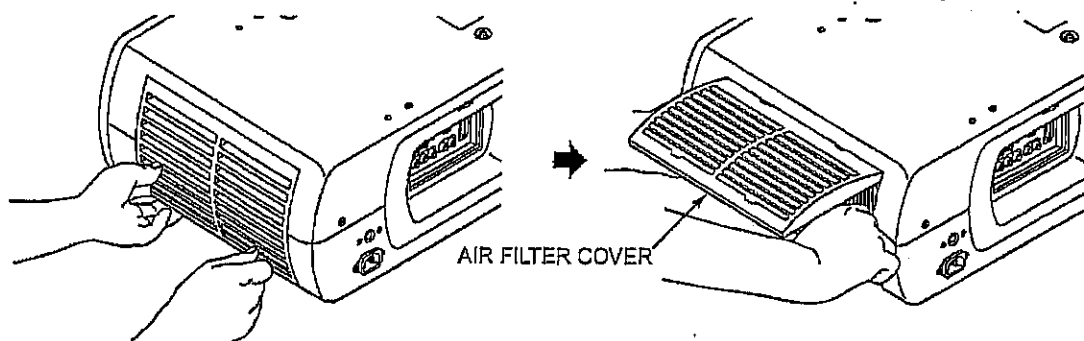


## AIR FILTER REPLACEMENT

Replacement Air Filter can be ordered through your dealer. When ordering the Air Filter, give the following information to the dealer.

- Model No. of your Smoke Resistant Unit : POA-SP-SU30
- Replacement Air Filter type No. : POA-FIL-SU30 (~~Service Parts No. 816-208-9448~~)

- 1 Hold the bottom side of the Air Filter cover by hand, and pull it up. It opens about 90 degree.



- 2 Take out the old Air Filter, and replace it for the new Air Filter.

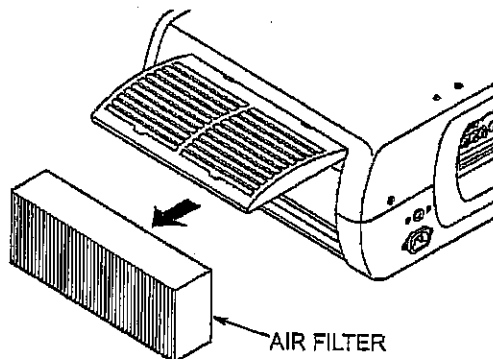


**CAUTION:** The Air Filter for the replacement is to use designated quality. When this except for the designated quality is set, it become the trouble or the cause of the accident.

- 3 Close the Air Filter cover with the contrary process that it was opened.

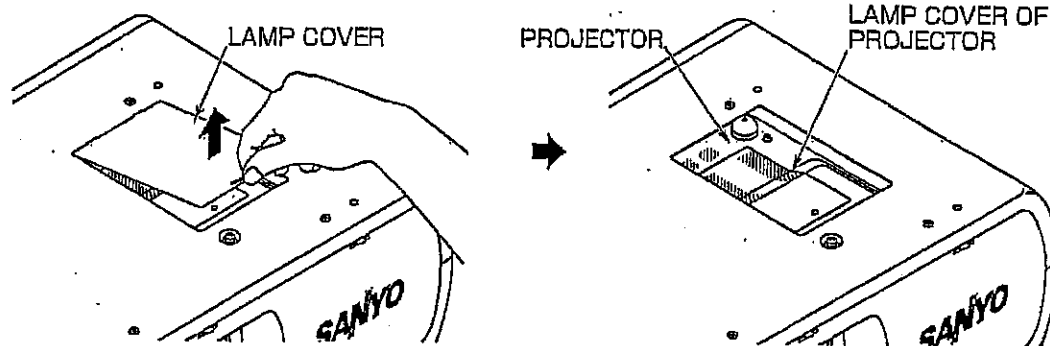


Confirm that the Air Filter doesn't lean and doesn't warp, and close the Air Filter cover firmly.



## LAMP REPLACEMENT

- 1 Hold the Lamp Cover by hand, and pull it up.
- 2 Remove the Lamp Cover with the Driver. Then, the Lamp Cover of the Projector can be seen.  
Note: Refer to the Projector Owner's Manual for the details of the Lamp replacement.



## MAINTENANCE

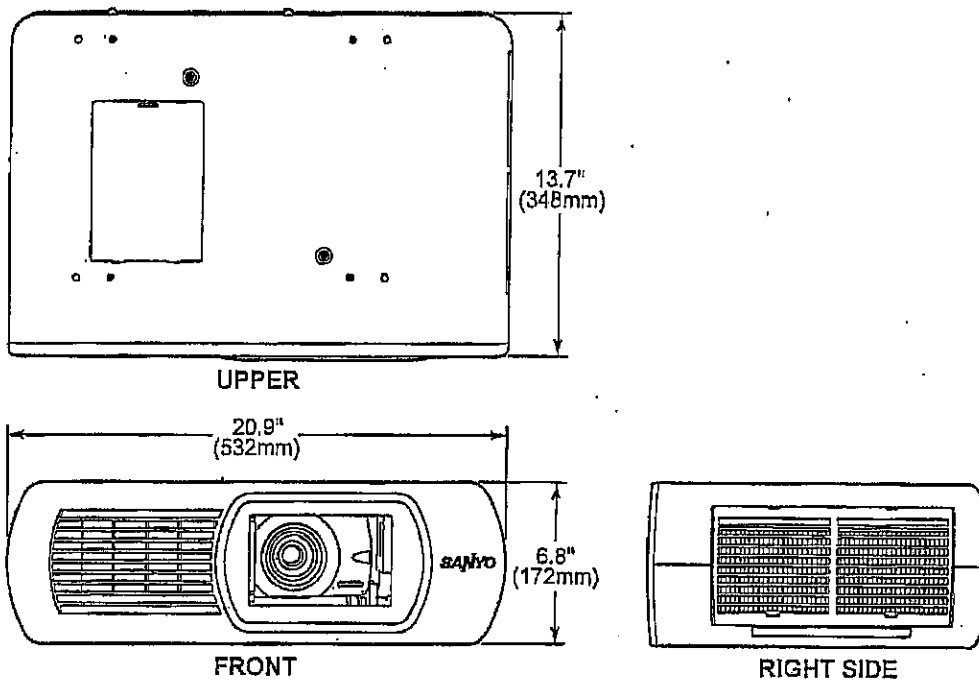
- **LONG TIME UNUSING.**  
Take out the Projector, and keep it in accordance with Projector Owner's Manual.
- **TAKE CARE OF THE CABINET. (EXTERIOR)**  
Wipe out the dirt of the Cabinet with the soft cloth lightly. Wring the cloth soaked in the synthetic detergent thinned with the water well, and wipe it out when dirt is heavy. Then, wipe it with the cloth which dried.
- **FOR THE CABINET ISN'T DAMAGED.**  
Cabinet is made of the plastic. Don't apply insecticide and a volatile solvent to the Cabinet. Don't touch rubber and an adhesive tape, plastic product for a long time again. It becomes the cause that it changes and which paints can be taken as.
- **DON'T USE BENZINE, PAINT THINNER.**  
It changes, and a coating can be taken when it is wiped with the benzine and the paint thinner. Follow those cautions of the manual when you use chemical cloth again.
- **TAKE CARE OF THE LENS.**  
Clean the surface of the Lens with the lens cleaner. The surface of the Lens is easy to be damaged. Don't scratch it with the hard goods therefore. Never strike it again.
- **TAKE CARE OF AIR INTAKE VENTS AND EXHAUST VENTS.**  
Performance sometimes goes down when trash and dust stick to Air Intake Vents and Exhaust Vents. Remove trash and dust with the vacuum cleaner and so on diligently.

## TROUBLESHOOTING

PROBLEM	TRY THESE SOLUTIONS
NO POWER.	<ul style="list-style-type: none"> <li>• AC Power Code connected?</li> <li>• Power turned on? Does the LAMP Indicator turn on red?</li> <li>• The power isn't turned on even if the ON-OFF Button of the Remote Controller is pushed when the READY Indicator disappears.</li> <li>• Inside temperature rises too much when the WARNING TEMP Indicator and the OUTER BOX Indicator turned on or blink. The power isn't turned on for the protection even if therefore the ON-OFF Button of the Remote Controller is pushed. Wait until temperature low.</li> </ul>
PICTURE UNCLEAR.	<ul style="list-style-type: none"> <li>• Isn't the Lens dirty?</li> </ul>
YELLOW INDICATORS TURNED ON.	<ul style="list-style-type: none"> <li>• It is the replacement time of the Lamp at the time of the LAMP REPLACE turned on.</li> <li>• It is the Air Filter replacement time of Smoke Resistant Unit at the time of the FILTER REPLACE turned on.</li> </ul>

Note: Refer to the Projector Owner's Manual for the symptoms of "TROUBLESHOOTING" except for these items.

## DIMENSIONS



## SPECIFICATIONS

### SMOKE RESISTANT UNIT

ITEM	CONTENTS
TYPE	Protect smoke, protect dust type box for the Projector.
PROJECTOR TYPE	PLC-SU30 / XU30 / XU35
AIR CLEAN EFFICIENCY	About 80% efficiency (Blower, filter type)
WIND QUANTITY	About 0.6m <sup>3</sup>
DISPLAY	Indicators display: (Blower Motor problem, Filter replacement) Besides, four kinds of Indicators display of the Projector.
OPERATING TEMPERATURE	41°F to 95°F (5°C to 35°C) (for the inside)
Voltage and Power Consumption	AC100-120V (4.8A Max. Ampere), 50/ 60Hz (The U.S.A. and Canada) AC200-240V (2.8A Max. Ampere), 50/ 60Hz (Continental Europe and The U.K.).
DIMENSIONS	20.9"x6.8"x13.7" (532mm x 172mm x 348mm)
WEIGHT	About 14.3lbs (6.5Kg) (Exclude the Projector)

### ACCESSORIES

NAME	QUANTITY	CONTENTS
8PIN DIN CONNECTOR	1	For Indicators
AIR FILTER (Type No. POA-FIL-SU30)	1	For protect smoke, protect dust (Service Parts No. 810-295-0418)
M4 screws	2	For Projector (M4x25mm)
Owner's Manual	1	For Smoke Resistant Unit



---

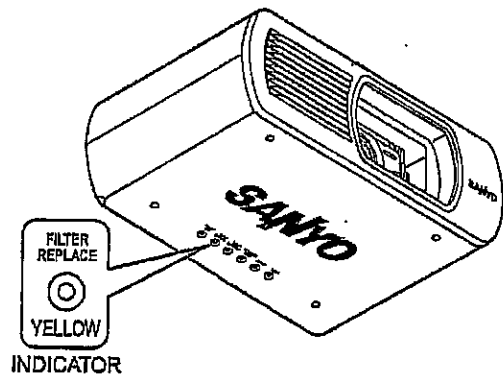
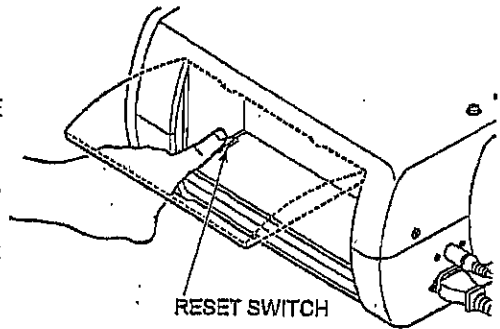
SANYO Electric Co., Ltd

Printed in Japan  
XXXXXXXXXX(XXXXXXXX-XXXX)

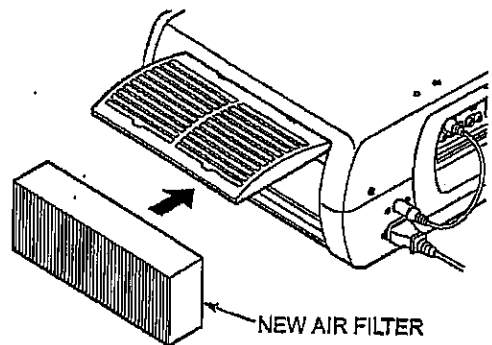
## HOW TO RESET THE AIR FILTER TIMER IN THE AIR FILTER REPLACEMENT

Reset the Air Filter Timer with the next process when you replace the Air Filter. And, cut off the power of the Projector at the Air Filter replacement time, and confirm that you turn on the Smoke Resistant Unit.

- 1 Take out the used Air Filter.
- 2 Hold the Reset Switch until the FILTER REPLACE Indicator blinks.
- 3 Leave the Reset Switch within five seconds if you confirm blinking the FILTER REPLACE Indicator. Air Filter Timer resetting isn't completed if the Reset Switch isn't left within five seconds. Do it from 2 process again at that time.
- 4 Hold the Reset Switch again until the FILTER REPLACE Indicator blinks.
- 5 Leave the Reset Switch within five seconds if you confirm blinking the FILTER REPLACE Indicator. Air Filter Timer resetting isn't completed if the Reset Switch isn't left within five seconds. Do it from 2 process again at that time.



- 6 Insert the new Air Filter. Air Filter replacement and Air Filter Timer resetting were finished in these processes.



When the FILTER REPLACE indicator is turned on, Air Filter Timer resetting isn't completed. Do it from 2 process again at that time.

