

WALL MOUNTING INSTRUCTIONS

Ⓢ Safety Precautions:

1. Thoroughly read this instruction before setup and follow the steps below precisely.
2. The wall to be mounted should be non-metallic. Only use accessories supplied by the manufacturer.
3. Very carefully handle the unit during setup and consult authorized service personnel to ensure successful installation. We are not liable for any damage or injury caused by mishandling or improper installation.
4. Be sure to place the unit on a stable and soft platform which is strong enough to support the unit.
5. Do not uplift the speaker when moving the display. The appearance of the unit may differ from the actual ones.
6. Design and specifications are subject to change without notice.

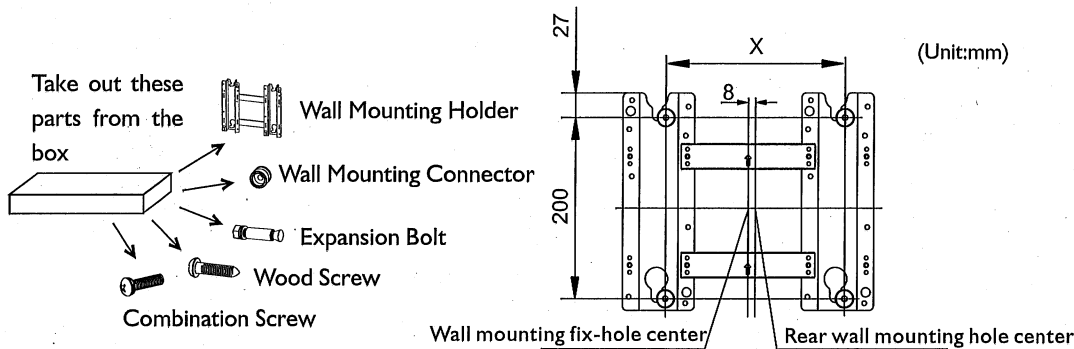


Fig.1

Fig.2

1. There are three options of wall mounting holder with different specifications: 200200, 200400, 200600. Please check your wall mounting holder for its specification.

2. Due to the wall mounting fix-groove leaning to the right side, the whole unit will lean to right side after installation, please carefully measure the position of the holes you want to drill, refer to the parameters on Fig.2 when drilling the holes.

Note: The "X" in Fig.2 represents a data. It may be 200mm or 400mm or 600mm.

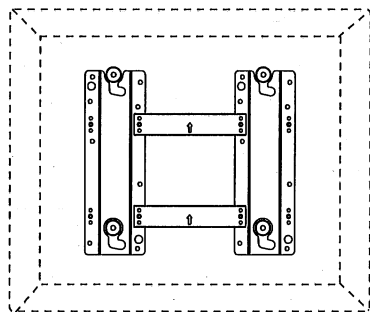


Fig.5

5. Put the back of the display unit close to the wall mounting holder, insert the four wall mounting connectors into the four calabash-shaped holes on the wall mounting holder. (Fig.5)

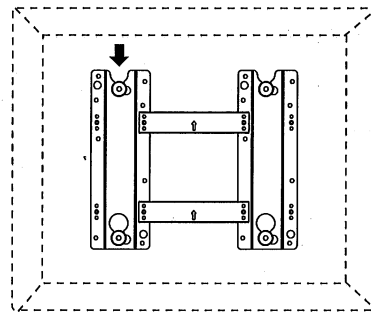


Fig.6

6. Let the display unit slowly slide down to the end of the calabash-shaped hole. (Fig.6)

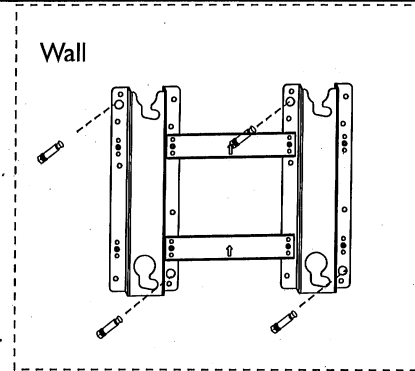


Fig.3

3. Screw 4pcs expansion bolts to fix the wall mounting holder on the wall. If your wall is a wooden structure, please fix the wall mounting holder on the wall with 16pcs wood screws.

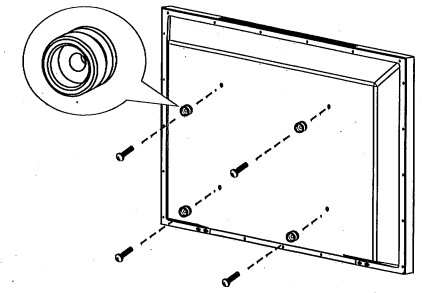


Fig.4

4. Use the 4pcs combination screws to fix the wall mounting connector to the rear of the display unit. (Caution: the direction of the connectors should be strictly confirm to the diagram illustrated above).

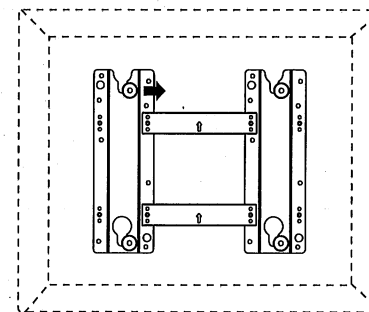


Fig.7

7. Push rightwards carefully until the wall mounting connectors fully slide into the right fix-grooves and be sure the mounting is secure.

8. If you want to dismount the unit do the steps in reverse order.