

Operation guide to confident colour viewing



SANYO

CPP 3015V
CPP 3015VY
CPP 3015VB

SANYO
TELECOLOR.

PLEASE
FILL IN
AND MAIL
REGISTRATION
CARD

CPP3015V SILVER CABINET
CPP3015VY YELLOW CABINET
CPP3015VB BLACK CABINET

**Confidence in Sanyo Telecolor
comes from a confident understanding
of how your set operates...**

Introduction

Your new SANYO TELECOLOR receiver is a highly complex, precision engineered instrument incorporating the most modern features of advanced technology.

There is no real necessity for you to have a knowledge of its more involved operational procedures, but you should understand the basic controls and the general operation of the set. Careful reading of this guide will lead to trouble-free viewing.

If more complex problems arise, check your obligations under the terms of the Sanyo Warranty contained in this guide, ENSURE THAT YOU HAVE MAILED YOUR WARRANTY REGISTRATION CERTIFICATE and call your authorised Sanyo Service Agent.

1. Unpacking

This should be treated with extreme care.

Follow instructions on all tags and labels before attempting to operate your receiver.

2. Power Connection

This receiver should be connected to a power point which complies with STATE ELECTRICAL AUTHORITY STANDARDS (230 ~ 260 volts, 50 Hz, AC only).

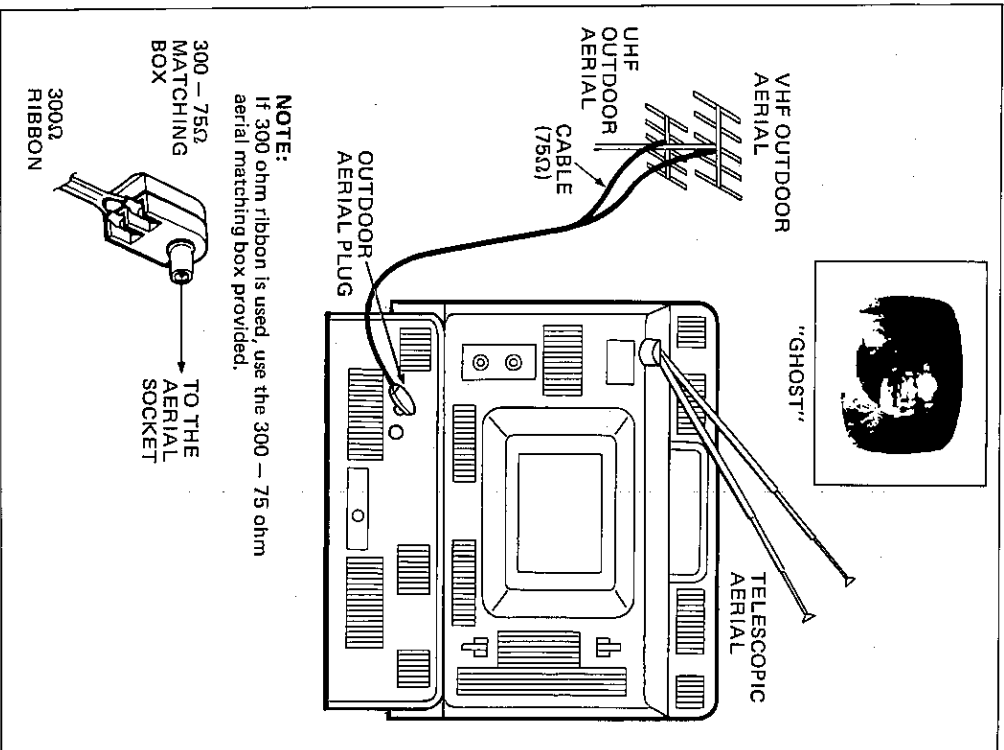
Aerial Connection

1. The telescopic aerial is an auxiliary aerial and will only satisfying reception in areas near the transmitter.
For good reception, adjust the aerial by varying the length and angle of the rods until the clearest picture is obtained.
2. In some areas it will be necessary to use an outdoor aerial.
Consult your dealer.
3. If you intend to use a previously installed aerial, check it carefully. Weather can destroy the effectiveness of the aerial and cable.
Also bear in mind the aerial may not have been designed for the flat response necessary for good colour reception.
4. "Snow" or weak picture is a result of either a weak signal or poor aerial. Reflections of signals from mountains or high buildings will cause multiple images, "Ghosting". (Refer to illustration on the right.) These abnormal conditions can be reduced to minimum by repositioning the aerial or by installing a new one suited to your area.
If you live in a difficult reception area, or if you experience difficulties, consult your dealer.

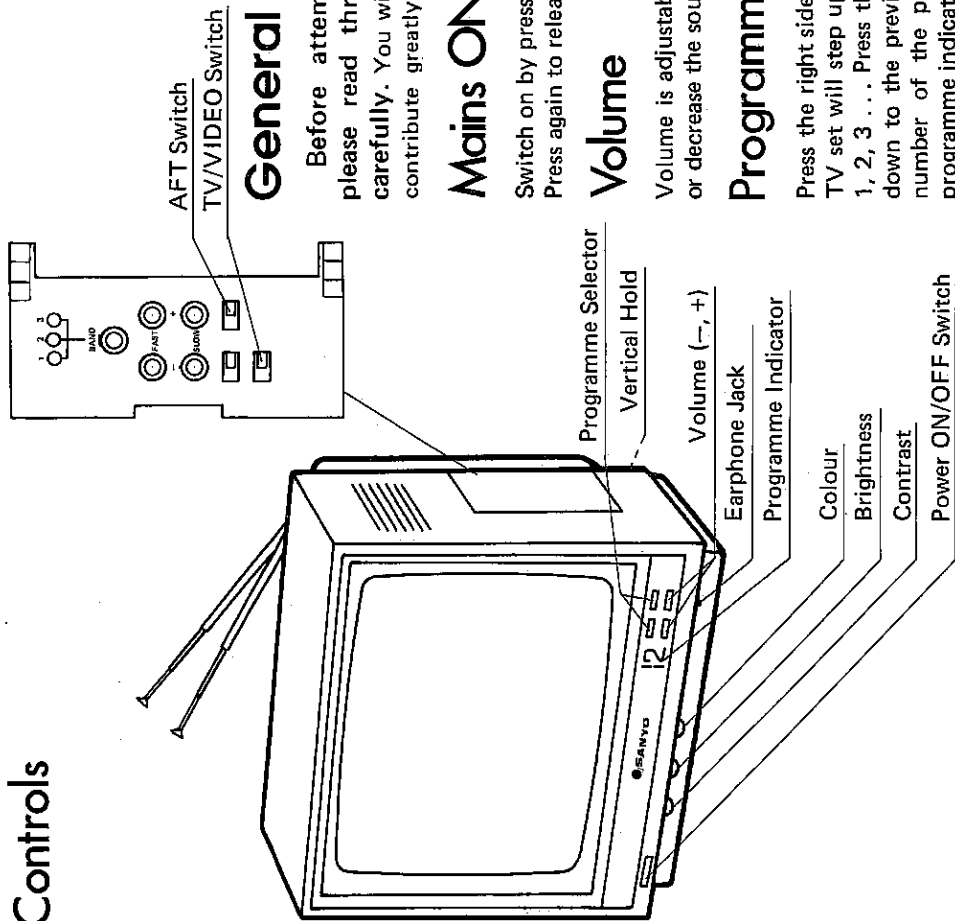
FOR YOUR SAFETY
Install any external aerial to AS1417.1

(AUSTRALIAN STANDARDS ASSOCIATION SPECIFICATION)

Ensure that the aerial lead is connected to the aerial terminal at the rear of the set.



Controls



General Operation

Before attempting to operate this receiver, please read through the following instructions carefully. You will find that it is time well spent and will contribute greatly to many years of enjoyable viewing.

Mains ON/OFF Switch

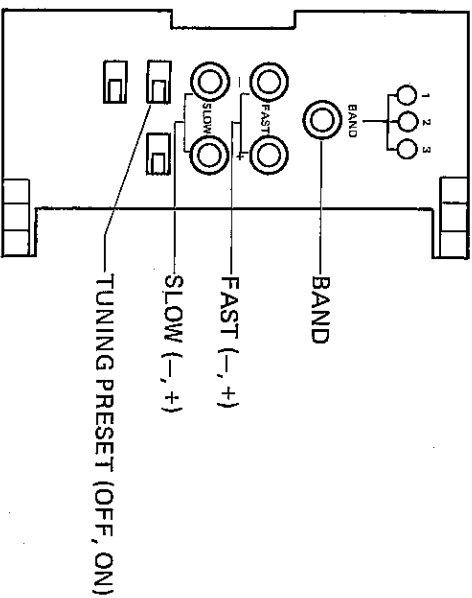
Switch on by pressing in the ON/OFF Switch. Press again to release, thus switching off TV Set.

Volume

Volume is adjustable with the + and - buttons to increase or decrease the sound volume.

Programme Selection

Press the right side (+) of the programme selector, and the TV set will step up to the next station, i.e; 1, 2, 3 ... 12, 1, 2, 3 ... Press the left side (-), and the TV set will step down to the previous station i.e; 1, 12, 11, 10 ... The number of the programme selected will appear in the programme indicator.



Presetting of stations

When preset adjustment is necessary, open the control compartment door by pulling the left side of the door.

- 1 Set the TUNING PRESET switch to ON position.
- 2 Press either (+) or (-) PROG. button, step by step, until the desired programme number is displayed in the programme indicator.

3 Press the BAND button to the channel band corresponding to your desired channel. The channel band indicator shows which channel band (1, 2 or 3) is being selected. Channel bands 1, 2 and 3 are the channel groups shown below.

- 1 ... VHF channels 0 ~ 5
- 2 ... VHF channels 5A ~ 11
- 3 ... UHF channels 21 ~ 69

When the band is set using the BAND button, the frequency will be set to the lowest frequency in the set band.

- 4 Press and hold the (+) FAST button to station searching.

When a station is found, release the (+) FAST button as soon as picture appears. If the (+) FAST button is pressed too long, press the (-) FAST button to regain optimum searching.

If the station found above step is not one to be set at programme number selected, press and hold the (+) FAST button again until the desired station appears.

When searching stops, the TV picture and sound will probably be rough.

- 5 Press and hold the (+) SLOW button until both picture and sound reception clear.

If the (+) SLOW button is pressed too long, press the (-) SLOW button to regain optimum tuning.

NOTE:

When the FAST or SLOW tuning button is released, the TV station will be stored in the electronic memory. When the FAST or SLOW tuning button is pressed too long, station searching will be changed as figure at the each channel bands.

- 6 Repeat steps 2 to 5 for remaining programme numbers to be set.

WHEN PRESETTING OF STATIONS IS COMPLETED, SET THE TUNING PRESET SWITCH TO "OFF" POSITION and close the control compartment door. Any programme can now be easily selected by using the PROG. button on the TV set, or remote control transmitter.

First tune in black & white . . .

Your colour set should be properly tuned for best black and white picture before tuning colour, so firstly, remove all colour by adjusting the "colour" control. Next, adjust contrast and brightness for a pleasing black and white picture, as you would for a monochrome set.

Now add colour . . .

Adjust the COLOUR control to bring colour into the picture until it reaches the intensity you desire. No further adjustments are required. Your Sanyo receiver is now set for normal viewing conditions and should require little or no adjustment for some time to come.

Know your controls

AFT (Automatic Fine Tuning)

AFT automatically maintains correct fine tuning so that it is seldom necessary to retune the set. AFT operates automatically when the AFT Switch is in the "ON" position.

Brightness

Determines the brilliance of the picture and is adjusted in conjunction with the CONTRAST control.

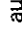
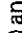
Colour

You can adjust the colour saturation of picture with this control knob, observing the flesh tone of a human face.

Contrast

Provides the proper contrast between the black and white elements of the picture. Properly adjusted, it will be possible to observe a gradation between blacks, greys and whites in the picture material.

A.V. (Audio Vision)

A VCR or other AV apparatus can be connected to the back of the television. Connect the video signal source and the audio signal source of the VCR or other AV apparatus to the video-in  and audio-in  terminals, respectively. Then setting the TV/VIDEO switch on the side controls to the VIDEO position, the signal from the VCR can be picked up by the television.

Prior to connecting a VCR, TV camera, or audio apparatus be sure to carefully read the instruction booklet of the equipment involved.

TV/Video Switch

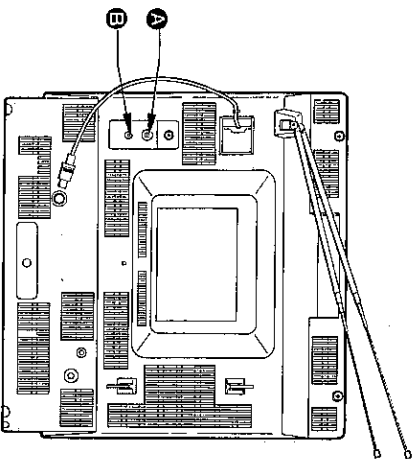
This switch is used to select the input signal to the TV set. When it is in the "VIDEO" position, and it is then possible to watch signals from VCR or other AV equipment connected to the video and audio terminals. To watch TV broadcasts in the usual way, set this switch to "TV" position.

Earphone jack

Located on the front of the receiver makes possible individual use of the set without disturbing others. Insert the plug of an earphone into the socket on the set. The TV set speaker is automatically switched off.

Remote Control Operation

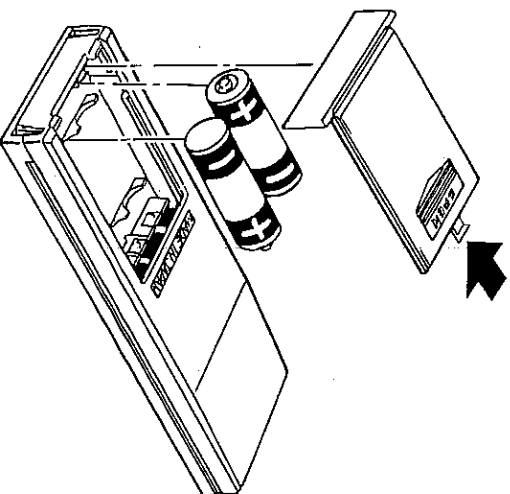
Main ON/OFF switch of the TV set must be in "ON" position before remote control operation is possible. Point transmitter towards the TV set, then press the appropriate function button for the following controls.



Battery Installation

1. Remove the battery cover by pushing and then sliding it in direction of arrow.
2. Install two R6 "SUM-3, AA" (Penlight Size) 1.5 volt batteries so the "+," and "-" marks on the batteries match the "+" and "-" marks inside the unit.
3. Close the battery cover.

Note: Replace the batteries when the TV set is showing the following symptoms: Operation is unsteady or erratic, sometimes the TV set does not work with transmitter. Discharged batteries may leak and damage the unit. The normal life of batteries should be from nine to ten months.



Power ON/OFF

Press this button to switch TV set on. To switch TV set off, press again.

Note: The standby indicator will remain illuminated when the TV set is switched off with this button. This is to indicate that the TV set is still partially energized.

To disconnect TV set completely from mains, switch off with Main ON/OFF switch.

Programme Selection

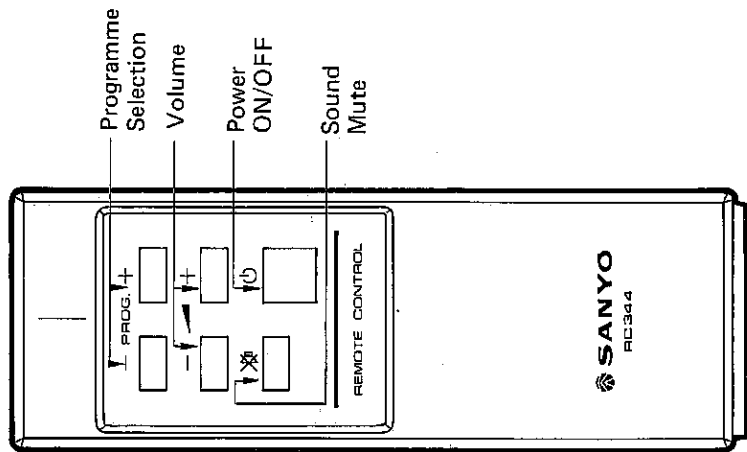
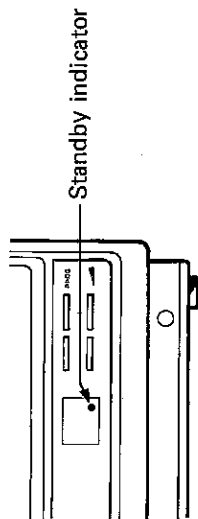
Press the (+) button, and the TV set will step up to the next station, i.e.: 1, 2, 3 . . . 12; 1, 2, 3 . . . Press the (-) button, and the TV set will step down to the previous station, i.e.: 12, 11, 10 . . . 1; 12, 11, 10 . . . The number of the programme selected will appear in the programme indicator.

Volume

To increase the volume, press the + button and to decrease it, press the - button.

Sound Mute

Should you wish to mute the sound (eg: while making a telephone call) press this button once. To switch the sound back on press this button again.



Caring for your Sanyo Telecolor

Avoid excessively hot locations. Damage to the cabinet or premature transistor failure may result.

The bottom and rear of the cabinet are provided with ventilation holes. Do not place the receiver on top of thick cloth, or attempt to cover openings in any way.

When the receiver is not in use for a few days, it is advisable to disconnect the AC plug from the wall socket.

The surface of the cabinet can be easily damaged if not properly maintained. Many common household aerosol sprays, cleaning agents, solvents and polishes will cause permanent damage to the fine surface. Best results for cleaning are obtained with mild soap and water, and a soft cloth for drying.

Outside Interference Causes and Cures Snow or weak picture

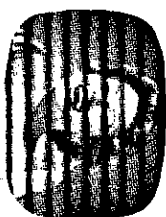
This condition may be evident when the signal to the receiving aerial is low. For the best possible reception, an outdoor aerial is essential.



Sound Bars in picture

Maladjustment of the Fine Tuning may cause "Sound Bars"

These are eliminated by adjusting the Fine Tuning control as explained in "General Operation".



Radio Interference

Interference in the form of ripples or unstable pictures may result from neighbouring receiving or transmitting equipment, flashing neon signs, or electrical appliances. If receiver adjustment does not eliminate this interference, the interference source must be located and corrected.



Diathermy

Electrically operated medical equipment such as diathermy apparatus may produce a herringbone pattern across the picture and, if severe, may even obliterate part of the picture.

This interference normally is of short duration, and cannot be removed by receiver adjustment. If severe, the interference source must be located and corrected.



Technical Data

Power Source	AC 240V, 50 Hz
Power Consumption	48 Watts
Tuning Range	VHF Channels 0 to 11 UHF Channels 21 to 65
Aerial Input	
Impedance	75 Ohm
Semiconductors	9 Integrated Circuits 26 Transistors
Picture Tube	37cm Diagonal, 90 Degree
High Voltage	19 KV stabilized
Measurements	374(W) x 362(H) x 369(D)mm
Weight	11 kg
Sound Output	1.5 Watts

NOTE:

When you move or bring this TV receiver to other country, check to see if you can use it in that country by referring to the attached "WORLD TELEVISION SYSTEM LIST". This TV receiver is capable of receiving the broadcasting systems of the GROUP-3 countries. Even if you bring your TV to other country, you cannot use it unless the TV's broadcasting system, colour system, and channel coverage conform to those of the country.

SANYO TELECOLOR SERVICE CENTRES

Sanyo operates wholly owned service facilities staffed with factory trained servicemen to carry out after sales service at the addresses listed opposite.

Elsewhere there is an extensive network of fully trained and authorised service organisations standing by to help you.

**Specifications subject to
change without notice.**

**Before calling for Service, please
consult the trouble shooting
guide contained in this booklet.**

QUEENSLAND:
Cnr. Alfred' & Julia Streets,
FORTITUDE VALLEY, 4006.
Telephone: 52 8588

40 Punari Street,
Currajong,
TOWNSVILLE, 4812.
Telephone: 79 9238

NEW SOUTH WALES:
14 Mars Road,
LANE COVE, 2066.
Telephone: 428 5455

Cnr. Parry & Arnott Streets,
COOKS HILL, 2300.
Telephone: 049 2 5197

A.C.T.:
11 Kembla Street,
FYSHWICK, 2609.
Telephone: 80 6422

VICTORIA:
130 Dudley Street,
WEST MELBOURNE, 3003
Telephone: 329 7266

TASMANIA:
67 A Elizabeth Street,
LAUNCESTON, 7250.
Telephone: 31 5522

SOUTH AUSTRALIA:
104 Mooringe Avenue,
NTH. PLYMPTON, 5038.
Telephone: 294 3288

WESTERN AUSTRALIA:
1 Thorogood Street,
VICTORIA PARK, 6100.
Telephone: 361 4744