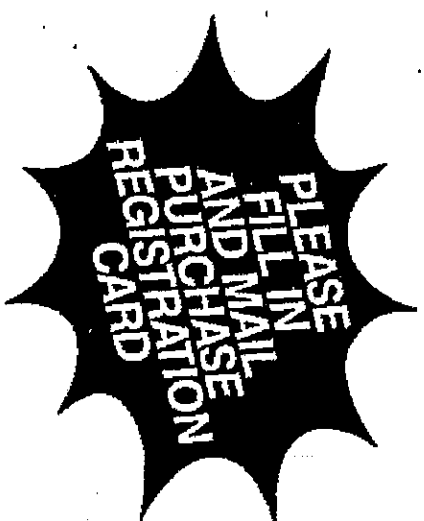


**SANYO**

CPP 3011V  
CPP 6011V

**Operation  
guide to  
confident  
colour viewing**

**SANYO  
TELECOLOR.**



**Confidence in Sanyo Telecolor  
comes from a confident understanding  
of how your set operates...**

# **Introduction**

Your new SANYO TELECOLOR receiver is a highly complex, precision engineered instrument incorporating the most modern features of advanced technology.

There is no real necessity for you to have a knowledge of its more involved operational procedures, but you should understand the basic controls and the general operation of the set. Careful reading of this guide will lead to trouble-free viewing.

If more complex problems arise, check your obligations under the terms of the Sanyo Warranty contained in this guide, **ENSURE THAT YOU HAVE MAILED YOUR WARRANTY REGISTRATION CERTIFICATE** and call your authorised Sanyo Service Agent.

## **1. Unpacking**

This should be treated with extreme care. Follow instructions on all tags and labels before attempting to operate your receiver.

## **2. Power Connection**

This receiver should be connected to a power point which complies with **STATE ELECTRICAL AUTHORITY STANDARDS** (230 ~ 260 volts, 50 Hz, AC only).

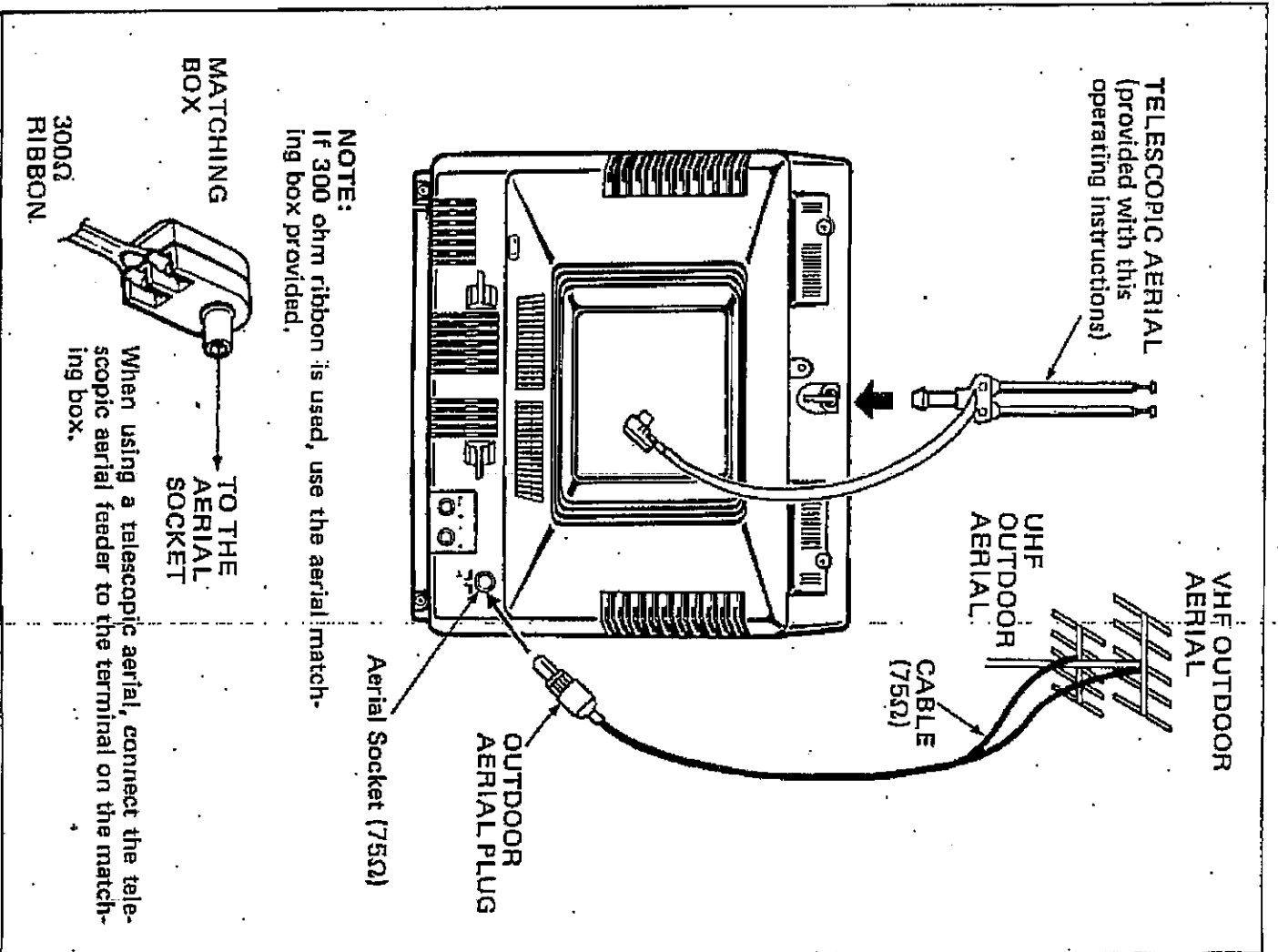
# Aerial Connection

1. If your present aerial produces a clear reception, then no alterations to existing aerial are necessary.
  2. A colour picture of good quality requires a higher aerial potential than a black/white picture.  
If you adjust your T.V. receiver to a station with a weak colour signal, your T.V. receiver automatically changes to a black/white reproduction.
  3. Connect CABLE with plug from VHF and UHF AERIAL to AERIAL SOCKET on cabinet back.
  4. For all aerial circuit problems please consult your local dealer. "SNOW" or weak picture is a result of either a weak signal or aerial. Reflections of signals from mountains or high buildings will cause multiple images, "GHOSTS". These abnormal conditions can be reduced to a minimum by repositioning the aerial or by installing a new one suited for your area.
- Note: Service calls relating to aerial installation are **NOT COVERED BY THE WARRANTY** given with your receiver.  
If you live in a difficult reception area, or if you are experiencing difficulties, consult your dealer.

**FOR YOUR SAFETY**  
Install any external aerial to AS1417.1

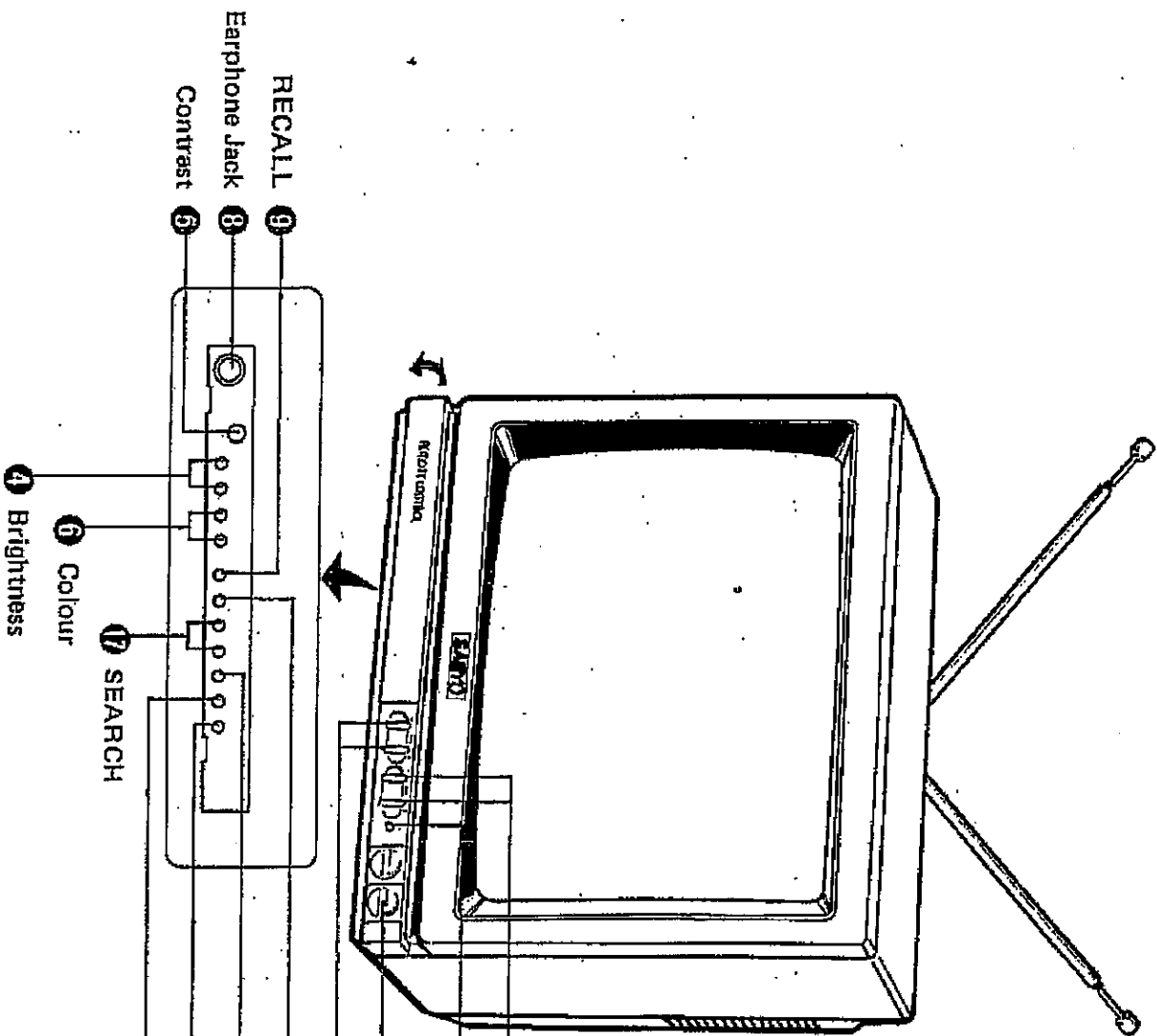
## (AUSTRALIAN STANDARDS ASSOCIATION SPECIFICATION)

Ensure that the aerial lead is connected to the aerial terminal at the rear of the set.

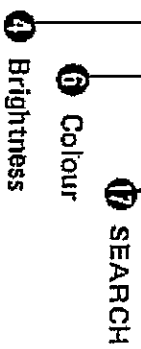


# Controls

## REMOTE CONTROL-TRANSMITTER

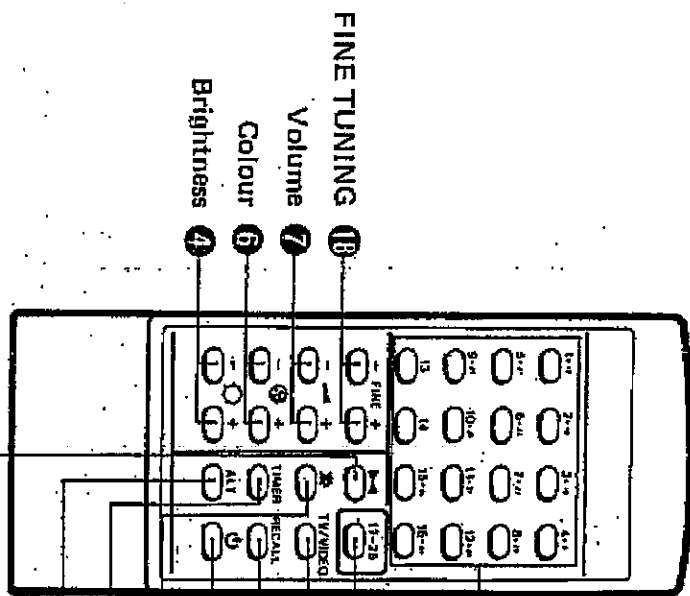


- 9 RECALL
- 8 Earphone Jack
- 6 Contrast



- 4 Brightness
- 6 Colour
- 17 SEARCH

- 2 Programme Selector
- 19 STAND-BY/VIDEO Indicator (red) (green)
- 1 Mains ON/OFF Switch
- 7 Volume
- 10 MEMORY
- 13 BAND
- 3 TV/VIDEO Selector Button
- 16 MODE



- 18 FINE TUNING
- 7 Volume
- 6 Colour
- 4 Brightness
- 2-1 Programme Selector
- 2-2
- 3 TV/VIDEO Selector
- 9 RECALL
- 1-1 Power ON/OFF
- 12 Sound Mute
- 13 OFF TIMER
- 14 Alternate
- 11 NORMALIZATION

# General Operation

## 1 .... Mains ON/OFF Switch

The set is switched on by pressing button ①. To switch off, press button again.

Note: After a power failure the TV set goes into the standby mode.

To switch it on, press the main on/off switch twice, i.e. the main on/off switch must be in a released position, and then it must be pressed again.

The TV set can also be turned on by pressing the power on/off button of the remote control.

## 2 .... Programme Selection

Press the right side (+) of the programme selector ②, and the TV set will step up to the next station, i.e; 1, 2, 3 ... 28, 1, 2, 3 ... Press the left side (-), and the TV set will step down to the previous station.

The position number is displayed on the screen.

## 3 .... T.V./VIDEO Selector Button

To watch television programmes leave this switch in the T.V. mode. When this switch is set to the VIDEO mode you can enjoy the playback from VCR or other. "AV" is displayed on the screen. (The green VIDEO indicator ⑨ will illuminate.)

## CONTROL SETTING

Adjust the BRIGHTNESS ④ (+, -) button and CONTRAST ⑤ control to the desired levels.

Adjust the COLOUR ⑥ (+, -) button for proper the colour intensity.

Press the VOLUME ⑦ (+, -) button to the desired sound.

"SOUND", "COLOR" or "BRIGHT" is displayed on the screen.

## 8 .... Earphone jack

Inserting the earphone (option) to the outlet provides personal listening, (for recording purpose with the appropriate lead.) The TV set speaker is automatically switched off.

## 9 .... RECALL

The POSITION in present selection, the remaining time in use of setting OFF timer are displayed on the screen by RECALL KEY.

## 10 .... MEMORY

Present analog control level (for sound, colour and bright) should be set into memory. "NORMAL" is displayed on the screen.

## ON-SCREEN DISPLAY: EXAMPLE

### • PROG. POSITION

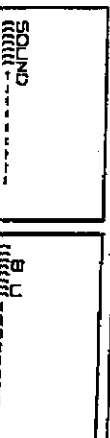
Display time continues for 5 sec.

28

AV

### • SOUND VOLUME

Display time continues for 5 sec.



• VIDEO MODE  
Display time continues for 5 sec.

• TUNING (Pre-Setting)  
Display time continues during MODE switch ON.

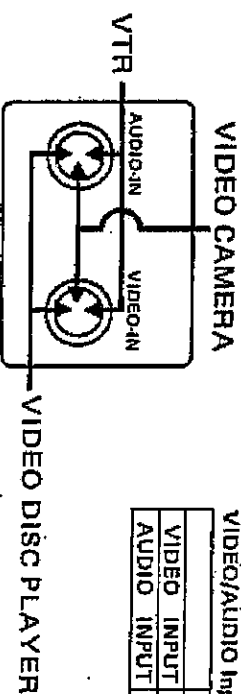
### A.V. (Audio Vision) connection

Your T.V. set is capable of receiving the output of A.V. equipment (VCR, VTR etc.).

When you use an A.V. equipments, press the (+) or (-) button of CHANNEL SELECTOR until program number "15, 16" obtain.

The A.V. equipment can be connected to the serial socket of your T.V. set. For this connection and adjustment, refer to the operating instructions for the A.V. equipment.

### Video/Audio Input Connection (REAR PANEL)



VIDEO/Audio Input level

| VIDEO INPUT | Level    | Impedance      |
|-------------|----------|----------------|
| VIDEO INPUT | 1.0Vp-p  | 75Ω            |
| AUDIO INPUT | 436mVrms | More than 40kΩ |

In order to watch the playback from a VCR, video disc player or the video signal from a video camera, the output terminal of the A.V. equipment in use must be connected to: the VIDEO/AUDIO INPUT terminal. Note that the T.V./VIDEO switch must be set to the VIDEO mode to watch any A.V. program.

For these connections and adjustments, refer to the operating instructions for the A.V. equipment.

## Remote Control Operation

### BATTERY INSTALLATION (REMOTE CONTROL TRANSMITTER)

- 1 Remove the battery cover by sliding.
- 2 Install two "AA" 1.5 volt batteries so that the "+" and "-" marks on the batteries match the "+" and "-" marks inside the unit.
- 3 Close the battery cover.

#### NOTE:

Replace the batteries when the T.V. set is showing the following symptoms: Operation is unsteady or erratic, sometimes the T.V. set does not work with transmitter. Discharged batteries may leak and damage the unit. The normal life of batteries should be from nine to ten months.

#### Remote Control Operation

Main ON/OFF switch of the TV set must be in "ON" position before remote control operation is possible.

Point transmitter towards the TV set, then press the appropriate function button for the following controls.

- The keys on the Remote Control Transmitter operate in the same manner as those on the front of the television. In addition to those controls, the transmitter has these additional functions: Programme Selection, NORMALIZATION, Sound Mute, OFF TIMER, Alternate and FINE TUNING.

#### 1... Power ON/OFF

Press this button to switch TV set on. To switch TV set off, press again. Note: The red standby indicator 19 will remain illuminated when the TV set is switched off with this button. This is to indicate that the TV set is still partially energized.

To disconnect TV set completely from mains, switch off with Main ON/OFF switch on the T.V. set itself.

#### 2-1... Programme selection

For selection of programme 1 to 16, press the programme selector button 2-1.

- For selection of programme 17 to 28, press the 2-2 "17-28" button once ("1" is displayed on the screen) and then press the corresponding 2-1 button (17 to 28) within five seconds.

#### 11... NORMALIZATION

Press this button, automatically sound, brightness and colour are set at the optimum level. "NORMAL" is displayed on the screen.

#### 12... Sound mute

Should you wish to mute the sound (e.g. While talking on the telephone) Press this button once. To switch the sound back on, press it again.

#### 13... OFF TIMER

After a set time has elapsed, the power of the T.V. receiver is switched off automatically. Each time the key is pushed, the set time changes as follows: Channel number display → 30 minutes → 60 minutes → 90 minutes

With the off timer being set and the channel display reset, the remaining time is displayed by pushing the off timer key again. When the key is pushed again within three seconds after the key was first pushed in above manner, the time is set to an upper time which is most close to the remaining time.

- The timer does not function when the TV set is in the tuning preset mode. The timer setting will be cancelled (if set) when the TV is set to the tuning preset mode.

- The timer setting will be cancelled if the power is switched OFF.

#### 14... ALT (Alternate)

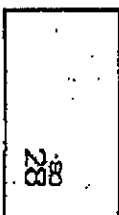
Press the "ALT (Alternate)" button 12 and the T.V. set will alternately select the previous channel and the present channel. For example, now you are watching channel 4, but you watched channel 2 previously. If you press the "ALT Key", channel 2 immediately appears then channel 4 is stored in the memory.

#### 15... FINE TUNING

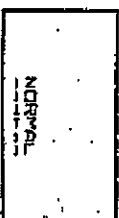
For tuning of the best picture and sound, press the (±) Fine Tuning button. The programme number is displayed on the screen when the FINE TUNING buttons are depressed. Display time continues while these buttons (±) are depressed and for 5 seconds after detaching them.

#### ON-SCREEN DISPLAY: EXAMPLE

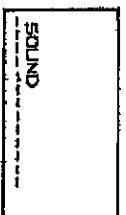
##### • OFF TIMER



##### • NORMALIZATION



##### • SOUND MUTE



Display time continues for 5 sec.

# Pre-Setting of Stations

Up to 28 broadcast stations in your reception area can be stored in the electronic memory.

- [1] Open the control box door.  
Set the **MODE** switch to ON position.
- [2] Select the programme number (with the programme selector button **2** or **2-1**) for which you would like to allocate a T.V. channel.  
Set the **BAND SWITCH** **15** to the channel allocated to the programme button selected.

- Channels band VL, VH and U are for the following channel groups.  
 Band I VHF Low Channels 0, 1, 2, 3, 4, 5  
 Band III VHF High Channels 5A, 6, 7, 8, 9, 10, 11  
 Band U UHF Channels 28 to 69  
 The channel (VL, VH or U) Band is displayed on screen.

### REMARKS

When the band is set using the **BAND SWITCH**, the frequency will be set to the lowest frequency in the set band.

- [3] Press and hold the **17** (+) **SEARCH** button to the station searching.  
When a station is found, release the (+) **SEARCH** button as soon as picture appears.

### REMARKS

The lowest bar display changes according to UP/DOWN of the tuning voltage. If the search speed is too fast when using the **17** (+) or (-) **SEARCH** **BUTTON**, press the **18** (+) or (-) **FINE TUNING** **BUTTON** and continue the search.

If the station found in above step is not the one to be set, press the (+) **SEARCH** **BUTTON** again until the desired station appears.

- [4] Once the best picture have been obtained, press the **10** **MEMORY** button to store the station located by the tuning in the electronic memory.
- [5] Repeat steps 2 to 4 to allocate other T.V. channels to any programme location of your choice.

- [6] Set the **16** **MODE** switch to OFF position.  
Remember that the TV station you located by the tuning function will not be stored in the memory unless the **MODE** switch is set to OFF.

When the **MODE** switch is switched OFF, **BAND SWITCH**, the (+) and (-) **SEARCH** buttons will not function.  
Close the control box.

1. If you wish to copy the T.V. channel in the programme number "1" into the programme number "2" (or 3 to 28).
2. Select the programme number 1, and turn the **MODE SWITCH** ON.
3. Press channel selector button 2 (or 3 to 28).
3. Press **MEMORY** **BUTTON**, set the **MODE SWITCH** to OFF.

# Caring for your Sanyo Telecolor

Avoid excessively hot locations. Damage to the cabinet or premature parts failure may result.

The bottom and rear of the plastic cabinet back is provided with ventilation holes. Do not place the receiver on top of thick cloth, or attempt to cover ventilation holes in any way.

When the receiver is not in use for any length of time, it is advisable to disconnect the AC plug from the wall socket.

The surface of the cabinet can be easily damaged if not properly maintained. Many common household aerosol sprays, cleaning agents, solvents and polishes will cause permanent damage to the cabinet surface. Best results for cleaning are obtained with mild soap and water, and a soft cloth for drying.

### HELPFUL HINTS

#### NO PICTURE, NO SOUND

- Check if TV is plugged in.
- Try a different channel, if OK, probably station trouble.

#### POOR PICTURE, SOUND OK

- Adjust **BRIGHTNESS** control.
- Adjust **FINE TUNING** control.
- Check aerial connections.

#### NO COLOUR, PICTURE OK

- Adjust **COLOUR** control.
- Adjust **FINE TUNING** control.
- Is the programme in colour?

#### WEAK PICTURE

- Check aerial connections on back of set.
- Check aerial for broken wires.
- Re-orientate aerial.

## Technical Data

Power Source . . . AC 240V, 50 Hz      Tuning Range . . . VHF Channels 0 to 11  
 Television System . . . System B/G      UHF Channels 28 to 69  
 Colour System . . . . . PAL      Ext. Sockets . . . Audio Input: RCA Type.  
 Aerial Input      Video Input: RCA Type.  
 Impedance . . . . . 75 Ohm

| MODEL             | CPP3011V<br>(14 Inch)                     | CPP6011V<br>(20 Inch)                     |
|-------------------|---|---|
| Power Consumption | 46 Watts                                  | 70 Watts                                  |
| Audio Output      | 1.5 Watts                                 | 3.0 Watts                                 |
| Picture Tube      | 34 cm Diagonal (Useful Screen), 90 Degree | 48 cm Diagonal (Useful Screen), 90 Degree |
| Measurements      | 362 x 325 x 362 mm (W) (H) (D)            | 496 x 444 x 469 mm (W) (H) (D)            |
| Weight            | 9.2 Kg                                    | 18 Kg                                     |

The set is constructed according to X-ray safety regulations. X-ray emissions are sufficiently shielded.

# SANYO TELECOLOR SERVICE CENTRES

Sanyo operates wholly owned service facilities staffed with factory trained servicemen to carry out after sales service at the addresses listed opposite.

Elsewhere there is an extensive network of fully trained and authorized service organizations standing by to help you.

Specifications subject to  
change without notice.

Before calling for Service, please consult  
the trouble shooting guide contained in  
this booklet.

Part No. 3P08048 (A1-D8HC)

**QUEENSLAND:**

Cnr. Alfred & Julia Streets,  
FORTITUDE VALLEY, 4006  
Telephone: 52 8588

**VICTORIA:**

130 Dudley Street,  
WEST MELBOURNE, 3003  
Telephone: 329 7266

**40 Punari Street,**

Currajong,  
TOWNSVILLE, 4812  
Telephone: (077) 79 9088

**TASMANIA:**

67A Elizabeth Street,  
LAUNCESTON, 7250  
Telephone: 31 5522

**NEW SOUTH WALES:**

14 Mars Road,  
LANE COVE, 2086  
Telephone: 428 5822

**SOUTH AUSTRALIA:**

104 Moorings Avenue,  
NORTH PLYMPTON, 5038  
Telephone: 294 3288

**NEWCASTLE:**

Cnr. Parry & Arnott Streets,  
COOKS HILL, 2300  
Telephone: (049) 25197

**WESTERN AUSTRALIA:**

33 Abernethy Rd., Belmont, 6104  
P.O. Box 129, Cloverdale, 6105  
Telephones: (09) 478 1255

**A.C.T.:**

11 Kambia Street,  
FYSHWICK, 2609  
Telephone: 80 6422

610-115-2501