



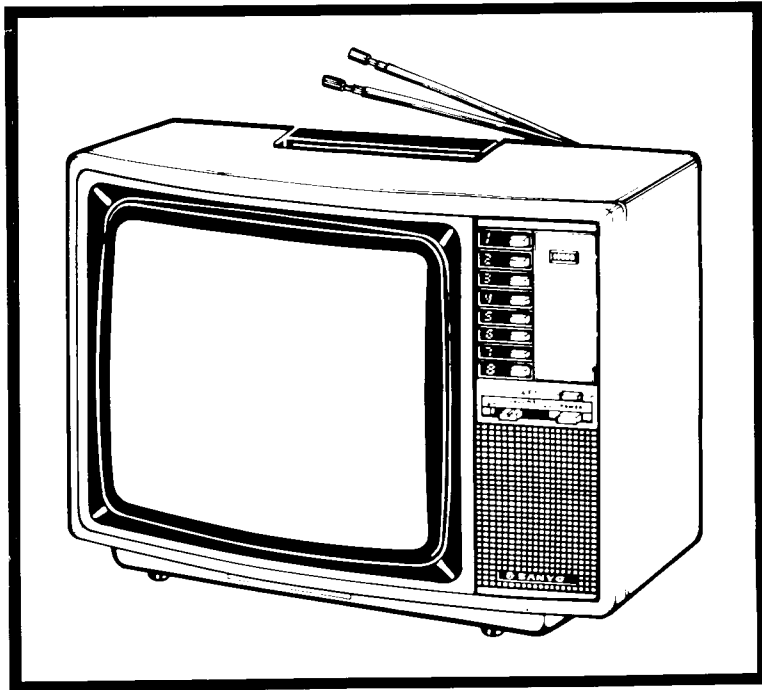
SANYO

CZP3040

Please read this booklet before attempting to operate your T.V. set.

SANYO COLOUR TELEVISION

OPERATING INSTRUCTIONS



Sanyo Colour

We congratulate you on the acquisition of your colour television set which has been manufactured using the most advanced technical knowledge available and the most modern production and testing methods.

It complements the very high standard of modern colour transmission technology.

These are the important advantages of your colour T.V. set:

- Natural and brilliant colour reproduction and easy service.
- Also first class quality reception of black and white transmissions.
- Excellent reception of distant stations because of the full electronic all band tuner, stabilized by AFT = Automatic Fine Tuning.
- Push button programme selection with indicator lights.
Eight programmes in your reception area can be memorized.
- Complete functional safety because of automatic control of important parts and the use of modern transistors.

We wish you lots of pleasure with your newly acquired colour television set.

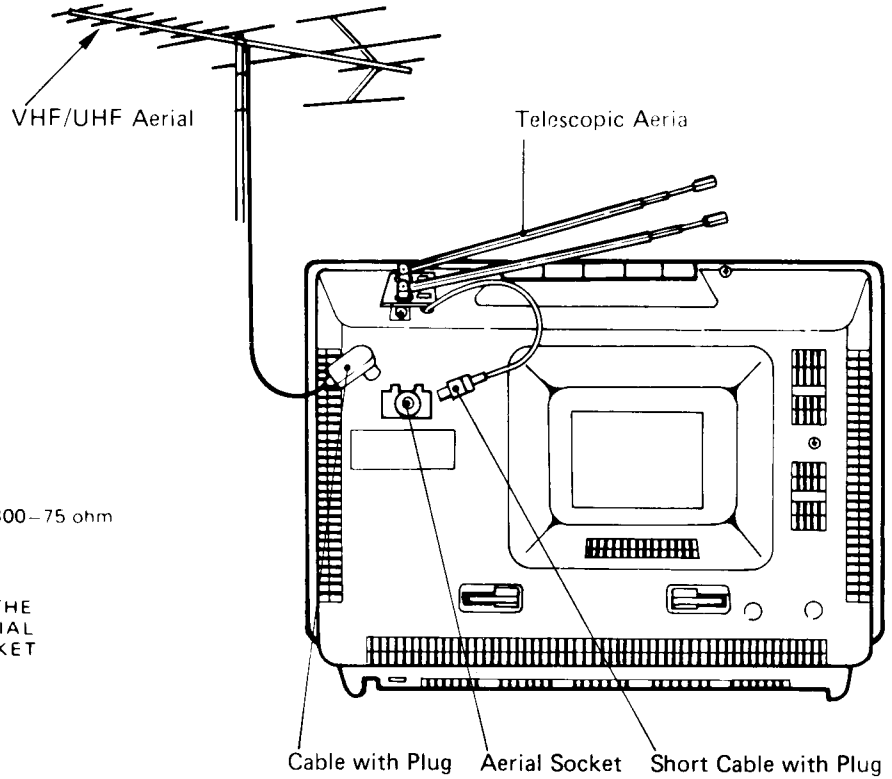
Mains Supply

- The T.V. set is prepared for a mains voltage of 230 volts, 50Hz, AC.
- Connect the power cord of the T.V. set to a wall outlet.

When the T.V. set is not to be used for an extended period of time, it is advisable to disconnect the power cord from the power outlet.

WARNING! High Voltages are used in the operation of this T.V. set. Refer service to qualified service personnel.

Aerial Connection



Aerial

Refer to Aerial Connection on Page 3.

1. The aerial socket is located on the back of your T.V. set cabinet.
2. If your present aerial produces a clear reception of black/white pictures, then no alterations to existing aerial are generally necessary.
3. A colour picture of good quality requires a higher aerial signal than a black/white picture. If you adjust your set to a station with a weak colour signal, your T.V. set automatically changes to black/white reproduction.
4. Connect a cable with plug from VHF/UHF aerial to aerial socket on the back of the cabinet. When 300 ohm ribbon feeder is used for aerial input, install adaptor to the aerial socket and connect feeder to the terminal of the adaptor.
5. At the cabinet back you will find a short cable with plug which is the cable for the telescopic aerial. If you wish to use the telescopic aerial, this cable has to be plugged into the socket.
6. For all aerial problems please consult your local dealer.

"Snow" or weak picture is a result of either a weak signal or a poor aerial. Reflections of signals from mountains or high buildings will cause multiple images, "Ghosts" These abnormal conditions can be reduced to minimum by repositioning aerial or by installing new one suited to your area. (Refer to illustration).

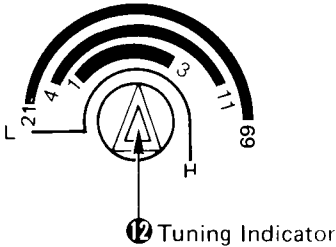
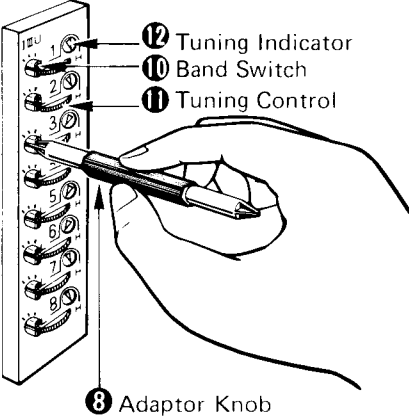
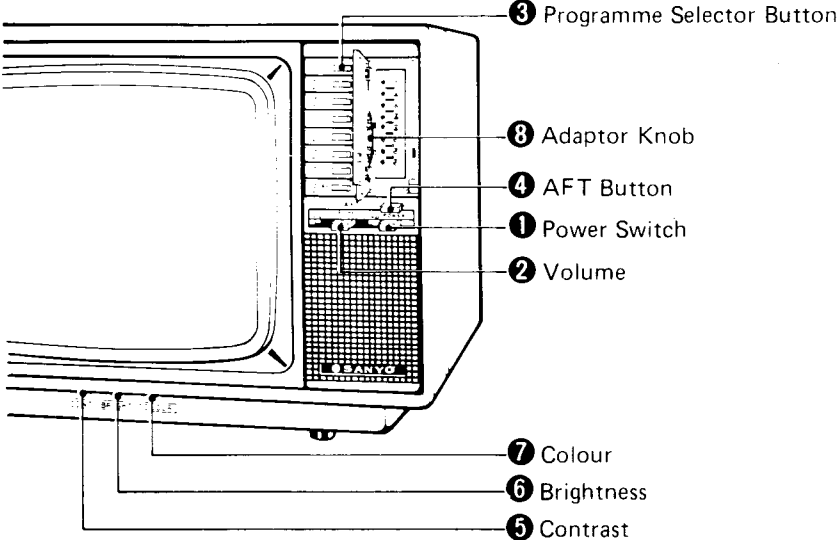


"SNOW"



"GHOSTS"

Controls



General Operation

Refer to Controls location on page 5.

① Power Switch

To switch T.V. set on, press this switch.

To switch T.V. set off, press it again.

② Volume

Slide this control knob to the right position to increase volume, as required.

③ Programme Selection

To change the programme, push the selector button ③ To set the different T.V. stations, refer to the instructions concerning "Pre-Setting of Stations", on page 8.

④ AFT (Automatic Fine Tuning)

When this switch is pressed, the AFT is actuated. This is the normal setting when the T.V. set is in use. AFT automatically maintains correct fine tuning. Only when setting station, must this switch be in the released position.

⑤ Contrast

The contrast is the difference between the darker and lighter parts of the picture and is adjustable with this control knob by turning clockwise or anti-clockwise.

6 Brightness

The brightness of picture can be adjusted with this control knob.

7 Colour

You can adjust the colour saturation of picture with this control knob, observing the flesh tone of a human face,

AV (Audio Video) Connection

This unit is designed to allow the connection of AV apparatus (VCR, VTR, etc.)

When you use AV apparatus, push the Programme Selector Button "8 (AV)".

AV apparatus can be connected to the aerial socket of your TV receiver.

For further details, refer to the operating instructions for the AV apparatus.

Pre-Setting of Stations

This T.V. is equipped with eight programme selector buttons which can be set to select any VHF or UHF channel.

Adjustment Procedure

Refer to controls location on page 5.

When pre-set adjustment is necessary, open the control box by pulling right side of the door with your finger.

1. The AFT must be switched off, i.e. the AFT switch must be in the released position.
2. Push the selector button ③ on which you would like to pre-set a programme.
3. Re-set the band switch ⑩ to the position corresponding to the channel to be switched over as follows:

Band I	VHF Channels	1 3
Band III	VHF Channels	4 11
Band U	UHF Channels	21 69

The band switch can be easily tuned by using the adaptor knob ⑧ which is located in the control box.

4. Turn the tuning control ⑪ corresponding to the chosen button until the desired channel is indicated by the tuning indicator ⑫

Read the band I, III or U scale on the indicator corresponding to the band switch. The indicator will indicate the approximate tuning position.

The tuning control should be carefully adjusted for the best sound and picture on the desired channel.

5. Proceed in the same manner with the other programme pre-sets, as explained under items 2 – 4.
6. After having pre-set the required programmes, switch on AFT and close the control box door.

The programmes pre-setting has now been correctly completed and the future programme selection is limited to pressing the appropriate selector button.

Technical Data

Power Source	AC 230V , 50 Hz
Power Consumption	43 Watts
Television System	System – B/G
Colour System	PAL
Channel Coverage	VHF 1 – 11 UHF 21 – 69
Aerial Input Impedance	75 ohm
Picture Tube	37 cm diagonal, 90 degree
Audio Output	1.5 Watts
Semiconductors	8 Transistors 4 Integrated Circuits
High Voltage	21 kV stabilized
Dimensions	463(W) x 335(H) x 370(D) mm
Weight	11 Kg

Customer responsibilities list

BEFORE YOU CALL FOR SERVICE, check the following points which are your responsibility. A service charge will be made for service as a result of:

- 1. Power point not switched on or plug not pushed in.**
- 2. No power at power point. Check with small appliance.**
- 3. Aerial lead not properly connected.**
- 4. Controls not properly adjusted in accordance with operating instructions.**

Manufactured and assembled
in New Zealand under exclusive licence
to the Sanyo Electric Co. of Japan by:-

AUTOCRAT SANYO LTD.
142 Broadway, Newmarket,
Private Bag, Newmarket,
Auckland.

P/N 94-005921

Institute Press

CZP 3040