



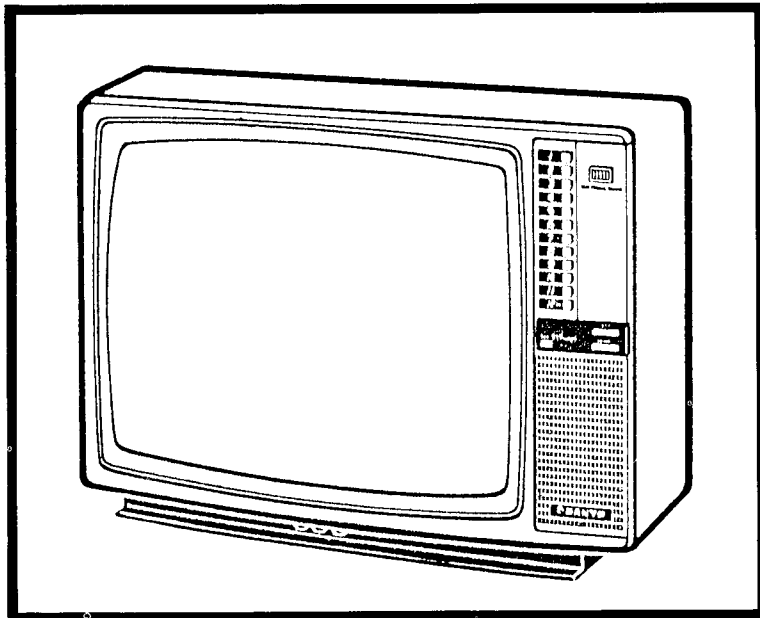
SANYO

CPZ6040

*Please read this booklet before attempting to
operate your T.V. set.*

SANYO COLOUR TELEVISION

OPERATING INSTRUCTIONS



We congratulate you on the purchase of your new Sanyo colour television. This set has been manufactured using the most advanced technical knowledge available and the most modern production and testing methods.

It complements the very high standard of modern colour transmission technology.

These are the important advantages of your colour T.V. set:

- Natural and brilliant colour reproduction and easy service.
- Excellent reception of distant stations because of the full electronic all band tuner, stabilized by AFT = Automatic Fine Tuning.
- Push button programme selection with indicator lights.
- Up to twelve programmes in your reception area can be memorised.
- Automatic control of important functions and the use of the latest transistors.

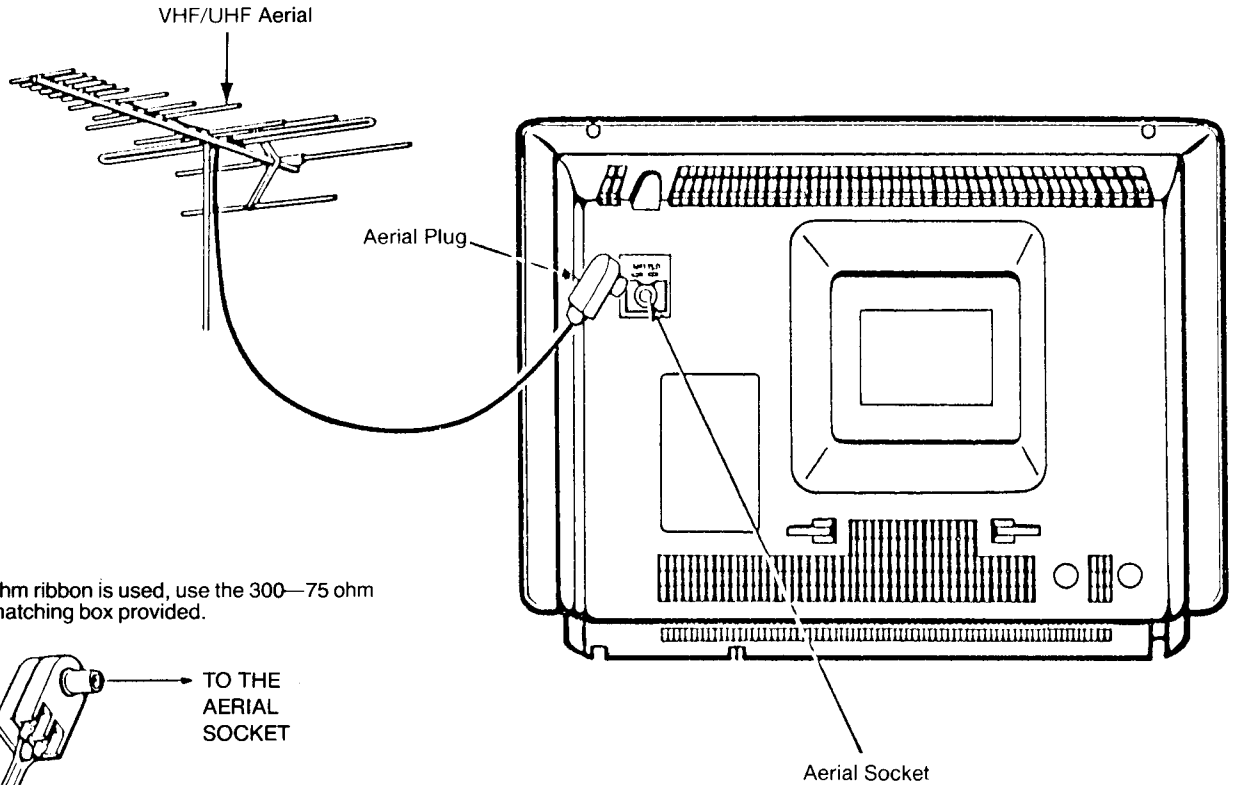
Autocrat Sanyo Ltd wish you many happy hours of enjoyment with your new Sanyo Colour Television.

Mains Supply

- The T.V. set is prepared for a mains voltage of 230Volts, 50Hz,AC.
 - Connect the power cord of the T.V. set to a wall power outlet.
-) When the T.V. set is not to be used for an extended period of time, it is advisable to disconnect the power cord from the power outlet.

WARNING! High Voltages are used in the operation of this T.V. set. Refer service to qualified service personnel.

Aerial Connection



Aerial

Refer to Aerial Connection on Page 2.

1. The aerial socket is located on the back of your T.V. set cabinet.
2. If your present aerial produces clear reception of black/white pictures, then no alterations to the existing aerial may be necessary.
3. A colour picture of good quality requires a higher aerial signal than a black/white picture. If you tune your set to a station with a weak colour signal, your T.V. set automatically changes to black/white reproduction.
4. Connect cable from VHF/UHF aerial to aerial socket on the cabinet back.
5. For all aerial problems please consult your local dealer.

"Snow" or a weak picture is the result of either a weak signal or a poor aerial. Reflections of signals from mountains or high buildings will cause multiple images, "Ghosts". (Refer to illustration). These abnormal conditions can be reduced to a minimum by repositioning the aerial or by installing a new one suitable for your area.

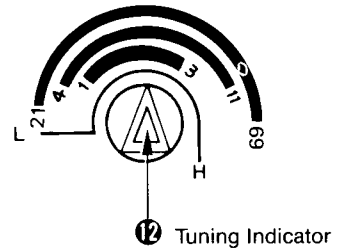
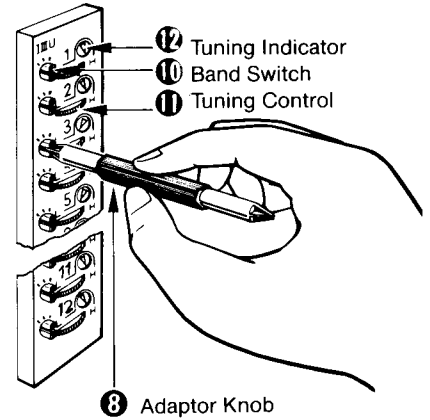
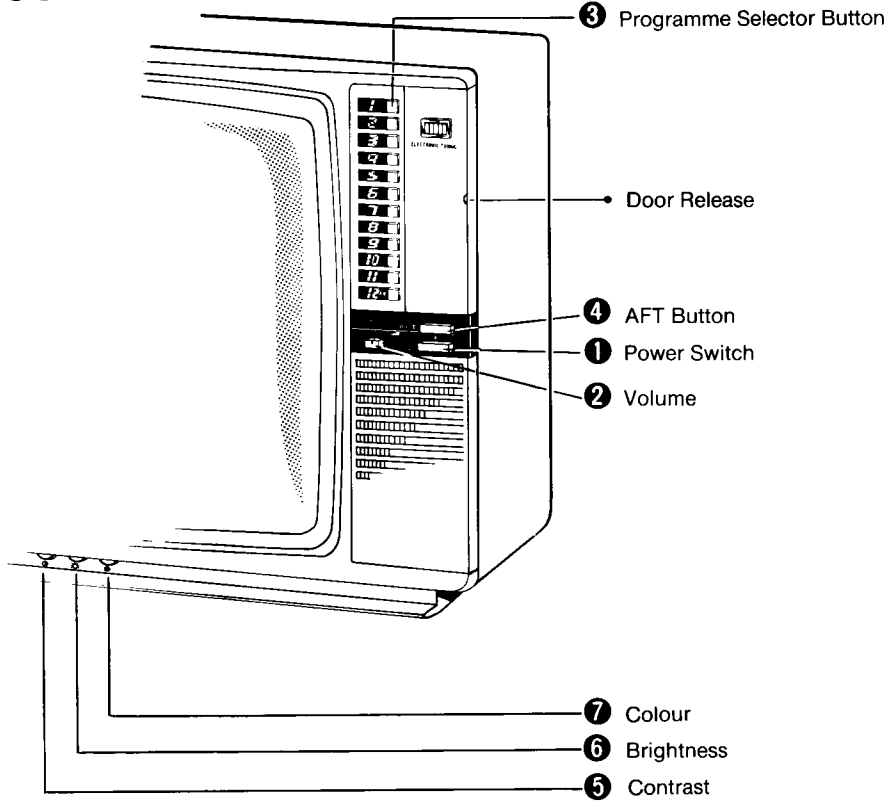


"SNOW"



"GHOSTS"

Controls



General Operation

Refer to Controls location on page 4.

① Power Switch

To switch T.V. set on, press this switch.

To switch T.V. set off, press it again.

② Volume

Slide this control knob to the right position to increase volume, as required.

③ Programme Selection

To change the programme, push the selector button ③ . To set the different T.V. stations, refer to the instructions concerning "Pre-Setting of Station". on page 8.

④ AFT (Automatic Fine Tuning)

When this switch is pressed, the AFT is actuated. This is the normal setting when the T.V. set is in use. AFT automatically maintains correct fine tuning. Only when setting station, must this switch be in the released position.

⑤ Contrast

The contrast is the difference between the darker and lighter parts of the picture and is adjustable with this control knob by turning clockwise or anti-clockwise.

⑥ Brightness

The brightness of picture can be adjusted with this control knob.

⑦ Colour

You can adjust the colour saturation of picture with this control knob, observing the flesh tone of a human face.

A.V. CONNECTION

Your T.V. receiver is capable of receiving the output of an AV apparatus such as a Video Tape Recorder or Personal Home Computer.

When you use an AV apparatus, push the CHANNEL SELECTOR BUTTON corresponding to PROGRAMME NUMBER "12(AV)

The AV apparatus should be connected to the aerial socket of your TV receiver.

For further details concerning this connection and adjustment, refer to the operating instructions for the AV apparatus.



Pre-Setting of Stations

This T.V. is equipped with twelve programme selector buttons which can be set to select any VHF or UHF channel.

Adjustment Procedure



Refer to controls location on page 4.

When pre-set adjustment is necessary, open the control box by pulling right side of the door with your finger.

1. The AFT must be switched off, i.e. the AFT switch must be in the released position.
2. Push the selector button  on which you would like to pre-set a programme.
3. Set the band switch  to the position corresponding to the channel to be tuned in as follows:

Band 1	VHF Channels	1	3
Band III	VHF Channels	4	11
Band U	UHF Channels	21	69

The band switch can be easily turned by using the adaptor knob  which is located in the control box.

4. Turn the tuning control  corresponding to the chosen button until the desired channel is indicated by the tuning indicator .

Read the band I, III or U scale on the indicator corresponding to the band switch. The indicator will indicate the approximate tuning position.

The tuning control should be carefully adjusted for the best sound and picture on the desired channel.

5. Proceed in the same manner with the other programme pre-sets, as explained under items 2-4.
6. After having pre-set the required programmes, switch on AFT and close the control box door.

The programmes pre-setting has now been correctly completed and the future programme selection is limited to pressing the appropriate selector button.

Technical Data

Power Source	AC 230V, 50Hz
Power Consumption	67 Watts
Television System	System — B/G
Colour System	PAL
Channel Coverage.....	VHF 1 — 11 UHF 21 — 69
Aerial Input Impedance	75 ohm
Picture Tube	48 cm diagonal, 90 degree
Audio Output	3.0 Watts
Semiconductors	11 Transistors 4 Integrated Circuits
High Voltage	24 kV stabilised
Dimensions	590(W) x 427(H) x 460(D)mm
Weight	21 Kg

Customer responsibilities list

Before you call for service, check the following points which are your responsibility. A service charge will be made for service as a result of:

- 1. Power point not switched on or plug not pushed in.**
- 2. No power at power point. Check with small appliance.**
- 3. Aerial lead not properly connected.**
- 4. Controls not properly adjusted in accordance with operating instructions.**

Manufactured and assembled
in New Zealand under exclusive licence
to the Sanyo Electric Co. of Japan by:-

AUTOCRAT SANYO LTD.
142 Broadway, Newmarket,
Private Bag, Newmarket,
Auckland.

P/N 94-005920

Institute Press

CZP 6040