

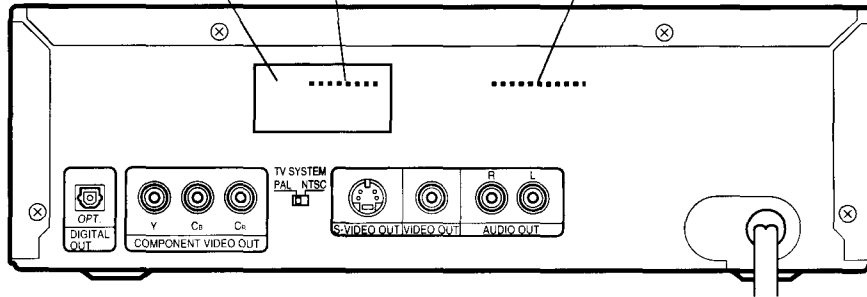


# PRECAUTIONS

CLASS 1 LASER PRODUCT  
LUOKAN 1 LASERLAITE  
KLASS 1 LASERAPPARAT



CAUTION - INVISIBLE LASER RADIATION WHEN OPEN AND INTERLOCKS DEFEATED. AVOID EXPOSURE TO BEAM.
ADVARSEL - USYNLIG LASER STRÅLING VED ÅBNING, NÅR SIKKERHEDSAFBRYDERE ER UDE AF FUNKTION, UNDGÅ UDSÆTTELSE FOR STRÅLING.
VARNING - OSYNLIG LASER STRÅLNING NÅR DENNA DEL ÄR ÖPPNAD OCH SPÄRR ÄR URKOPPLAD. STRÅLEN ÄR FARLIG.
VORSICHT - UNSICHTBARE LASERSTRAHLUNG TRITT AUS, WENN DECKEL GEÖFFNET UND WENN SICHERHEITSVERRIEGELUNG ÜBERBRÜCKT IST. NICHT, DEM STRAHL AUSSETZEN.
VARO - AVATTAESSA JA SUOJÄLUKITUUS OHITETTAESSA OLET ALTTIINA NÄKYMÄTTÖMÄLLE LASERSÄTEILYLLE. ÄLÄ KATSO SÄTEESEEN.



**CAUTION** - USE OF CONTROLS OR ADJUSTMENTS OR PERFORMANCE OF PROCEDURES OTHER THAN THOSE SPECIFIED IN THE OPERATING INSTRUCTIONS MAY RESULT IN HAZARDOUS RADIATION EXPOSURE. THE DVD PLAYER SHOULD NOT BE ADJUSTED OR REPAIRED BY ANYONE EXCEPT PROPERLY QUALIFIED PERSONNEL.

- The apparatus shall not be exposed to dripping or splashing.
- Do not use where there are extremes of temperature (below 5°C or exceeding 35°C) or where direct sunlight may strike it.
- Because of the DVD player's extremely low noise and wide dynamic range, there might be a tendency to set the volume on the amplifier unnecessarily high. Doing so may produce an excessively large output from the amplifier which could damage your speakers.
- Sudden changes in the ambient temperature may cause condensation to form on the optical lens inside the unit. If this happens, take out the disc, leave the unit for about 1 hour, and then proceed to operate.
- When carrying the unit, be sure to remove any discs which may be inside and turn the power off. Wait at least 10 seconds, then unplug the mains lead from the AC outlet. Carrying the unit with any discs inside may damage the disc and/or the unit.
- Do not install this equipment in a confined space, such as a book case or built in cabinet.

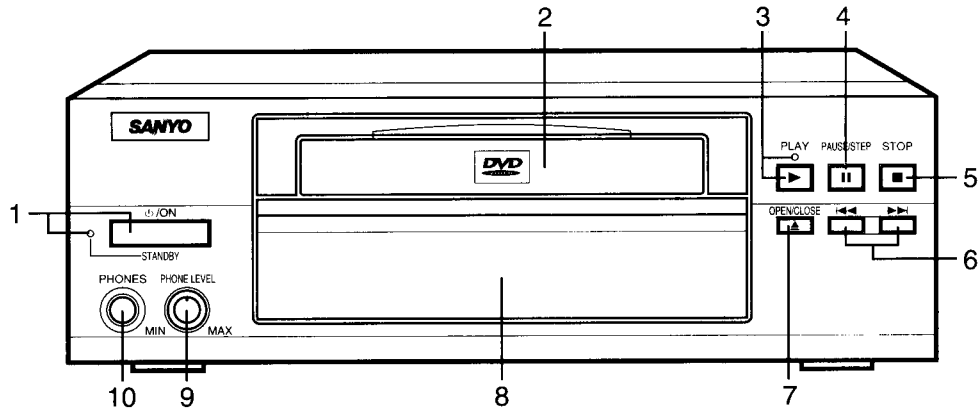
#### Important Information:

To connect this DVD player to a TV, TV must have a set of Audio/Video composite input sockets. You cannot use an antenna terminal to connect this DVD player.

This product incorporates copyright protection technology that is protected by method claims of certain U.S. patents and other intellectual property rights owned by Macrovision Corporation and other rights owners. Use of this copyright protection technology must be authorized by Macrovision Corporation, and is intended for home and other limited viewing uses only unless otherwise authorized by Macrovision Corporation. Reverse engineering or disassembly is prohibited.

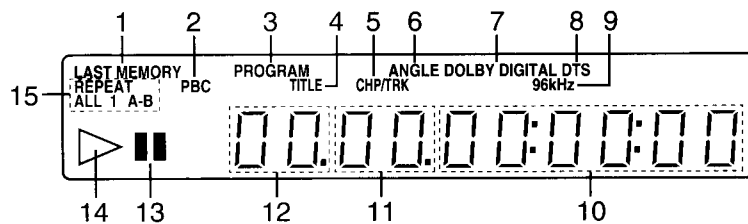
# CONTROLS

## Front panel



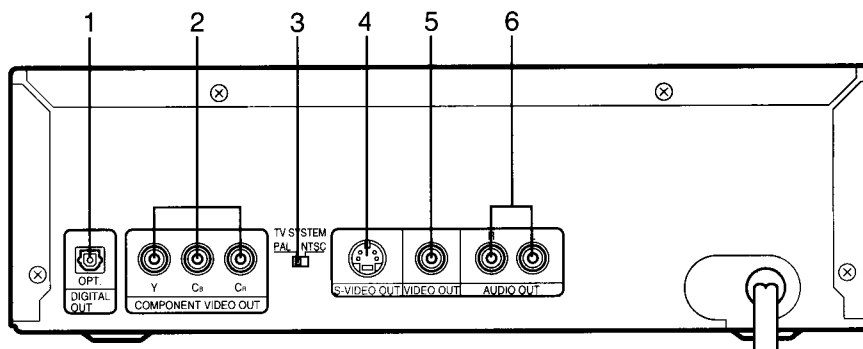
- |   |  |
|---|--|
| 1. Power button/Standby indicator (⏻/ON, STANDBY) | 6. Skip/Next/Previous buttons (⏮, ⏭)       |
| 2. Disc tray                                      | 7. Open/Close button (OPEN/CLOSE)          |
| 3. Play button/indicator (PLAY)                   | 8. Display                                 |
| 4. Pause/Step button (PAUSE/STEP)                 | 9. Headphones volume control (PHONE LEVEL) |
| 5. Stop button (STOP)                             | 10. Headphones socket (PHONES)             |

## Display



- |  |   |
|--|---|
| 1. Last memory indicator (LAST MEMO)             | 9. PCM 96kHz sampling frequency indicator (96kHz) |
| 2. Playback control indicator for Video CD (PBC) | 10. Elapsed and Remaining playing time indicator  |
| 3. Programme indicator (PROGRAM)                 | 11. Chapter and Track number indicator            |
| 4. Title indicator (TITLE)                       | 12. Title number indicator                        |
| 5. Chapter/Track indicator (CHP/TRK)             | 13. Pause indicator (⏸)                           |
| 6. Angle indicator (ANGLE)                       | 14. Play indicator (▶)                            |
| 7. Dolby Digital indicator (DOLBY DIGITAL)       | 15. Repeat mode indicators (REPEAT, ALL, 1, A-B)  |
| 8. DTS indicator (DTS)                           |   |

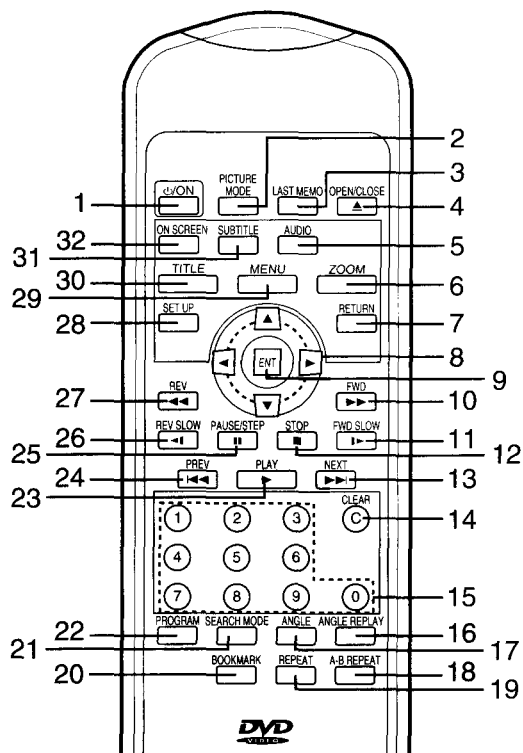
## Rear panel



- |   |  |
|---|--|
| 1. Optical digital output socket (DIGITAL OUT)          | 4. S-Video output socket (S-VIDEO OUT) |
| 2. Component video output sockets (COMPONENT VIDEO OUT) | 5. Video output socket (VIDEO OUT)     |
| 3. TV system select switch (TV SYSTEM)                  | 6. Audio output sockets (AUDIO OUT)    |

# REMOTE CONTROL

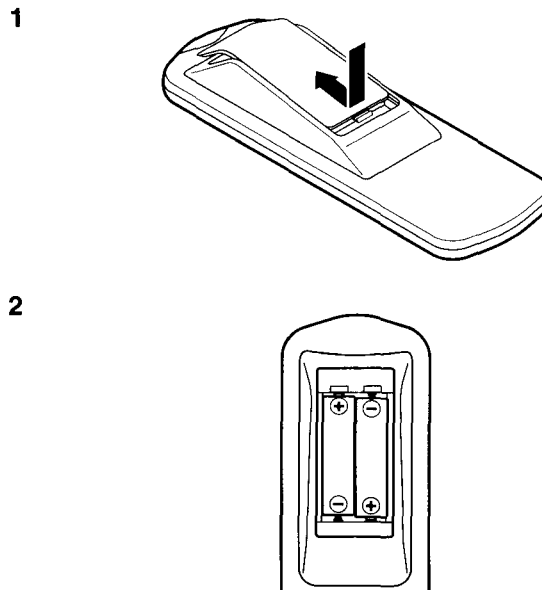
## Controls



1. Power button (⏻/ON)
2. Picture mode button (PICTURE MODE)
3. Last memory (LAST MEMO)
4. Open/Close button (OPEN/CLOSE)
5. Audio button (AUDIO)
6. Zoom button (ZOOM)
7. Return button (RETURN)
8. Directional arrow buttons (▲, ▶, ▼, ◀)
9. Enter button (ENT)
10. Forward button (FWD)
11. Forward slow button (FWD SLOW)
12. Stop button (STOP)
13. Skip/Next button (NEXT)
14. Clear button (CLEAR)
15. Number buttons (1 – 9, 0)
16. Angle replay button (ANGLE REPLAY)
17. Angle button (ANGLE)
18. A-B repeat button (A-B REPEAT)
19. Repeat button (REPEAT)
20. Bookmark button (BOOKMARK)
21. Search mode button (SEARCH MODE)
22. Programme button (PROGRAM)
23. Play button (PLAY)
24. Skip/Previous button (PREV)
25. Pause/Step button (PAUSE/STEP)
26. Reverse slow button (REV SLOW)
27. Reverse button (REV)
28. Set up button (SET UP)
29. Menu button (MENU)
30. Title button (TITLE)
31. Subtitle button (SUBTITLE)
32. On screen display button (ON SCREEN)

## Inserting batteries

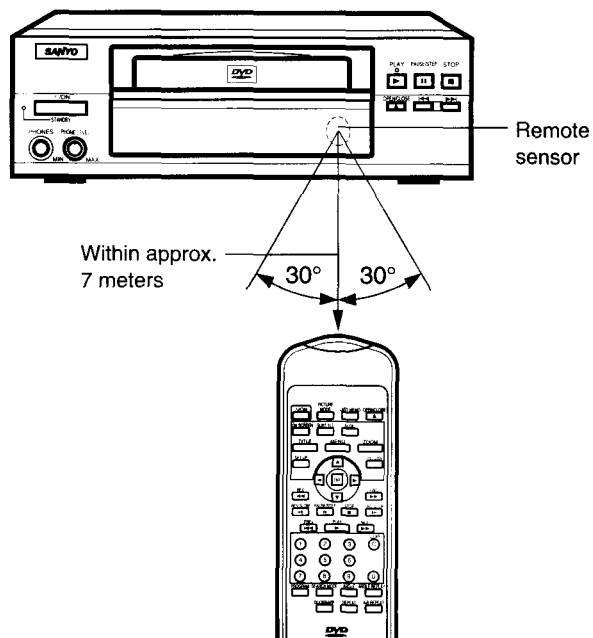
Install two "R6/AA" batteries (not supplied) as shown below



### Note:

Remove the batteries if the remote control is not to be used for a month or more. Batteries left in the unit may leak and cause damage.

## Remote control range



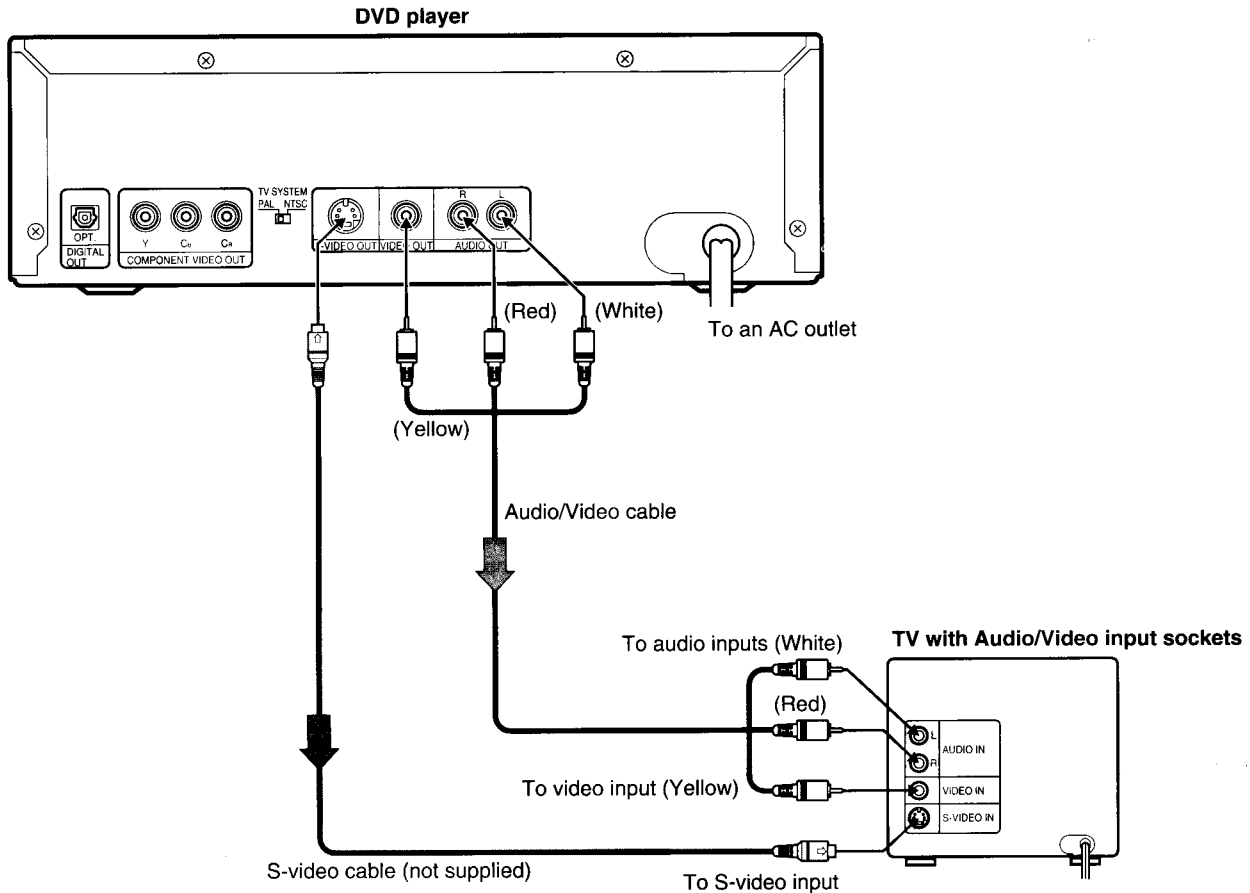
# BASIC CONNECTIONS

## Selecting TV system

Before connecting, be sure the TV SYSTEM switch (rear of the unit) setting corresponds with your local TV system (NTSC or PAL).

## Connecting to a TV

Connect the DVD player to your TV. This is the easiest way to hook up the DVD player.



## Notes on connections

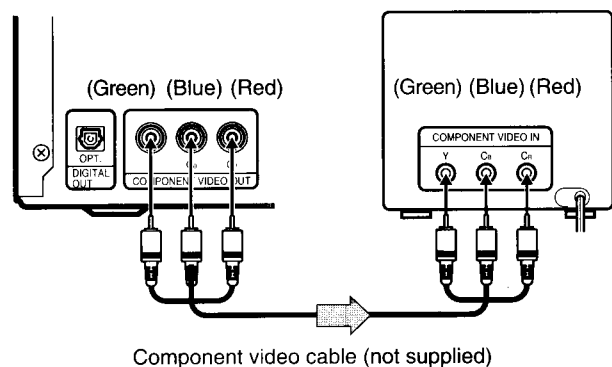
- Please refer to the instruction manuals with the Audio system and TV.
- When you connect the DVD player to your TV and other equipment, be sure to turn off the power and disconnect all of the equipments from the wall outlet until all the connections have been made.
- If your TV has the S-video input socket, connect the DVD player with a S-video cable (not supplied). You can enjoy clearer picture play.
- If your TV has one audio input socket, connect the DVD player to a Y cable adapter (not supplied) and then connect it to the TV.
- Do not connect the DVD player to a VCR directly. The playback picture will be distorted because DVD discs are copy protected.
- Please consult your local audio/video dealer for more details.
- The DVD player is not completely disconnected from the mains when the  $\odot$ /ON button is set to the  $\odot$  position.

## Headphones

Connect stereo headphones (not supplied) to the PHONES socket for monitoring or for private listening.

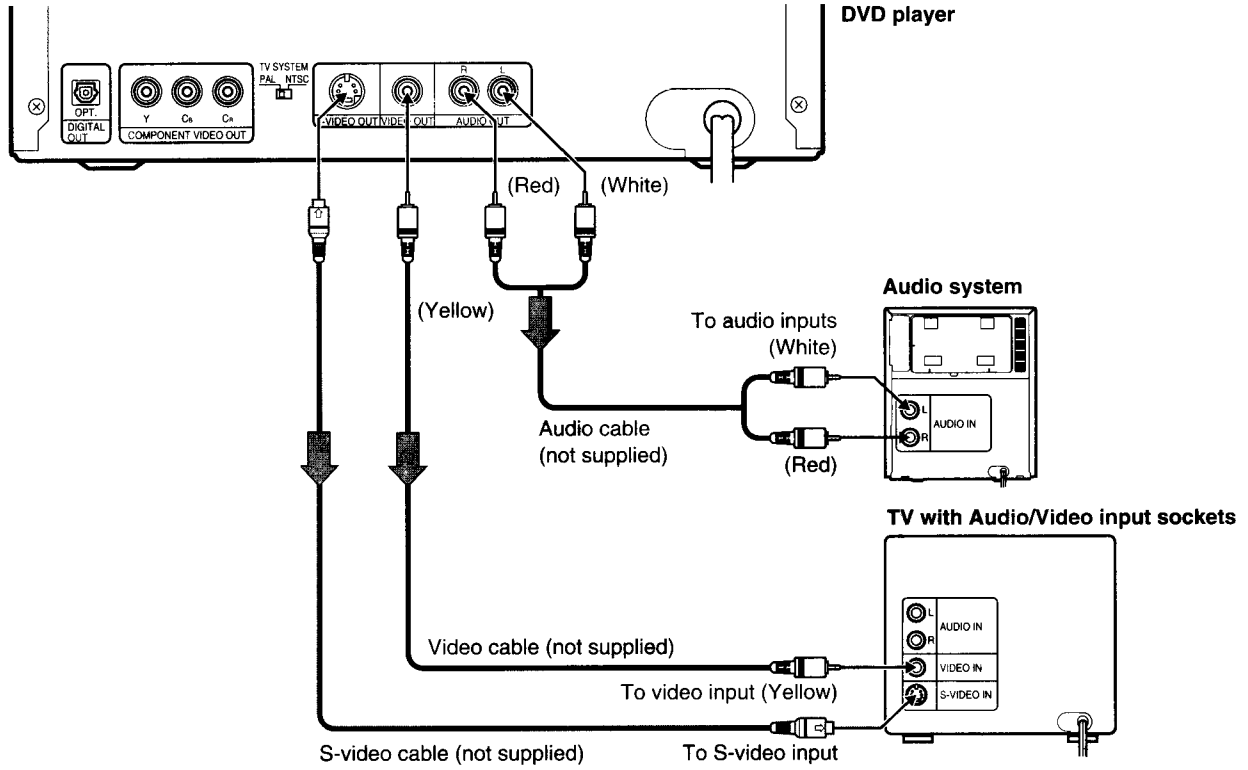
- Set the PHONE LEVEL control to MIN before connecting the headphones.
- Use the PHONE LEVEL control to adjust the volume of the headphones.

If your TV has the component video input sockets, connect the DVD player to these sockets as shown below, instead of the VIDEO OUT or S-VIDEO OUT sockets. You can enjoy high quality picture playback.



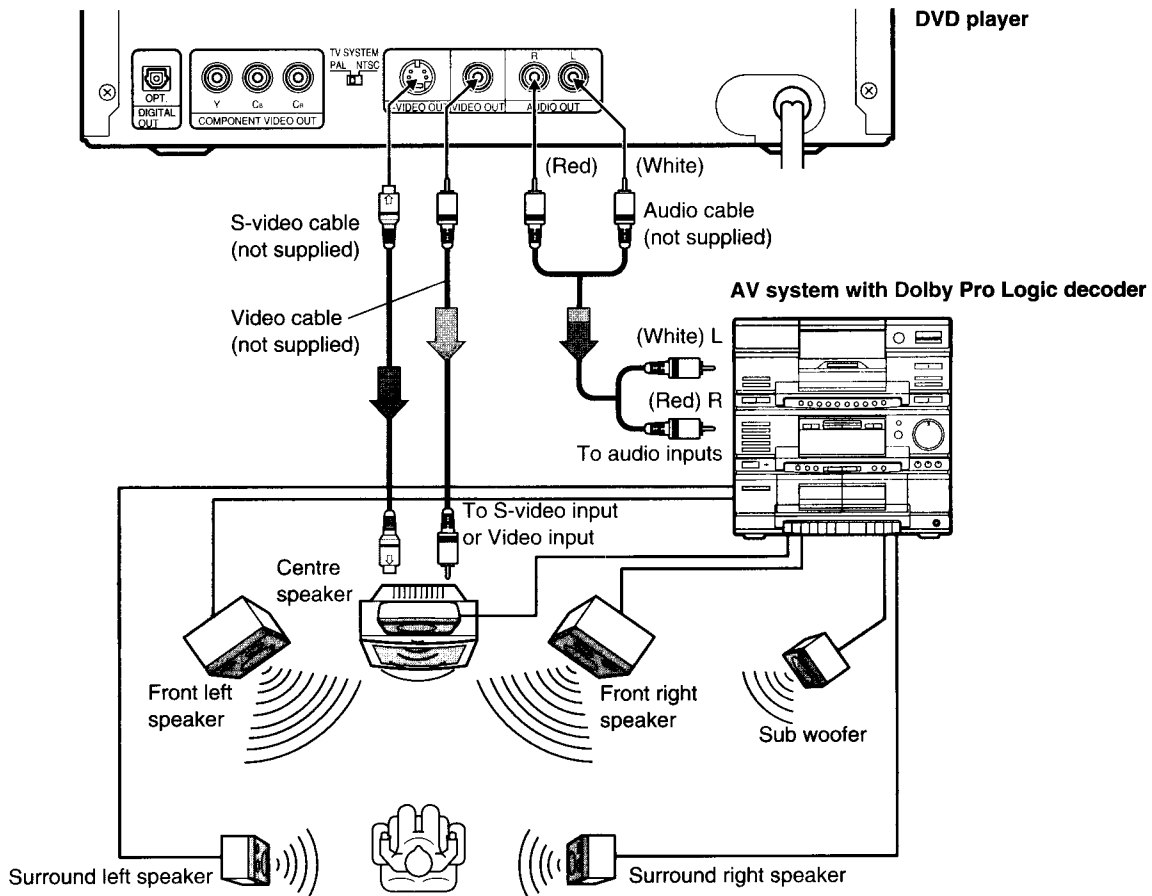
# ADDITIONAL CONNECTIONS EXAMPLES

## Connecting to an Audio system and TV



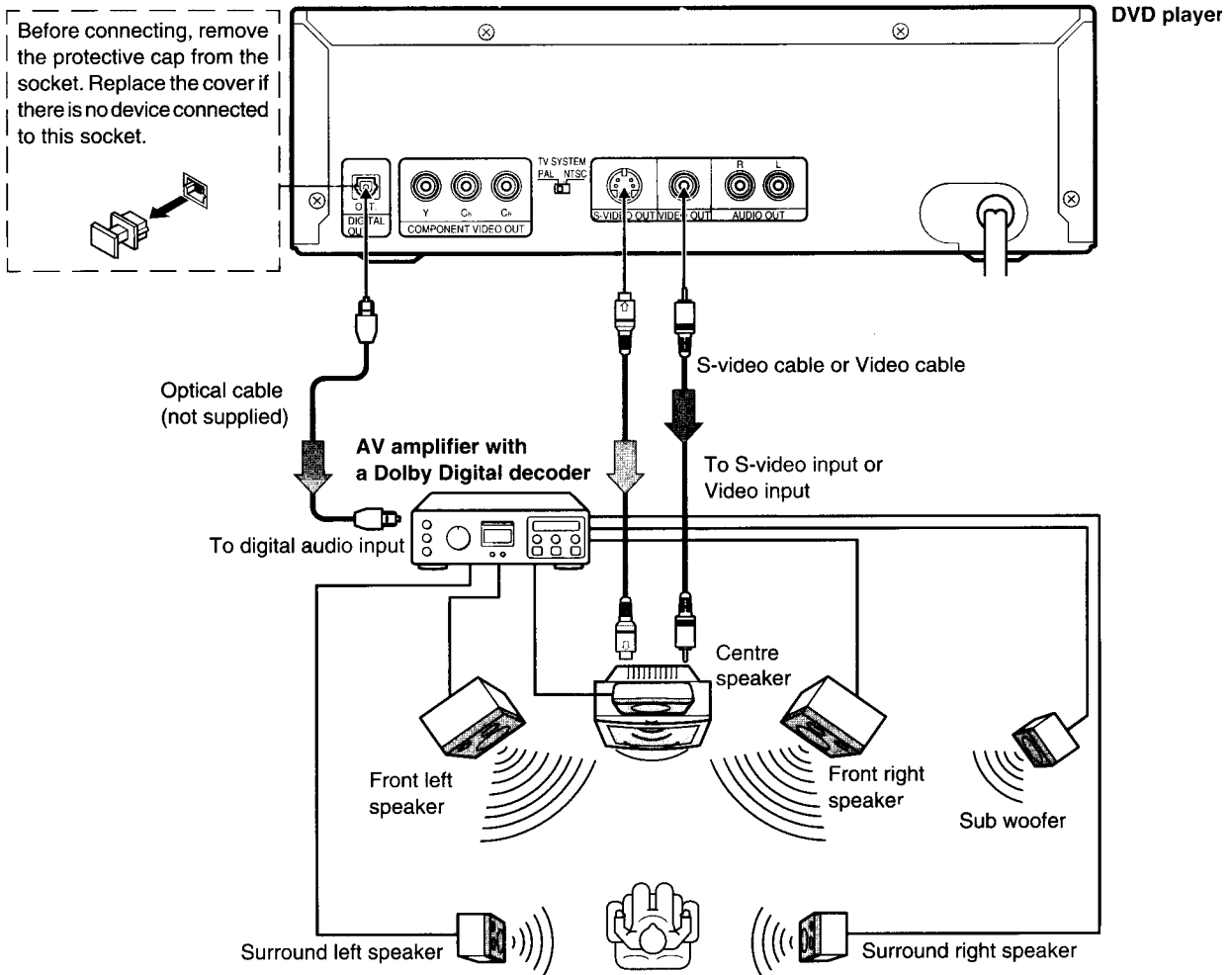
## Connecting to an AV system with Dolby Pro Logic decoder

If your AV system has a Dolby Pro Logic decoder, please refer to the following example connection.



## Connecting to an AV amplifier with Dolby Digital (AC-3) decoder

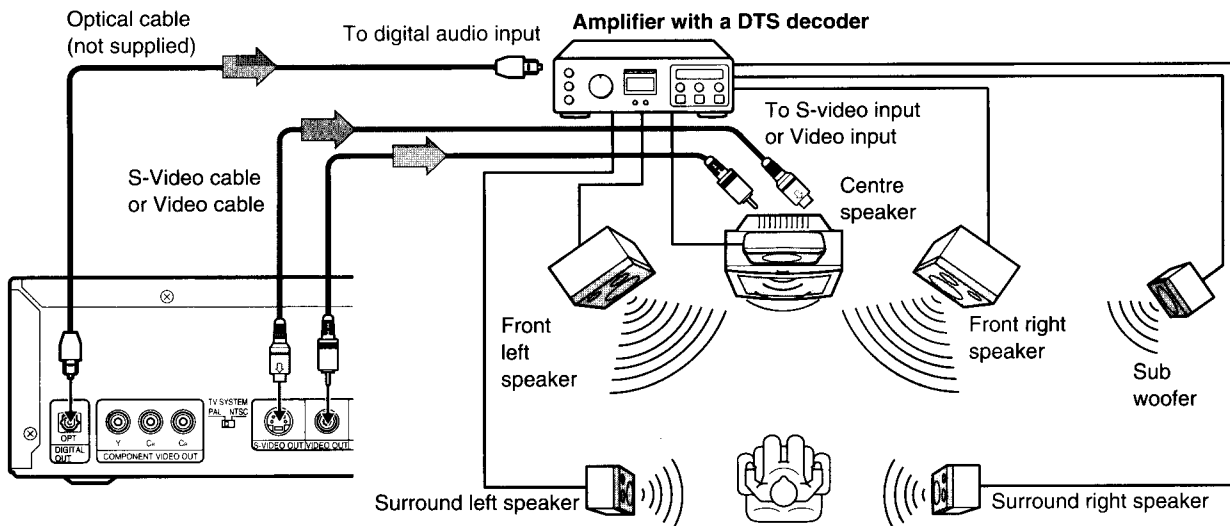
You can enjoy the surround sound that DVD discs recorded in Dolby Digital.



Manufactured under license form Dolby Laboratories.

"Dolby", "AC-3" and the double-D symbol are trademarks of Dolby Laboratories. Confidential Unpublished Works. ©1992-1997 Dolby Laboratories, Inc. All rights reserved.

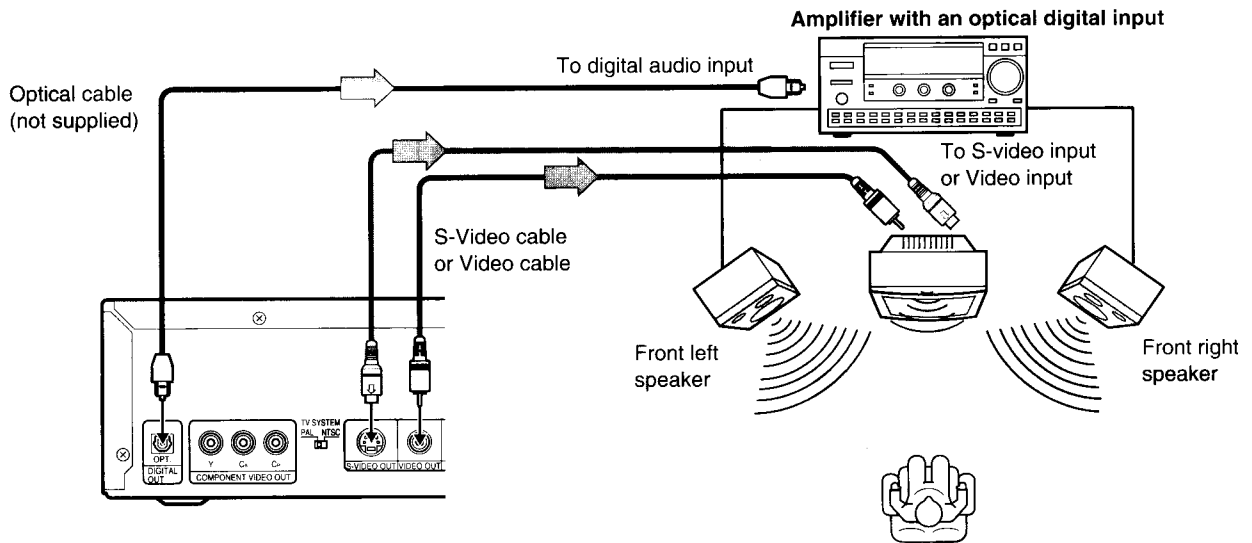
## Connecting to an Amplifier with a DTS decoder



"DTS" and "DTS Digital Out" are trademarks of Digital Theater Systems, Inc

## Connecting to a Digital amplifier





You can enjoy 2 Channel Digital stereo sound.





# PLAYABLE DISCS

The following types of discs can be played on this unit.

Disc type and logo mark		Recorded content	Disc size	Maximum playing time
DVD Video		Audio + Video	12 cm	Approx. 4 hours (Single sided disc) Approx. 8 hours (Double sided disc)
			8 cm	Approx. 80 minutes (Single sided disc) Approx. 160 minutes (Double sided disc)
Video CD	 	Audio + Video	12 cm	74 minutes
			8 cm	20 minutes
Music CD		Audio	12 cm	74 minutes
			8 cm	20 minutes

## Region number

Region number (Regional restriction code) is built-in to the DVD player and DVD discs.



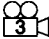
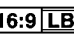

There is a region number on the rear of the unit.

The same region number or region number "ALL" of DVD discs can be used on this unit.

## DVD disc

There are the marks on some DVD disc package.

Examples:

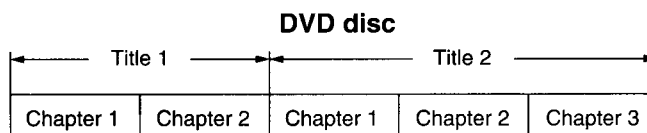
-  Multiple Languages
-  Multi-language subtitles
-  Multi-Angle
-  Multi-Aspect
-  Region number

Note:

- Only the above types of discs can be played on this unit. DVD-ROM, CD-ROM, CD-R, SVCD, CVD, etc. cannot be played.
- This unit is to be used exclusively with the NTSC or PAL colour system. SECAM system discs cannot be used with this unit.

## DVD disc

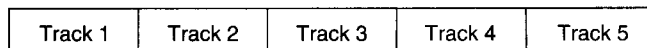
DVD discs are divided into titles, and the titles are sub-divided into chapters.



## Video CD/Music CD disc

Video CD and Music CD discs are divided into tracks.

### Video CD/Music CD disc



## Notes on handling discs

- Do not expose the disc to direct sunlight, high humidity or high temperatures for extended periods of time.
- Discs should be returned to their cases after use.
- Do not apply paper or write anything on the disc surface.
- Handle the disc by its edge. Do not touch the playing surface (glossy side).
- Fingerprints and dust should be carefully wiped off the playing surface of the disc with a soft cloth.  
Wipe in a straight motion from the centre to the outside of the disc.
- Never use chemicals such as record cleaning sprays, antistatic sprays or fluids, benzene or thinner to clean discs.

# BASIC OPERATION

## Important note:

- This instruction manual explains the basic instruction of this DVD player using the remote control unit.
- Some DVD or Video CD discs have different functions that may not be explained in this instruction manual. You may be needed extra instructions. In this case, please follow the instructions displayed on the TV screen or jacket or case of the disc.
- "⊘" may appear on the TV screen during operation. This icon means that the function is not available on the disc now.

## Before starting

- Turn on the power (TV, Audio system, AV amplifier, etc.).
- Select the video input source.
- Select the playback picture size according to the aspect ratio of the TV.
- Select the audio input source.

## Basic play

### Note:

- Do not touch the disc tray while it is moving.
- Never place anything except a disc on the disc tray. Foreign objects can damage the unit.
- Do not apply excessive force to the disc tray.
- Discs must be placed on the disc tray one at a time.

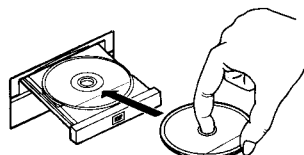
When operation buttons are pressed, that operation is displayed on the TV screen. The display turns off after several seconds.

1. Press the  $\odot$ /ON button.
  - The STANDBY indicator turns off.
  - "SANYO" logo appears on the TV screen.
  - "READING" appears on the display, then "READING" is replaced by "NO DISC".
2. Press the OPEN/CLOSE button.
  - "OPEN" appears and the disc tray opens.

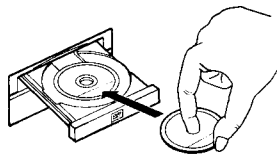
### Note:

To open or close the disc tray, be sure to use the OPEN/CLOSE button. Do not press the disc tray with your hand.

3. Place the disc with the label facing up on the disc tray.



For 12 cm disc



For 8 cm disc

4. Press the PLAY button. The disc tray closes.
  - "READING" appears on the display.Play starts automatically. "Play ►" briefly appears on the screen.
  - "►" appears on the display and the PLAY indicator lights.

### Note:

If the disc is loaded with the label side downward (and it is a single sided disc), or if a badly scratched disc is loaded, "NO DISC" (or "DISC ERROR" or "NO PLAY") appears. If this occurs, load the disc correctly or replace the disc.

## If a menu screen appears on the TV screen...

Press the  $\blacktriangle$ ,  $\blacktriangleright$ ,  $\blacktriangledown$  or  $\blacktriangleleft$  button (or the number buttons), then press the ENT button to select the desired item.

Playback of the selected item will start.

### Note:

For more details, please refer to the jacket or case of the disc.

## Stopping play

Press the STOP button.

The player memories the point where you stopped.

- "Stop" appears.

If you press the PLAY button again, play starts automatically from the point where you stopped. (Resuming Playback)

### Note:

- Some discs may not start resuming playback.
- If the STOP button is pressed twice, the player stops completely.

## Continuing play from where you stopped watching (LAST MEMO PLAY)

### Note:

You must set "LastMemo Play: ON" first. (See "DISPLAY" in "INITIAL SETTINGS".)

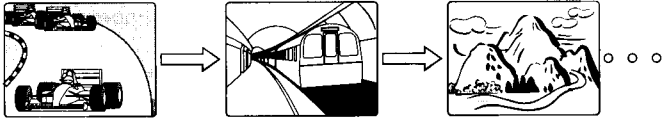
1. Press the LAST MEMO button to stop play. "Last Memo" briefly appears on the screen. "LAST MEMORY" appears on the display.
2. Press the OPEN/CLOSE button to open the disc tray to change the disc, or press the  $\odot$ /ON button to turn off the power.
3. Load the disc and press the PLAY button, or press the  $\odot$ /ON button again. "Last Memo Play" briefly appears on the screen. Play resumes from the point where you stopped. (The memory is released.)  
If desired, press the LAST MEMO button again.

### Note:

- Points on up to 5 discs can be memorized.
- The Last Memo Play mode may not work correctly with some discs.

# VARIOUS PLAYING FUNCTIONS

## Chapter (Track) skip



### Skipping forward

Press the NEXT button (or the ►► button on the front panel) during play to skip to the next chapter (or track). "Search" appears on the screen. A chapter (or track) is skipped each time the button is pressed.

### Skipping back

Press the PREV button (or the ◀◀ button on the front panel) during play to skip back to the beginning of the chapter (or track) currently play. "Search" appears on the screen. Press the button again immediately to skip back to the beginning of the previous chapter (or track).

## Title/Chapter (Track) search

1. Press the SEARCH MODE button once during play or in the stop mode. "TITLE/CHAPTER SEARCH" or "TRACK SEARCH" screen appears.
2. Press the number buttons to enter the title (or track) number.
3. Press the ▼ button.
4. Press the number buttons to enter the chapter number. (For Video CD and Music CD, skip this step.)  
Note:
  - If you made a mistake, press the CLEAR button.
  - If you want to exit the "TITLE/CHAPTER SEARCH" or "TRACK SEARCH" screen, press the SEARCH MODE button twice.
5. Press the ENT button. The selected title and chapter (or track) play starts.

## Time search

1. Press the SEARCH MODE button twice during play or in the stop mode. "TIME SEARCH" screen appears.
2. Press the number buttons to enter the time.  
Example:

20 minutes 5 seconds	Press 2, 0, 0 and 5.
42 minutes 39 seconds	Press 4, 2, 3 and 9.
1 hour 4 minutes 35 seconds	Press 1, 0, 4, 3 and 5.

  
Note:
  - If you made a mistake, press the CLEAR button.
  - If you want to exit the "TIME SEARCH" screen, press the SEARCH MODE button.
3. Press the ENT button. Play starts from the searched time.

## Fast play

### Fast forward play

Press the FWD button repeatedly to select the fast speed forward play  
DVD/Video CD: "FF1", "FF2" and "FF3"  
Music CD: "FF1" and "FF2"

Press the PLAY button to return to normal play.

### Fast reverse play

Press the REV button repeatedly to select the fast speed reverse play.  
DVD/Video CD: "FR1", "FR2" and "FR3"  
Music CD: "FR1" and "FR2"

Press the PLAY button to return to normal play.

## Slow-motion play

### Forward slow play [DVD], [Video CD]

Press the FWD SLOW button repeatedly to select the forward slow speed play (3 steps: "SF1", "SF2" and "SF3").  
Press the PLAY button to return to normal play.

## Reverse slow play [DVD]

Press the REV SLOW button repeatedly to select the reverse slow speed play (3 steps: "SR1", "SR2" and "SR3").  
Press the PLAY button to return to normal play.

Note:

The sound is muted during fast play or slow-motion play.

## Still picture (Pause)

[DVD], [Video CD]: Still picture mode, [CD]: Pause mode

Press the PAUSE/STEP button during play. "II" appears and the PLAY indicator blinks. "Pause II" appears on the TV screen.  
Press the PLAY button to return to normal play.

Note: The sound is muted.

## Frame by frame advance play [DVD], [Video CD]

Press the PAUSE/STEP button during still play. "Step II►" appears on the screen.

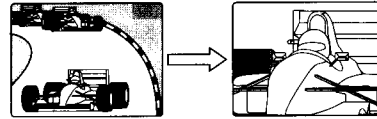
Each time the button is pressed, the picture advances one frame.

Press the PLAY button to return to normal play.

Note:

- The sound is muted.
- Frame play is operated forward only.

## Zoom feature [DVD]



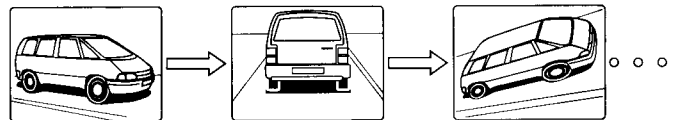
1. Press the ZOOM button during normal play or still play.  
The player magnifies the image (2 times) in the centre of the picture.
2. Press the ▲, ▼, ◀ or ► button to change the zoom point.
3. To return to normal play or still play, press the ZOOM button again.

Note:

Some discs may not work Zoom feature.

## Viewing from a desired camera angle (Multi-Angle)

Some DVD discs may contain scenes which have been shot simultaneously from a number of different camera angles.



The jacket or case of discs that are recorded with angles will be marked.  
Example:



Note:

The recorded angles differ depending on the disc used.

1. Play the disc that is recorded with angles.
2. Press the ANGLE button repeatedly until the desired angle appears.

Example:

Angle  
03

## Angle replay

During Multi-angle play screen, press the ANGLE REPLAY button. The player skips back to last approximately 10 seconds, changes it to the next camera angle and plays it, and continues play. If desired, press the button again.

## Normal repeat play

Press the REPEAT button during play (or programmed play) of the title or chapter (or track) you want to repeat. Each time the button is pressed, the repeat mode will be changed as follows.

### [DVD]

All Repeat: Repeat all titles  
Title Repeat: Repeat of title being played  
Chapter Repeat: Repeat of chapter being played  
(Program Repeat: Repeat programmed play)  
Clear: Normal play mode

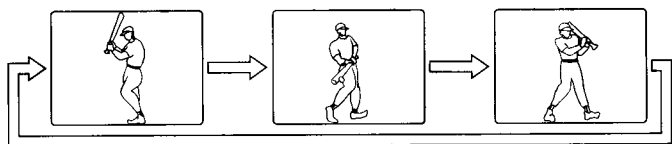
### [Video CD], [CD]

All Repeat: Repeat all tracks  
Repeat 1: Repeat of track being played  
(Program Repeat: Repeat programmed play)  
Clear: Normal play mode

#### Note:

When "All Repeat" appears on the TV screen, "REPEAT ALL" appears on the display. But, "REPEAT 1" appears on the display in all other repeat modes.

## Designated range repeat play (A-B Repeat)



1. Press the A-B REPEAT button during play at the beginning of the section you want to repeat (Point A). "Repeat A-" briefly appears on the screen. "REPEAT A-B" blinks on the display.
2. Press the A-B REPEAT button during play at the end of the section you want to repeat (Point B). "Repeat A-B" briefly appears on the screen. "REPEAT A-B" remains lit. The section between points A and B is played repeatedly.  
Note:  
For Video CD, wait 2 seconds at least before pressing the button.
3. To return to normal play, press the A-B REPEAT button again. "Clear" briefly appears on the screen.

#### Note:

Normal repeat play or A-B repeat play mode may not work correctly with some discs.

## Return button (RETURN) for Video CD

Normally, it returns to the previous menu during play when the RETURN button is pressed.

#### Note:

The operation differs according to the content of the Video CD.

## Programmed play

Up to 32 selections can be programmed

### Programming procedure

1. Press the PROGRAM button during play or stop mode. "PROGRAM" screen appears. "PROGRAM" blinks and "Pr 1" appears on the display.
2. Press the ▲, ▼, ◀ or ▶ button to select the title, chapter or track.
3. Press the ENT button.
4. Repeat steps 2-3 above to select another title, chapter or track

Example:

ALL CLEAR		
No. :	T,	C
1	:	2, 9
2	:	
3	:	
4	:	
5	:	
6	:	
7	:	
8	:	
9	:	
10	:	

TITLE
-
1
2
3
4

CHAPTER
ALL
1
2
3
4
5
6
7
8
9

Programme number

#### Note:

- If you made a mistake, press the CLEAR button.
  - If you want to exit the "PROGRAM" screen, press the PROGRAM button.
5. Press the PLAY button to start play. "PROGRAM" remains lit. When all programmed selections have been played, the player stops automatically.
    - The programme contents are retained in memory.

### To clear the programme one by one

Press the ▲, ▼, ◀ or ▶ button to select the programme number. Then press the CLEAR button.

### To clear all the programmes

Press the ▲, ▼, ◀ or ▶ button to select "ALL CLEAR". Then press the ENT button.

## Storing bookmarks in memory to be viewed (listened to) again

Storing a Bookmark in the player's memory is similar to marking your page in a book. You can quickly return to any point on the disc.

#### Note:

Some discs may not work Bookmark function.

### Storing a bookmark in the memory

Up to 5 points can be memorized for each 5 discs.

1. Press the BOOKMARK button during play. "BOOKMARK" screen appears.

Example:

No:	T, C
1:	NONE
2:	NONE
3:	NONE
4:	NONE
5:	NONE

2. Press the ▲ or ▼ button to select the bookmark number.

- Press the ENT button at the starting point to be viewed (listened to) again.

Example:

No: T, C  
 1: ENTRY 1, 6  
 2: NONE  
 3: NONE  
 4: NONE  
 5: NONE

Note:

- If you made a mistake, press the CLEAR button.
- If you want to exit the "BOOKMARK" screen, press the BOOKMARK button.

#### Recalling a bookmark

- Press the BOOKMARK button during play.
- Press the ▲ or ▼ button to select the bookmark number to be recalled.
- Press the PLAY button. Play resumes from the point corresponding to the selected bookmark.

#### Clearing a bookmark

- Press the BOOKMARK button.
- Press the ▲ or ▼ button to select the bookmark number to be cleared.
- Press the CLEAR button.

#### Selecting a title menu

- Press the TITLE button. A list of the titles on the disc appears.  
 Note:  
 Press the TITLE button again to resume play from the scene when the TITLE button was first pressed.
- Press the ▲, ▼, ◀ or ▶ button (or the number buttons) to select the desired title.
- Press the ENT button. The selected title play starts.

#### Selecting a DVD menu

- Press the MENU button. The main menu screen appears.  
 Note:  
 Press the MENU button again to resume play.
- Press the ▲, ▼, ◀ or ▶ button (or the number buttons) to select the desired menu.
- Press the ENT button. The selected menu play starts.

Note:

- The selecting a title or DVD menu operation may differ depending on the disc used.
- Selecting a title or DVD may not be possible on some discs.

#### Selecting subtitle language

This operation works only with discs on which multiple subtitle languages are recorded.

- Press the SUBTITLE button during play. "SUBTITLE MODE" screen appears.
- Press the ▲, ▼, ◀ or ▶ button to select the desired subtitle language.
- Press the ENT button.

Note:

- In some cases, the subtitle language is not changed to the selected one.
- When a disc supporting the closed caption is played, the subtitle and the closed caption may overlap each other on the TV screen. In this case, turn the subtitle off.
- When the desired language is not selected even if the button is pressed, the language is not available on the disc.
- When the power is turned on or the player is stopped completely or the disc is replaced, select the subtitle language again.
- If "OTHERS" is selected, enter the language code. (See "LANGUAGE CODE LIST".)
- If the subtitle language is not necessary, select "NO".

#### Selecting audio soundtrack language (Multi-Language)

This operation works only with discs on which multiple audio soundtrack languages are recorded.



- Press the AUDIO button during play.
- Press the AUDIO button repeatedly until the desired language appears on the screen.

Example:

Language Change  
 02 French

Note:

- When the desired language is not selected even if the button is pressed, the language is not available on the disc.
- When the power is turned on or the player is stopped completely or the disc is replaced, select the language again.
- If the language is not recorded on the disc, only the available language on the disc will be heard.
- If "OTHERS" is selected, enter the language code. (See "LANGUAGE CODE LIST".)

#### Selecting picture mode

Press the PICTURE MODE button. "PICTURE MODE" briefly appears. Each time the button is pressed, the picture mode is changed as shown:

PICTURE MODE

Cinema → Animation → Sports → Black and White → Standard  
 → Cinema → ...

#### Selecting display mode

Press the ON SCREEN button to show the disc information (Title, Chapter, Title pass time, Language, etc.).

Example:

DVD		Play ►
TITLE: 01	Title pass time	00:05:45
CHAPTER: 04	Chapter pass time	00:00:51
AUDIO: English		
Dolby Digital 5.1ch		
SUBTITLE: English		
ANGLE: 1		

DVD		Play ►
TITLE: 01	Title remain time	00:56:07
CHAPTER: 14	Chapter remain time	00:00:37
AUDIO: English		
Dolby Digital 5.1ch		
SUBTITLE: Others		
ANGLE: 1		

# INITIAL SETTINGS

Once the initial settings have been completed, the player can always be operated under the same conditions. The settings will be retained in the memory until they are changed, even if the power is turned off.

## Common procedures of initial settings

1. Press the SET UP button in the stop mode. "SET UP MENU (LANGUAGE, DISPLAY, AUDIO and PARENTAL)" screen appears on the TV screen.
2. Press the ▲, ▼, ◀ or ▶ button, then press the ENT button to select the menu. Please follow these on the screen
3. Press the SET UP button

Example:

**LANGUAGE** OSD: ENGLISH ENGLISH  
(Note: The language on OSD is "ENGLISH" only.)

AUDIO: ENGLISH ORIGINAL  
ENGLISH  
JAPANESE  
CHINESE  
GERMAN  
FRENCH  
ITALIAN  
SPANISH  
DUTCH  
OTHERS

SUBTITLE: ENGLISH ORIGINAL  
ENGLISH  
JAPANESE  
CHINESE  
GERMAN  
FRENCH  
ITALIAN  
SPANISH  
DUTCH  
OTHERS

DVD MENU: ORIGINAL ORIGINAL  
ENGLISH  
JAPANESE  
CHINESE  
GERMAN  
FRENCH  
ITALIAN  
SPANISH  
DUTCH  
OTHERS

Note:

- You cannot switch audio sound track languages if there is only one language recorded on the disc.
- When you play a DVD disc, the player automatically displays the pre-selected subtitle language if it is included on the disc.
- If "OTHERS" is selected, enter the language code. (See "LANGUAGE CODE LIST".)

<b>DISPLAY</b>	TV TYPE:	4:3 LT	4:3 LT 4:3 PS 16:9
	SCREEN SAVER:	ON	ON OFF
	LastMemo Play:	ON	ON OFF

Select the appropriate your TV screen size.

**4:3 LT (Letterbox):**

Select when a conventional TV set is connected. When the wide screen disc is played back, the black bands appear at the top and bottom of screen.



**4:3 PS (Panscan):**

Select when a conventional TV set is connected. When the wide screen disc is played back, it displays pictures cropped to fill to your TV screen. The left and right edges are cut off.



Cut off

Cut off

**16:9 :**

Select when a wide screen TV set is connected. Played in "FULL" size. (Setting the wide screen TV to "FULL" mode is also necessary.)



**Note:**

The screen size may differ depending on the DVD discs.

<b>AUDIO</b>	DIGITAL OUT:	ON	ON
	(Note: It is "ON" only.)		
	Dolby Digital:	2ch	5.1ch 2ch
	MPEG:	PCM	MPEG PCM
DTS:	OFF	ON OFF	

Select Dolby Digital "2ch" or "5.1ch".

Select PCM or MPEG signal.

Select DTS signal "ON" or "OFF".

**Note:**

When using a Digital Amplifier without a DTS decoder, set DTS to "OFF".

**PARENTAL**

Enter password. Enter a number in 4 digits, then press ENTER.

LEVEL: 5	8
	7
	6
	5
	4
	3
	2
	1
	OFF

STANDARD: USA USA

**CHANGE PASSWORD**

Change password. Enter a number in 4 digits, then press ENTER.

**Parental control**

MPAA (Motion Picture Association of America) Guideline is rating system that provide advance cautionary information to parent about the content of movie programmes.

The parental lock level is equivalent to the following MPAA Rating System.

Level 7: NC-17 (No one 17 and under admitted)

Level 6: R (Restricted)

Level 4: PG13 (Parental guidance cautioned)

Level 3: PG (Parental guidance suggested)

Level 1: G (General audiences)

Some DVD discs contain a restriction level which enables parents to prevent playback of discs by children. This DVD player is equipped with a password designed to prevent children changing the level.

You cannot play DVD discs rated higher than the level you selected unless you cancel the parental lock function.

For example, when you select level "5", the DVD player will not play discs with ratings of "6", "7" or "8". The information will appear on the TV screen.

**If you forget the password...**

Enter "788444" to clear the current password.

Enter a new password and set the parental lock level again.

**Note:**

DVD discs may or may not respond to the parental lock settings. Make sure this function works with your DVD discs.

**CLEANING THE UNIT**

Clean the outside of the unit with a clean soft cloth, moistened with lukewarm water. Do not use benzene, thinner or alcohol since they will mar the finish of the surfaces.

# LANGUAGE CODE LIST

Code	Language	Code	Language	Code	Language	Code	Language
6565	Afar	7079	Faroese	7678	Lingala	8375	Slovak
6566	Abkhazian	7082	French	7679	Laothian	8376	Slovenian
6570	Afrikaans	7089	Frisian	7684	Lithuanian	8377	Samoan
6577	Amharic	7165	Irish	7686	Latvian, Lettish	8378	Shona
6582	Arabic	7168	Scottish Gaelic	7771	Malagasy	8379	Somali
6583	Assamese	7176	Galician	7773	Maori	8381	Albanian
6589	Aymara	7178	Guarani	7775	Macedonian	8382	Serbian
6590	Azerbaijani	7185	Gujarati	7776	Malayalam	8385	Sundanese
6665	Bashkir	7265	Hausa	7778	Mongolian	8386	Swedish
6669	Byelorussian	7273	Hindi	7779	Moldavian	8387	Swahili
6671	Bulgarian	7282	Croatian	7782	Marathi	8465	Tamil
6672	Bihari	7285	Hungarian	7783	Malay	8469	Telugu
6678	Bengali; Bangla	7289	Armenian	7784	Maltese	8471	Tajik
6679	Tibetan	7365	Interlingua	7789	Burmese	8472	Thai
6682	Breton	7378	Indonesian	7865	Nauru	8473	Tigrinya
6765	Catalan	7383	Icelandic	7869	Nepali	8475	Turkmen
6779	Corsican	7384	Italian	7876	Dutch	8476	Tagalog
6783	Czech	7387	Hebrew	7879	Norwegian	8479	Tonga
6789	Welsh	7465	Japanese	7982	Oriya	8482	Turkish
6865	Danish	7473	Yiddish	8065	Punjabi	8484	Tatar
6869	German	7487	Javanese	8076	Polish	8487	Twi
6890	Bhutani	7565	Georgian	8083	Pashto, Pushto	8575	Ukrainian
6976	Greek	7575	Kazakh	8084	Portuguese	8582	Urdu
6978	English	7576	Greenlandic	8185	Quechua	8590	Uzbek
6979	Esperanto	7577	Cambodian	8277	Rhaeto-Romance	8673	Vietnamese
6983	Spanish	7578	Kannada	8279	Romanian	8679	Volapük
6984	Estonian	7579	Korean	8285	Russian	8779	Wolof
6985	Basque	7583	Kashmiri	8365	Sanskrit	8872	Xhosa
7065	Persian	7585	Kurdish	8368	Sindhi	8979	Yoruba
7073	Finnish	7589	Kirghiz	8372	Serbo-Croatian	9072	Chinese
7074	Fiji	7665	Latin	8373	Singhalese	9085	Zulu



# TROUBLESHOOTING GUIDE

If you have followed the instructions and are having difficulty operation the unit, locate the SYMPTOM in the left column below. Check the corresponding POSSIBLE CAUSE and CORRECTIVE ACTION columns to locate and remedy the problem.

SYMPTOM	POSSIBLE CAUSE	CORRECTIVE ACTION
No power.	No power plug connection at the AC outlet.	Insert the power plug into the AC outlet.
The power is on, but the player does not work.	No disc is loaded.	Load a disc.
No picture.	An unplayable disc is loaded.	Load a playable disc. (Check the disc logo, type, colour system and regional code.)
	The TV is not set to receive signal from the player.	Select the correct input function on the TV.
	The video cable is not connected.	Connect the video cable into the socket.
	The S-video cable is not connected.	Connect the video cable into the socket.
No sound.	The TV is turned off.	Turn on the TV.
	The audio cables are not connected.	Connect the audio cables into the sockets
	The audio equipment is turned off	Turn on the audio equipment connected with the audio cable.
The playback picture is poor.	An unplayable disc is loaded.	Load a playable disc. (Check the disc logo, type, colour system and regional code.)
"⊗" appears on the TV screen.	The selected function does not operate on the disc now.	Wait or Press the correct button.
The player does not start play.	No disc is loaded.	Load a disc.
	An unplayable disc is loaded.	Load a playable disc. (Check the disc logo, type, colour system and regional code.)
	The disc is loaded with the label side down.	Load the disc on the disc tray correctly.
	The disc is dirty.	Clean the disc or replace it.
	"PARENTAL" is set.	Cancel the parental lock function or change the rating level. Reset it after play.
The operation or display is not normal.	The player must be reset.	<ol style="list-style-type: none"> <li>1. Disconnect the mains lead.</li> <li>2. Reconnect the mains lead.</li> <li>3. Resume operation.</li> </ol>
The remote control does not work properly.	The batteries in the remote control are weak, or installed incorrectly.	Check the battery polarity (+ or -). Replace the batteries.
	The remote control is not aimed at the remote sensor window.	Aim the remote control at the remote sensor window.

# SPECIFICATIONS

Type: DVD player  
Signal format: NTSC or PAL colour  
Laser: Semiconductor laser, wavelength: 650 nm  
Laser output (Continuous wave max.):  
1 mW (DVD)  
0.5 mW (CD)  
Frequency range (digital audio):  
4 Hz to 44 kHz (DVD fs: 96 kHz)  
Signal to noise ratio:  
More than 105 dB  
Harmonic distortion (digital audio):  
0.003 %  
Wow and flutter:  
Below measurable level  
Outputs:  
DIGITAL OUT:  
Optical  
COMPONENT VIDEO OUT:  
Y: 1.0 Vp-p (75  $\Omega$ )  
Cb, Cr: 0.7 Vp-p (75  $\Omega$ )  
S-VIDEO OUT:  
Y: 1.0 Vp-p (75  $\Omega$ )  
C: 0.286 Vp-p (75  $\Omega$ )  
VIDEO OUT:  
1.0 Vp-p (75  $\Omega$ )  
AUDIO OUT:  
1.2 V rms

Power requirements:  
AC 110 - 240 V, 50/60 Hz  
Power consumption:  
16 W  
Dimensions:  
270(W) x 87(H) x 282(D) mm  
Weight:  
2.4 kg

## IMPORTANT INFORMATION

Because its products are subject to continuous improvement, SANYO reserves the right to modify product designs and specifications without notice and without incurring any obligation.



(AU) 1AD6P1P0998-D

**SANYO**

---

**SANYO Electric Co., Ltd.**  
Printed in China