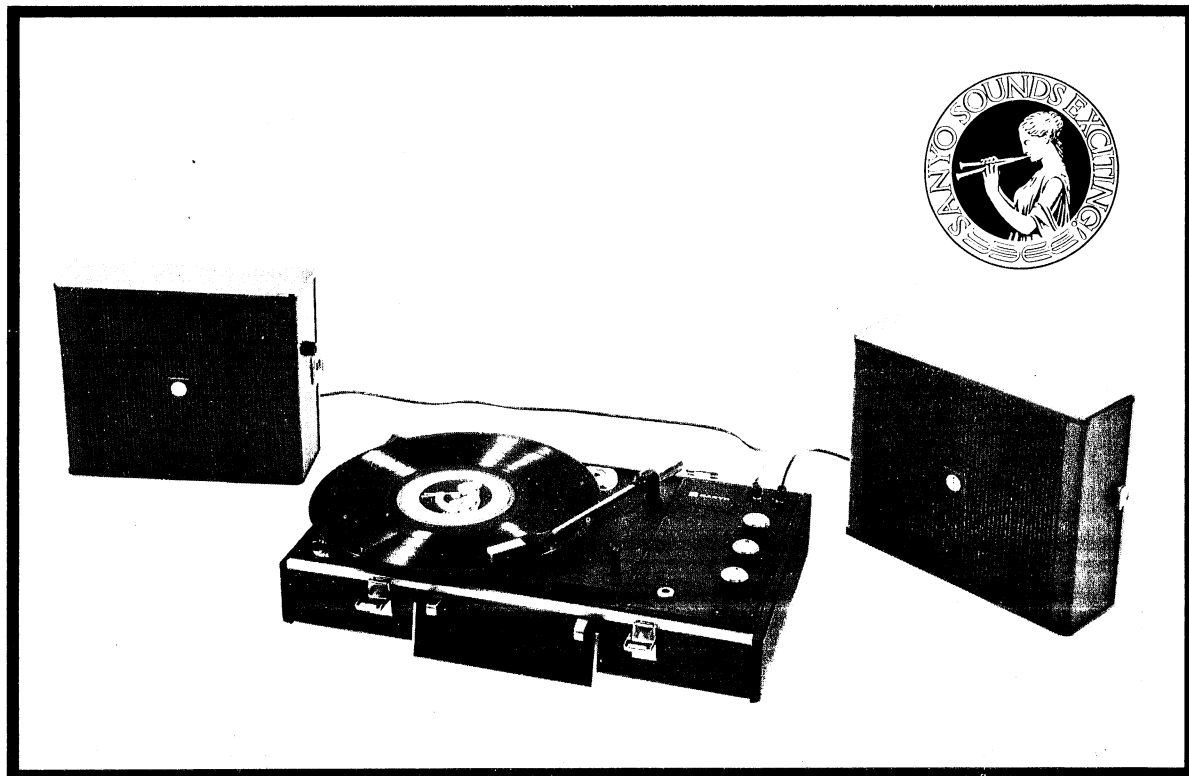


How to get the most from...



SANYO

MODEL G-2512

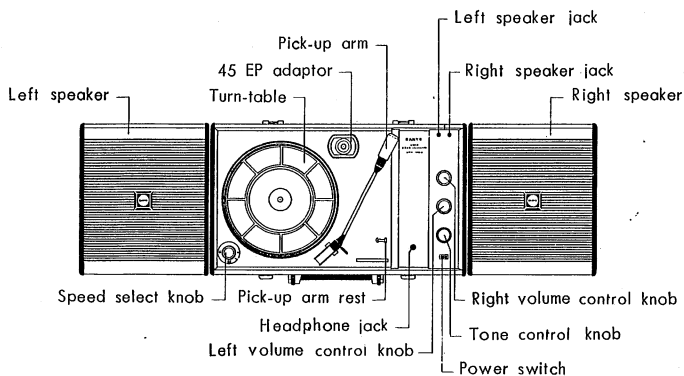
*SANYO PORTABLE STEREOGRAPHIC
PHONOGRAPH*

DESCRIPTION

This model is a portable stereo phonograph.

It features versatile three-unit design that allows placing the separate speakers in any position for full stereo depth. The set operates on DC (batteries) or AC (house current).

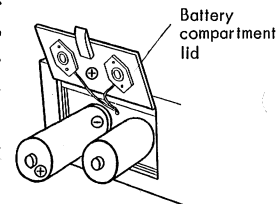
CONTROLS



PREPARATION

- 1) Push the battery compartment lid switch (on the left side of the set) up to open position, and open the lid.

- 2) Put three batteries ("D" size, UM-1) in each of the two holes, inserting the negative (-) ends first.
- 3) After batteries have been inserted, close the lid and push up the switch.
- 4) Disconnect the speaker boxes and plug the lead from the right speaker into the "Right.SP" jack, and that from the left speaker into the "Left.SP" jack.



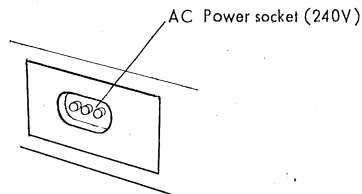
OPERATION

- 1) Set the power switch for "ON". The power comes on.
- 2) Remove pick-up arm from the clip and place it on the arm rest.
- 3) Turn the speed selector knob to the proper speed for the record to be played.
 - 33.....LP (Sheet record)
 - 45.....EP (doughut hole)
 - 78.....SP
- 4) Lift the pick-up arm and move it toward the turntable; the turntable will automatically begin revolving. Carefully set the pick-up arm on the record.
- 5) Adjust Left and Right Volume controls to balance speakers.
- 6) Adjust the tone quality with the Tone control knob.
- 7) When the record is finished, lift the pick-up arm and return it to the arm rest. This will turn off the motor and the turntable will automatically stop.

PRECAUTIONS

- 1) When playing 45 rpm. records with large holes, use the adaptor.
- 2) When using an AC power source, connect one end of the power

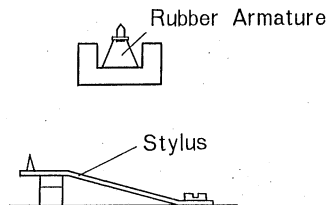
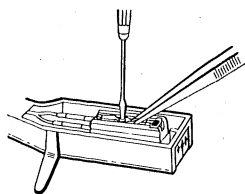
cord to the AC input on the side of the cabinet and the other end to an AC outlet (Socket). This set is equipped for a power source of 240V.



- 3) When the phonograph is not being used, turn the speed selector knob to the round mark, turn off the power, return the pick-up arm to its clip, and put the cover back on the set.
- 4) When using the headphone connect plug of the headphone to plug the headphone jack on the cabinet.
- 5) If the set is to be out of use for more than two or three weeks, remove the batteries from the cabinet.
- 6) When the batteries become weak, sound quality will deteriorate, and turntable rotation will lose its stability. The batteries should be replaced at once.
- 7) Replacement Stylus

This set is equipped with a high-quality sapphire stylus, but it should be replaced if sound quality reproduced is noted to be worse after use for a long time.

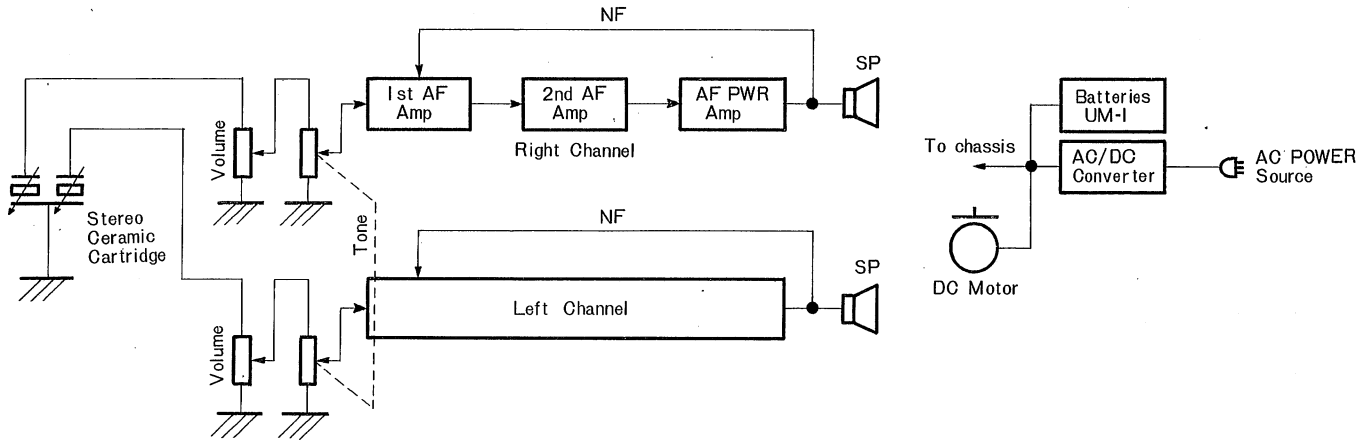
Loosen the screw with a narrow screwdriver, and remove it with a tweezers. To insert the new needle, reverse the above procedure.



SPECIFICATIONS

| | |
|---------------|------------------------------------------------------------------------|
| Circuit | 8-transistor, 3-speed stereo-phonograph |
| Output power | Maximum 1000mW (P.M.P) |
| Speakers | Two 4" permanent dynamic speakers |
| | Voice coil impedance 8 ohms |
| Transistors | 2 × 2 AF amplifier |
| | 2 × 2 AF power amplifier |
| Diodes | 2 Rectifier |
| Power source | DC 9 V (6 "D" size flashlight batteries) |
| | AC 240V 50Hz |
| Current drain | No signal 50mA |
| | Maximum 310mA |
| Turn table | 7" dia |
| Pick-up | Stereo ceramic cartridge |
| Phono speed | 33-1/3, 45, 78 rpm. |
| Dimensions | 15-53/64" width × 9-13/32" height × 5-5/32" depth (402 × 239 × 131) mm |
| Weight | 8.8 lbs (4 kg) approx. |

BLOCK DIAGRAM



All fasteners subject to metric dimension of International Organization for Standardization.

SANYO ELECTRIC CO., LTD.

INTERNATIONAL DIVISION: SANYO ELECTRIC TRADING CO., LTD.

Osaka, Japan