

Fig./Abb./Afb. 2/ 2 شكل ٢

Fig./Abb./Afb. 3/ 3 شكل ٣

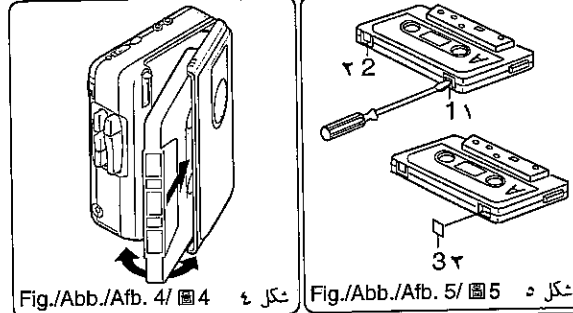


Fig./Abb./Afb. 4/ 4 شكل ٤

Fig./Abb./Afb. 5/ 5 شكل ٥

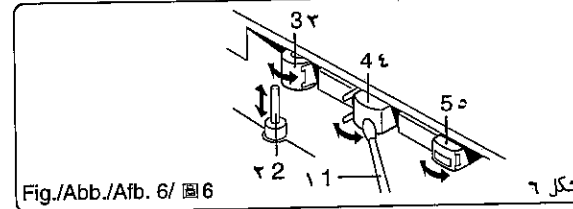
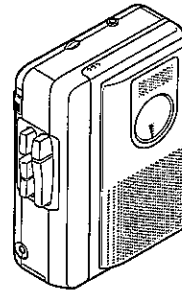
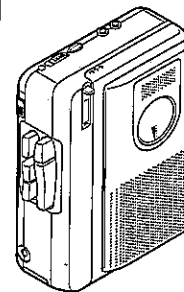


Fig./Abb./Afb. 6/ 6 شكل ٦

2



M-1060C



M-1110C

ENGLISH	3
DEUTSCH	8
FRANÇAIS	13
NEDERLANDS	18
SVENSKA	23
ITALIANO	28
ESPAÑOL	33
PORTUGUÊS	38
中文	43
عربي	(54)

NOTE: If the first few words you speak activate recording but are not recorded, say an extra word to start recording before you dictate. (For important recordings, set the VAS switch to OFF.)

VAS OFF: Standard recording (M-1110C only)

Recording will continue until the STOP button is pressed.

5. Press the STOP button to stop recording.

Fast forwarding or rewinding

In the stop mode, press the FFWD/CUE or REW/REV button. Press the STOP button when the desired point or end of the tape is reached.

Temporarily stopping operation (all modes)

Slide the PAUSE switch right. Slide it left to resume operation.

Quick reviewing and recording

While recording, press and hold the REW/REV button (the REC button is released) until the tape has rewound to the desired point. Release the REW/REV button to playback your recording. Press the REC button to resume recording.

Safeguards against accidental erasure (Fig. 5)

To protect side A, break out tab (1). To protect side B, break out tab (2).

- To erase or record a protected cassette, cover the tab openings with adhesive tape (3).

NOTE: The REC button cannot be depressed when using a protected cassette.

POWER

Battery

Install two "R6/HP7/AA/SUM-3" batteries (not supplied) as shown in Fig. 2. Observe proper polarity.

- If you are not going to use the unit with batteries for one month or more, remove the batteries.

Battery replacement

When the BATT/OPR indicator (M-1110C only) does not light during operation or is lit dimly, replace the batteries.

- When replacing the batteries, use two new batteries of the same type. Do not mix a used battery with a new one or mix different types of batteries.

- Dispose of all used batteries safely and in accordance with all applicable laws.

AC adaptor

Connect an AC adaptor (not supplied) to the EXT DC 3V socket. (The batteries are automatically disconnected.)

- The centre pin of the EXT DC 3V socket is positive (+).

Rechargeable battery

Install the rechargeable battery (SANYO NBP-30B, not supplied) as shown in Fig. 3.

Connect the AC adaptor. The battery fully charged approximately 8 hours after the AC adaptor is connected.

- Do not charge continuously for 48 hours or more.

CONTROLS (Fig. 1)

1. Battery/Operation indicator (BATT/OPR) (M-1110C only)
2. Voice activated system switch (VAS) (M-1110C only)
3. Volume control (VOLUME)
4. Microphone socket (MIC) (M-1110C only)
5. Earphone socket (EAR)
6. Built-in microphone
7. Cassette compartment
8. Battery compartment (back panel)
9. Tape counter and reset button (M-1110C only)
10. Record button (REC)
11. Play button (PLAY)
12. External DC 3V socket (EXT DC 3V)
13. Fast forward/Cue button (FFWD/CUE)
14. Rewind/Review button (REW/REV)
15. Stop button (STOP)
16. Pause switch (PAUSE)

PLAYBACK

1. Load the cassette as shown in Fig. 4.
2. Press the PLAY button and adjust the VOLUME control.
3. Press the STOP button to stop playback.

Cue and reviewing

While playback, press and hold the FFWD/CUE or REW/REV button. Release the button when the desired point is reached. Playback continues.

MAINTENANCE

To ensure continued high performance, use cotton swab (1) moistened with head cleaner to clean the heads (4, 5), pinch roller (3) and capstan (2) after about every 10 hours of use (Fig. 6).

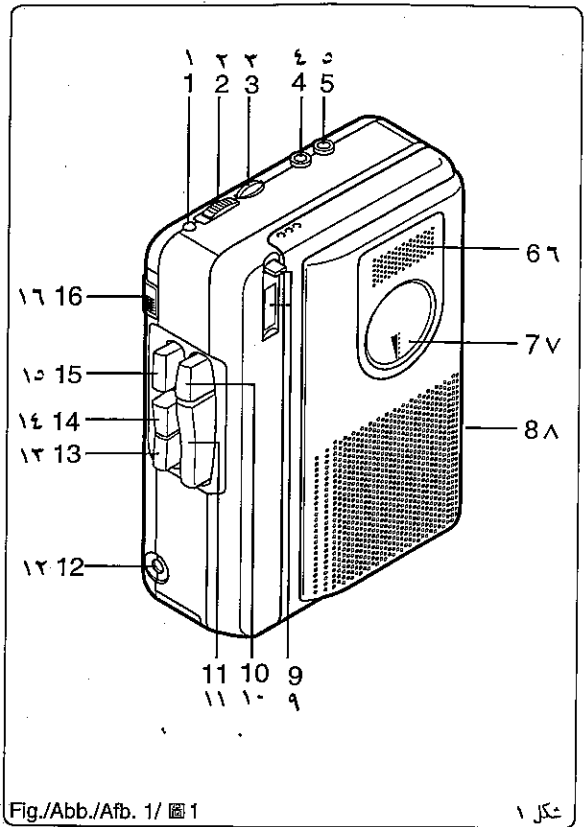


Fig./Abb./Afb. 1/ 1

CONNECTIONS

External microphone (M-1110C only)

Connect an external microphone (not supplied) to the MIC socket. (The built-in microphone is automatically disconnected.)

Earphone

Connect an earphone (not supplied) to the EAR socket for private listening. (The speaker is automatically disconnected.)

RECORDING

NOTE: Do not use C-120 or endless cassettes.

1. Load a cassette as shown in Fig. 4.
2. Press the reset button to set the counter to "000". The counter shows relative tape position (M-1110C only).
3. Set the VAS switch to ON or OFF (M-1110C only).
4. Press the REC button. (The PLAY button is engaged simultaneously.)

VAS ON: Voice activated recording (M-1110C only)

When you talk, the unit will start recording. When you stop talking for as long as 4 to 8 seconds, the unit will stop recording (variations in voice level do not stop recording). Use the VOLUME control to adjust the microphone sensitivity to your voice. If voices are not activating recording, increase the volume. If recording does not stop when talking stops, decrease volume.