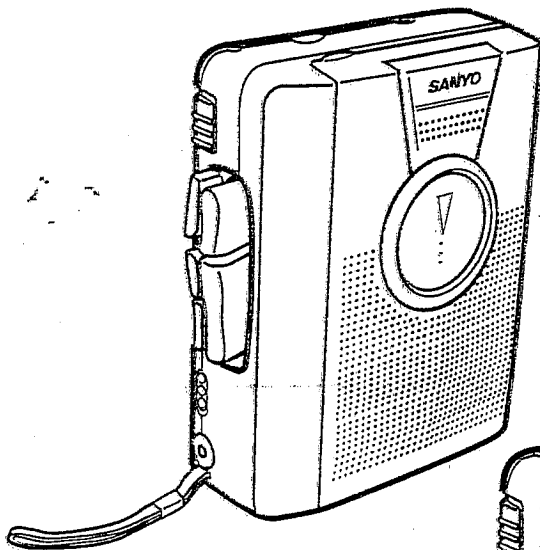


SANYO

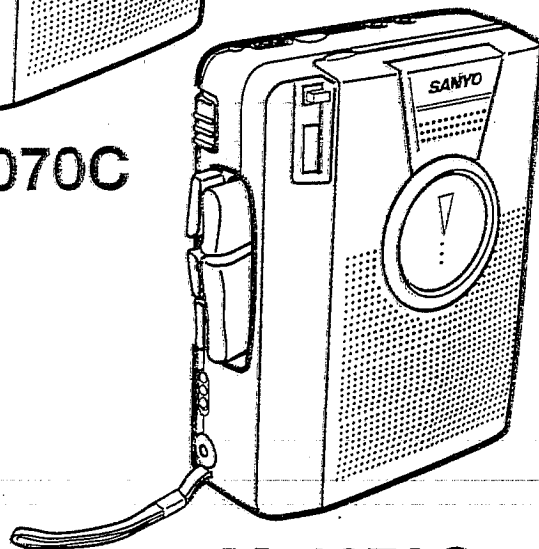
INSTRUCTION MANUAL
ISTRUZIONI PER L'USO

M-1070C
M-1270C

Compact Cassette Recorder
Registratore de cassette compacte



M-1070C



M-1270C

ENGLISH	3
DEUTSCH	9
FRANÇAIS	15
NEDERLANDS	21
SVENSKA	27
ITALIANO	33
ESPAÑOL	39
PORTUGUÊS	45

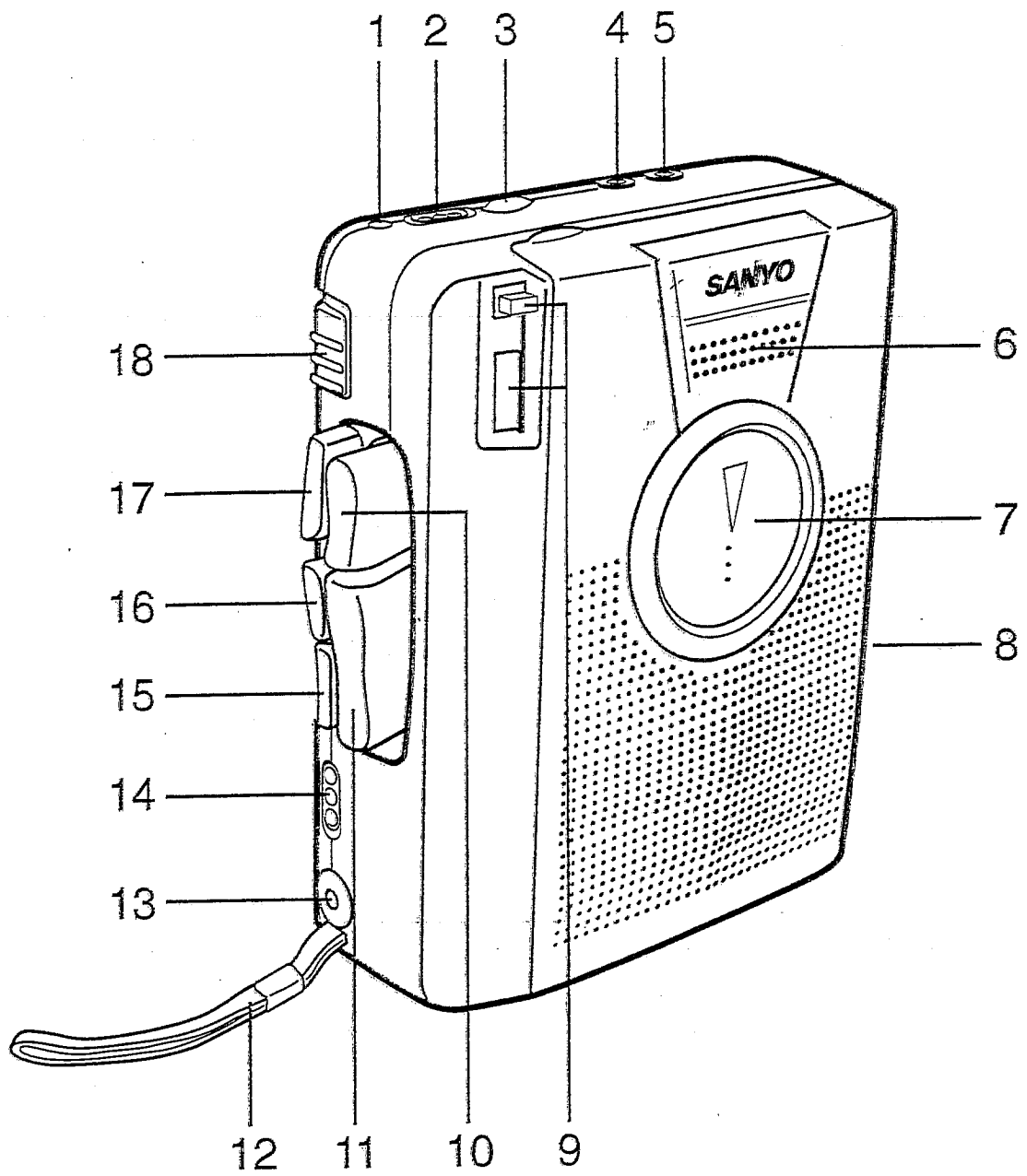


Fig./Abb./Afb. 1

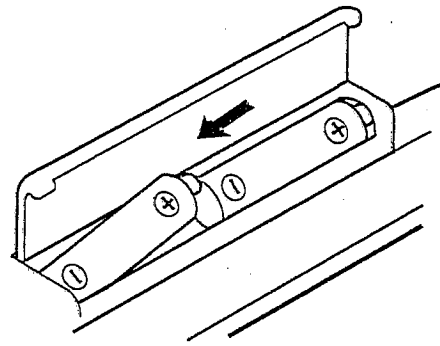
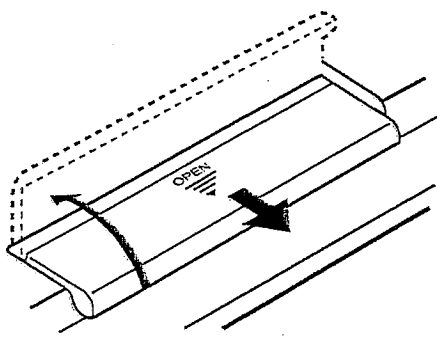


Fig./Abb./Afb. 2

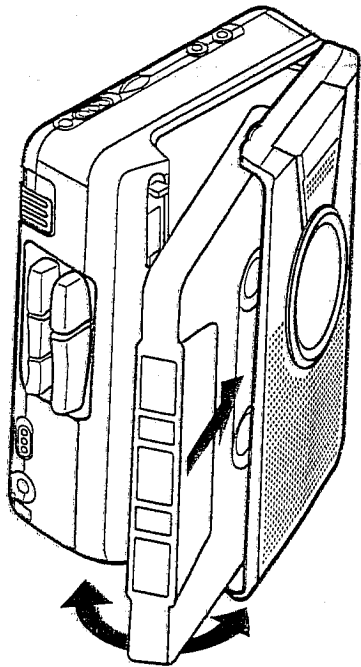


Fig./Abb./Afb. 3

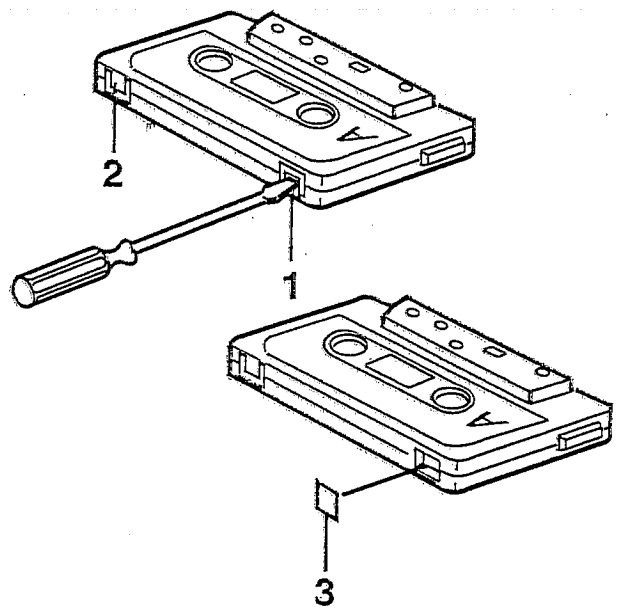


Fig./Abb./Afb. 4

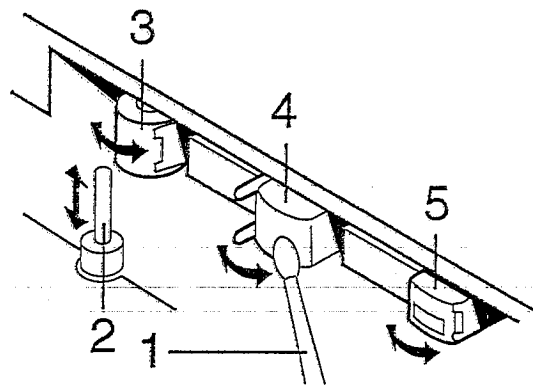



Fig./Abb./Afb. 5

CONTROLS (Fig. 1)

1. Battery/Operation indicator (M-1270C only)
2. Voice activated system switch (VAS)(M-1270C only)
3. Volume control (MIN  MAX)
4. Microphone socket (MIC) (M-1270C only)
5. Earphone socket (EAR)
6. Built-in microphone
7. Cassette compartment
8. Battery compartment (back panel)
9. Tape counter and reset button (M-1270C only)
10. Record button (REC)
11. Play button (PLAY)
12. Hand-strap
13. External DC 3V socket (EXT DC3V)
14. Tape speed switch (SPEED)
15. Fast forward/Cue button (FFWD/CUE)
16. Rewind/Review button (REW/REVIEW)
17. Stop button (STOP)
18. Pause switch (PAUSE)

POWER

Battery

Install two "LR6/R6/HP7" batteries (not supplied) as shown in Fig. 2. Observe proper polarity.

- If you are not going to use the unit with batteries for one month or more, remove the batteries.

Battery replacement

When the indicator does not light during operation or is lit dimly, replace the batteries.

- When replacing the batteries, use two new batteries of the same type. Do not mix a used battery with a new one or mix different types of batteries.
- Dispose of all used batteries safely and in accordance with all applicable laws.

AC adaptor

Connect an AC adaptor (SANYO Model No. 3CV230XE or NT-3CV, not supplied) to the EXT DC 3V socket. (The batteries are automatically disconnected.)

- The centre pin of the EXT DC 3V socket is positive (+).

CONNECTIONS

External microphone (M-1270C only)

Connect an external microphone (not supplied) to the MIC socket. (The built-in microphone is automatically disconnected.)

Earphone

Connect an earphone (not supplied) to the EAR socket for private listening. (The speaker is automatically disconnected.)

RECORDING

NOTE: Do not use C-120 or endless cassette.

1. Load a cassette as shown in Fig. 3.
2. Press the reset button to set the counter to "000". The counter shows relative tape position. (M-1270C only).
3. Set the VAS switch to ON or OFF. (M-1270C only).
4. Set the SPEED switch to 2.4 or 4.8.
4.8: Compatible with most single-speed cassette recorders.
2.4: For longer recordings; about 2 hours of recording time (total for both sides of 60-minute cassette; C-60).
 - Do not change tape speed during recording.
5. Press the REC button. (The PLAY button is engaged simultaneously.)

VAS ON: Voice activated recording (M-1270C only)

When you talk, the unit will start recording. When you stop talking for as long as 4 to 8 seconds, the unit will stop recording (variations in voice level do not stop recording.)

Use the volume control to adjust the microphone sensitivity to your voice. If voices are not activating recording, increase the volume. If recording does not stop when talking stops, decrease volume.

NOTE: If the first few words you speak activate recording but are not recorded, say an extra word to start recording before you dictate. (For important recordings, set the VAS switch to OFF.)

VAS OFF: Standard recording (M-1270C only)

Recording will continue until the STOP button is pressed.

6. Press the STOP button to stop recording.

Fast forwarding or rewinding

In the stop mode, press the FFWD/CUE or REW/REVIEW button. Press the STOP button when the desired point or end of the tape is reached.

Temporarily stopping operation (all modes)

Slide the PAUSE switch right. Slide it left to resume operation.

Quick reviewing and recording

While recording, press and hold the REW/REVIEW button (the REC button is released) until the tape has rewound to the desired point. Release the REW/REVIEW button to play back your recording. Press the REC button to resume recording.

Safeguards against accidental erasure (Fig. 4)

To protect side A, break out tab (1). To protect side B, break out tab (2).

- To erase or record a protected cassette, cover the tab openings with adhesive tape (3).

NOTE: The REC button cannot be depressed when using a protected cassette.

PLAYBACK

1. Load the cassette as shown in Fig. 3.
2. Press the PLAY button and adjust the volume control.
3. Set the SPEED switch to 2.4 or 4.8 to correspond with the recorded tape speed.
4. Press the STOP button to stop playback.

Automatic stop system

At the end of the tape while recording or playing back, the cassette deck stops automatically and the buttons are released. This system does not work in fast forward and rewind operation. Be sure to press STOP button when the end of the tape has been reached.

Example (When using C-60 tape):
press STOP button after approximately 2 minutes have elapsed
under fast forward and rewind operation.

Cue and reviewing

While playback, press and hold the FFWD/CUE or REW/
REVIEW button. Release the button when the desired point
is reached. Playback continues.

MAINTENANCE

To ensure continued high performance, use cotton swab (1)
moistened with head cleaner to clean the heads (4, 5), pinch
roller (3) and capstan (2) after about every 10 hours of use
(Fig. 5).

This set complies with the EMC Directive 89/336 and with the LVD Directive 73/23.

Dieses Gerät entspricht der EMC-Direktive 89/336 und der LVD-Direktive 73/23.

Cet appareil est en conformité avec la directive EMC 89/336 et avec la directive BT 73/23.

Dit toestel is in overeenstemming met EMC-richtlijn 89/336 en met LVD-richtlijn 73/23.

Detta set uppfyller EMC-direktivet 89/336 och Lågspänningsdirektivet 73/23.

Questo set aderisce alle direttive EMC 89/336 e alle direttive LVD 73/23.

Este aparato cumple con la Directiva EMC 89/336 y con la Directiva LVD 73/23.

Este conjunto satisfaz a Directiva EMC 89/336 e a Directiva LVD 73/23.

注意

この商品は、海外及び免税店向け商品です。日本国内向け商品としてのサービスは受けられません。

SI DICHIARA CHE:

L'apparecchio Registratore, marca SANYO, modello M-1070C/M-1270C, risponde alle prescrizioni dell'articolo 2 comma 1 del D.M.28 agosto 1995 n°548.

fatto a München
28 marzo 2003

SANYO FISHER Sales (Europe) GmbH
Stahlgruberring 4, D-81829
München, Germany

SANYO

(XE/SP)1AD6P1P1820-BB

SANYO Electric Co., Ltd.