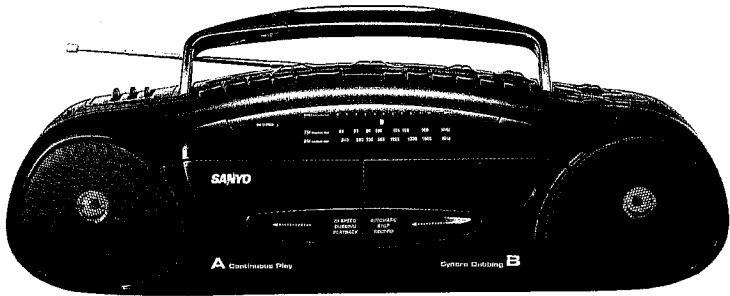


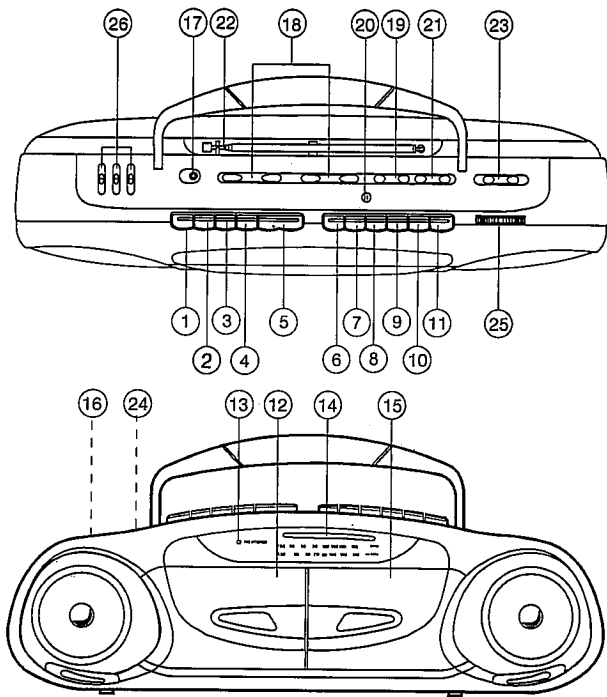
INSTRUCTION
MANUAL

SANYO

MW 830F

**FM STEREO / AM RADIO DOUBLE
CASSETTE RECORDER**





- | | |
|---------------------------------|---------------------------------|
| 1. Pause Button | 14. Dial Pointer |
| 2. Stop/Eject Button | 15. Deck B Cassette Compartment |
| 3. Fast Forward Button | 16. AC Socket (rear) |
| 4. Rewind Button | 17. Headphone Jack |
| 5. Play Button | 18. Volume Control |
| 6. Pause Button | 19. Function Selector |
| 7. Stop/Eject Button | 20. Condenser Microphone |
| 8. Fast Forward Button | 21. Tape Speed Selector |
| 9. Rewind Button | 22. Telescopic Antenna |
| 10. Play Button | 23. Band Selector |
| 11. Record Button | 24. Battery Compartment (rear) |
| 12. Deck A Cassette Compartment | 25. Tuning Control |
| 13. FM Stereo Indicator | 26. Graphic Equalizer |

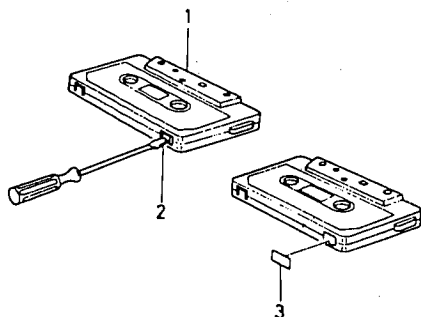
HELPFUL HINTS

Inserting and removing the cassette (TAPE A) (TAPE B)

Open the cassette compartment lid by pressing the STOP/EJECT button. Insert the cassette placing the full reel on the right and the exposed section of tape at the top. Close the lid. To use the second track, press the STOP/EJECT button and remove the cassette. Turn the cassette around and re-insert it as previously described.

Prevention of accidental erasing (Tape B)

To protect valuable recordings from accidental erasure, the unit and the cassette are equipped with standard safety features. To keep the recorded material, break out the tabs on the back of the cassette with a knife or screwdriver. To protect side A (1) from accidental erasure, break out the right side tab (2). To record on a cassette from which the tabs have been removed, simply attach adhesive tape (3) over the tab opening. The unit will not operate in the recording mode when a cassette tab has been removed.



PLAYBACK (TAPE A) (TAPE B)

A) Playback of a recorded tape

1. Insert a recorded cassette.
2. Set the FUNCTION selector to TAPE.
3. Press the PLAY button.
4. Adjust the VOLUME control as desired.
5. Press the STOP/EJECT button to stop playback at any time. When the end of the tape has been reached, the automatic stop will be activated.

B) Playback of Tape A and Tape B continuously (From TAPE A to TAPE B)

1. Set the FUNCTION selector to TAPE.
2. Press the PLAY button (TAPE A side).
3. Press the PAUSE button (TAPE B side).
4. Press the PLAY button (TAPE B side). (TAPE B will not move.)

When the end of the tape is reached on TAPE A, the automatic stop will be activated. Then the PAUSE button will be released and TAPE B will automatically begin to play back. When the end of the tape is reached on TAPE B, the automatic stop will be activated.

CAUTION

While playing or recording, do not press the FFWD or REW button of the other tape mechanism, as it may result in inferior sound quality.

Pause (Tape A) or (Tape B)

Press the PAUSE button to momentarily stop tape travel during playback or recording. Re-press the button to re-start playback or recording.

POWER SUPPLY

AC Operation

Connect one end of the AC mains lead to the AC INPUT socket and the other end to an AC outlet. When the AC mains lead is connected to the AC INPUT socket, the batteries are automatically disconnected.

CAUTION

This unit is designed to operate on 240V, 50Hz current only. Connecting it to other power sources may damage the unit.

DC (Battery) Operation

Remove the cover from the battery compartment on the rear of the unit and insert 6 pcs 1.5V "D" cell batteries (not included). Position the batteries according to the diagram on the battery compartment cover. Reinstall the compartment cover.

CAUTION

Remove the batteries from the unit if they are not going to be used for an extended period of time so as to prevent battery leakage and damage to the unit.

RADIO OPERATION

1. Set FUNCTION selector to RADIO.
2. Select the required radio band with the BAND selector.
3. Tune in a desired station by turning the TUNING control.
The FM STEREO indicator will illuminate when an FM stereo broadcast is being received.
4. Adjust the VOLUME control as desired.
5. To turn the radio off, set the FUNCTION selector to TAPE (OFF).

Aerial

For AM reception, the aerial inside the unit is somewhat directional, and so reception from distant stations may sometimes be improved by rotating the unit. For FM reception, pull out the telescopic aerial and determine the direction, length and angle to give the best reception.

Headphone Socket (HEADPHONES)

For private listening, connect a stereo headphone (not supplied) to this socket.

CARE AND MAINTENANCE

Maintenance

The cabinet may be cleaned with a soft, water moistened cloth. When necessary use only a mild soap cleaner, never use harsh cleaners or chemical solvents.

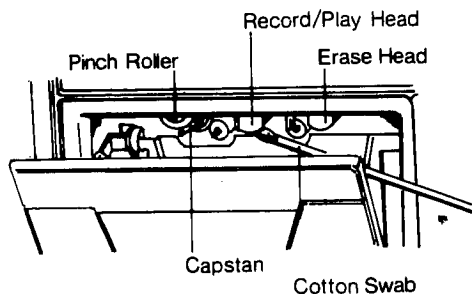
Warning

Before cleaning, disconnect the unit from the AC power source.

Cleaning the Head

Do not store the tape cassette in the recorder for any length of time as this might ruin the tape.

To ensure continued high performance from your unit, periodically clean the taping mechanism. Moisten a cotton swab with a head cleaner solution or isopropyl alcohol and rub gently to clean the pinch roller and capstan and the tape heads. You may press the Play button to raise the mechanism for ease of access.



REMARKS :

1. The unit should not be used near dripping water.
2. The power supply will not be off unless the AC cord is disconnected from the power mains supply.

Fast Forward and Rewind (Tape A) (Tape B)

For fast winding or rewinding the tape, press the FFWD or REW button. Press the STOP/EJECT button when the desired location has been reached. When the end of the tape has been reached you must press the STOP/EJECT button.

RECORDING (TAPE B)

For recording, use TAPE B.

This unit has an ALC circuit and no further adjustment of recording level is necessary.

Recording from the Built-in radio

1. Tune in a desired radio programme as previously described in "RADIO OPERATION".
2. Press the REC button.
3. Since you can monitor through the speakers regardless of recording level, adjust the VOLUME control as desired.
4. Press the STOP/EJECT button to stop recording at any time. When the end of the tape has been reached, the automatic stop will be activated.

DUBBING OPERATION

(from TAPE A to TAPE B)

Recording of radio programmes or dubbing of tapes is permissible only insofar as copyright or other rights of third parties are not thereby infringed.

Dubbing

1. Insert a recorded cassette into TAPE A and a cassette to be recorded on into TAPE B.
2. Rewind the tape (TAPE A side) to the beginning of the tape or a particular selection.
3. Set the FUNCTION selector to TAPE
4. Select the dubbing speed with the DUB SPEED switch.

HIGH

For dubbing the whole tape at high speed

NORMAL

For dubbing with monitoring at normal speed or for dubbing a particular selection

5. Press the PAUSE button (TAPE B side).
6. Press the REC button (TAPE B side).
7. To start the dubbing operation, press the PLAY button (TAPE A side).
8. To stop the dubbing, press both STOP/EJECT buttons.

Note:

Do not change the dubbing speed during the dubbing operation.

It is most important to return the DUB SPEED switch to NORMAL after use.

As the dubbing speed also effects recording of radio programs and use of the built-in microphone recordings, it is necessary to set the dubbing speed to NORMAL during both of these functions. If setting is on HIGH, then playback will also occur at high speed.



Sanyo Australia Pty Ltd Inc in Victoria

Personal Records

Model No _____ Serial No _____ Retailers Name _____

Original Buying Date _____ Suburb/Town/City _____

Sanyo

Sydney 7 Figtree Dve Australia Centre Homebush 2140 Ph (02) 763 3900	Brisbane Cnr Kerry & Beaudesert Rds Archerfield 4108 Ph (07) 875 8022	Adelaide 219 Gouger Street ADELAIDE SA 5000 Ph (08) 410 3277	Perth Unit 2/7 Marchesi Street KEWDALE WA 6105 Ph (09) 353 3373	Melbourne 370 Whitehorse Road, NUNAWADING VIC 3131, Ph (03) 875 4400
---	--	--	---	--

Sanyo Regional Repairers

Newcastle Dadj Electronics 17 Arnott St Newcastle West 2302 Ph (049) 29 5197	ACT Santronics 15 Kembla St Fyshwick 2609 Ph (06) 280 6422	Wollongong Electronic Services 208 Corrimal St Wollongong 2500 Ph (042) 27 3233	Townsville TV & Audio Service Ctr 53 Thuringowa Dve Kirwan 4814 Ph (077) 73 4433
---	---	--	---

For Further Sanyo repairers and Sanyo office automation dealers
Please ask your closest Sanyo office

You will keep your Sanyo warranty if you provide proof of original buying date when requesting service for your product bought in Australia.

OTHER RIGHTS

Your express and implied rights and remedies under the Trade Practices Act and other laws are different to your Sanyo warranty benefits.

SANYO WARRANTY

Except for the clauses below, Sanyo will repair (or at its option replace) any part of your Sanyo product which in its or its repairer's opinion needs repair or replacement because of manufacture or parts during the 12 months commencing from your products original buying date.

HOW TO CLAIM YOUR SANYO WARRANTY

- Please provide proof of original buying date when requesting Sanyo warranty service - for your product bought in Australia
- Please install and use your product in accordance with instructions on your operating manual.

PLACE AND TIME OF SERVICE

Please take or send your product (at your cost and risk) to and from Sanyo or its repairer. If you send your product and /or leave it with or it is taken by Sanyo or its repairer you are wise to insure it for both the sending and return journey.

Sanyo service hours are only Monday to Friday (excluding public holidays) 8.30 am to 4.30pm

Services for which you may be asked to pay at the then current rates

Repairs needed because of

- leaking batteries
- accident, misuse, negligence or tampering with
- use other than in accordance with instructions on your product or in your operating manual
- lightning strikes
- salt built up or rust or corrosion if you live near the ocean or in a high humidity area
- repairs or attempted repairs by anyone other than Sanyo or its repairer
- use of the product on voltage other than that specified for your product.
- repairs to your product if bought at auction

SANYO