

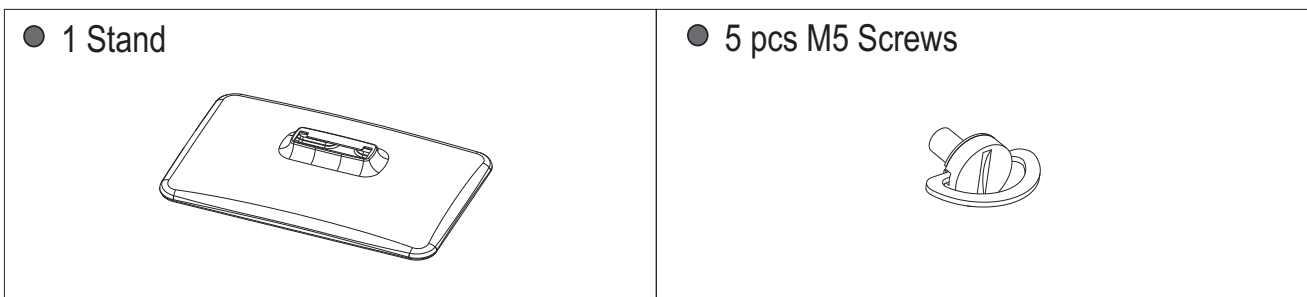
Assemble and Attach the Pedestal Base



Safety Precautions:

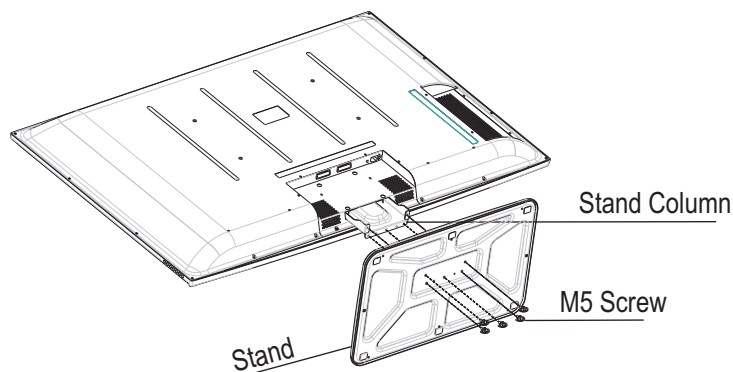
1. Please read these instructions thoroughly prior to attempting this installation.
2. Be sure to handle this product very carefully when attempting assembly. If you are unsure of your capability, or the use of tools necessary to complete this activity, refer to a professional installer or service personnel. The manufacturer is not responsible for any damages or injuries that occur due to mishandling or improper assembly/installation.
3. When using a table or bench as an aid to assembly, be sure to put a soft cushion or covering to prevent accidental scratching or damage to the unit's finish.
4. The speaker is not intended to support the weight of this display. Do not move or handle this product from the speaker; which can cause damage to the display not covered under the manufacturer's warranty.

Identifying the following parts



Install the Stand

1. Place carefully the display on its front side, using a soft cloth, blanket or cushion to protect its surface from scratching. Only use a stable table, counter or stand to perform this work.
2. Align the holes on the stand with the holes in the stand column and secure the stand to the column with the five M5 screws (provided).



3. Assembly is now complete. Please use extreme caution when moving the unit to its final location; use only strong and stable furniture or other device for placing your display.

! NOTE:

1. Appearance of this product in illustrations may differ from your actual product, and is for comparative purposes only.
2. Design of this accessory or display products are subject to change without notice.