

# SANYO

---

RP-5069S AM/FM POCKET RADIO



INSTRUCTION MANUAL

## OPERATING INSTRUCTIONS

### BATTERY INSTALLATION

1. Press and slide down the battery cover which is located on the back of the cabinet.
2. Insert 2 x 1.5V (AA) Batteries.
3. Close the battery cover.

### RADIO OPERATION

AM Broadcast Band:

1. The band selector switch, located on the side of the cabinet should be moved to the AM position.
2. Rotation of volume knob clockwise will operate the switch and turn the set on. The Knob may be further rotated to adjust the volume. To turn the set off, rotate the knob anti-clockwise until the switch clicks.
3. Tune the set to the desired station by rotating the Tuning knob. The AM broadcast Band is marked on the dial.

### FM BAND (FREQUENCY MODULATION)

1. The Band selection switch should be moved to the 'FM' position.
2. Your set is equipped with a telescopic whip antenna. For best results fully extend the whip antenna which is located on the top left hand side of the radio.
3. Tune the set to the desired station by rotating the tuning knob. The FM Band frequencies are also marked on the dial.

### ANTENNA

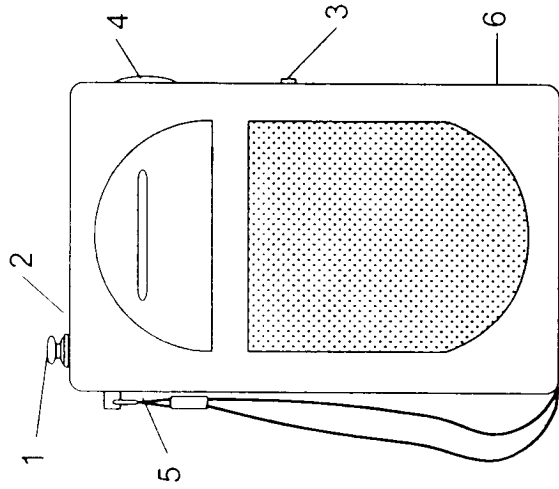
Your new radio is equipped with a highly sensitive built-in ferrite rod antenna for use on the AM Band, plus a telescopic whip antenna for FM reception. Since all transistor radios are slightly directional, it is desirable to rotate the radio to obtain the best reception.

### BATTERY REPLACEMENT

Exhausted batteries may leak and damage the set, or cause weak, distorted or whistling reception. Replace when required. When the set is not to be used for an extended period, remove the batteries from the radio.

### SPECIFICATIONS

Circuitry	: IC Circuit
Semiconductor	: Transistors
Tuning Range	: AM 540 – 1600 KHz FM 88 – 108 MHz
Sensitivity	: AM 600uV FM 8uV
Output Power	: 140mW max
Intermediate Frequency	: FM 10.7 MHz AM 455 KHz
Antennas	: AM Built-in Ferrite Antenna FM External Rod
Speaker	: 2 1/4" 8 ohm



1. Telescopic Antenna
2. Jack Socket
3. Band Switch Selector
4. Tuning Knob
5. Volume Knob
6. Battery compartment