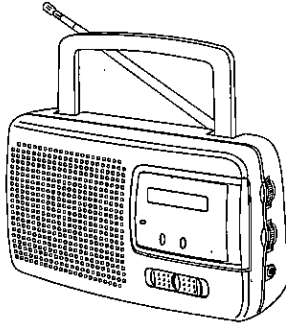


INSTRUCTION MANUAL

AM/FM Portable Radio

SANYO

RP-6165F



SPECIFICATIONS

RADIO SECTION

Tuning range:

FM: 87.5 ~ 108MHz

AM: 526.5 ~ 1606.5kHz

Aerials:

Built-in ferrite bar and telescopic rod aerial.

GENERAL

Power output:

400 mW (DC max)

Speaker:

90mm x 1, 4 ohms

Terminal:

EAR: 8 ohms (not supplied)

Power source:

AC: 230V ~ 240V 50Hz

DC: 4.5V (3 "R20/D" size batteries)

Dimensions:

228 x 143 x 75mm (W x H x D)

Weight:

Approx. 800g (without batteries)

Specifications subject to change without notice.

1AD6P1P1916--
(AU)

SANYO

SANYO Electric Co., Ltd. made in CHINA

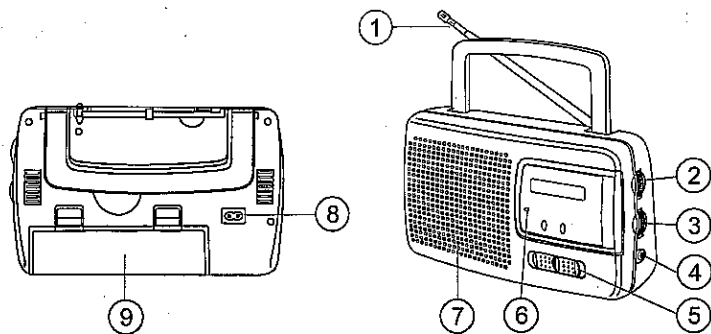


Fig. 1

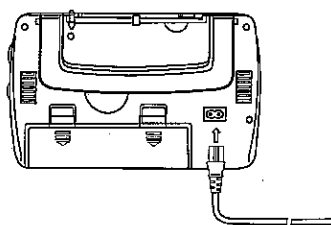


Fig. 2

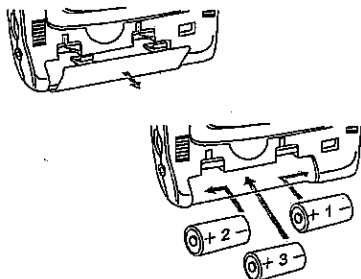


Fig. 3

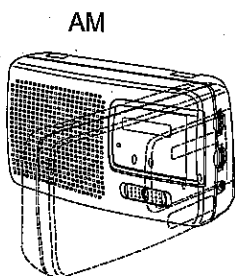
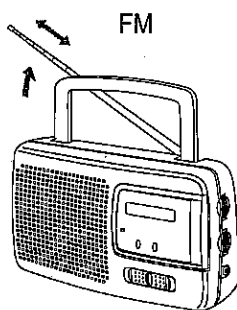


Fig. 4



FOR SAFE AND EFFICIENT OPERATION

- Do not damage the mains lead.
- Do not take the unit apart.
- Do not insert pins, etc., Inside the unit.
- When not in use, disconnect the mains lead from the outlet. Grasp the plug, not the lead when disconnecting the unit.
- Do not drop the unit or subject it to strong shocks.
Doing so could result in damage.
- If water should enter the unit, electrical shock or a malfunction may result. Use in an area where there is low humidity and little dust.
- Do not use the unit areas where extremes in temperature occur (below 5° C or exceeding 35° C), or where it may be exposed to direct sunlight.
- Keep the unit away from heating appliances and electric sources that could cause static on the radio such as fluorescent lamps and motors.
- The apparatus shall not be exposed to dripping or splashing and that no objects filled with liquids, such as vases, shall be placed on the apparatus.
- Do not install this equipment in a confined space, such as a book case or built in cabinet.

CONTROLS (Fig.1)

1. Telescopic aerial
2. TUNING control (TUNING)
3. Volume control (VOLUME)
4. Earphone socket (EAR)
5. Band switch (BAND SELECTOR)
6. Tuning indicator (TUNING)
7. Speaker
8. AC input socket (AC INPUT)
9. Battery compartment lid.

POWER SUPPLY

AC POWER OPERATION

Connect one end of the mains lead to the AC INPUT socket and the other end to An AC outlet (Fig.2)

THE UNIT IS NOT DISCONNECTED FROM THE MAINS UNLESS IT IS UNPLUGGED FROM THE AC OUTLET.

BATTERY POWER OPERATION (Fig.3)

1. Open the battery compartment lid.
2. Install 3 "R20/D" size batteries (not supplied). Refer to the polarity diagram on the back of the unit. Match the (+) and (-) marks on the diagram to the (+) and (-) marks on the batteries.
3. Replace the lid.

CAUTION

WHEN INSTALLING BATTERIES

To prevent battery electrolyte leakage, which may result in injury and damage to the unit or other objects, observe the following precautions:

1. All batteries must be installed with the proper polarity (see diagram on the back of the unit).
2. Do not mix new with old or used batteries.
3. Only use batteries of the same type and brand.
4. Remove the batteries when they are not be used for a long period of time.

RADIO OPERATION

1. Set the BAND switch to the desired band.
2. Turn on the radio by turning the VOLUME control upward until a 'click' sound is heard.
3. Turn in a desired station by turning the TUNING control. The TUNING indicator will light when a station is accurately tuned in.
4. Adjust the VOLUME control to your desired sound level.
5. For private listening, connect the earphone to the earphone socket (EAR)
6. To turn off the radio, tune the VOLUME control downward until a 'click' sound is heard.

Aerials(Fig. 4)

For FM reception, pull out the telescopic aerial and determine the direction, length and angle for optimum reception.

For AM reception, the aerial inside the unit is somewhat directional, and so reception from distant station may sometimes be improved by rotating the unit.

MAINTENANCE

CLEANING THE CABINET

Use a clean soft cloth moistened with plain lukewarm water and wrung dry. Never use benzol or other strong chemical cleaners since these could damage the finish of your unit.

It is important that no liquid reaches the inside of the unit.