



## **SANYO Software Pack 7.5 For Digital Movie Camera**

### **INSTRUCTION MANUAL**

Please read these instructions carefully before using. Be sure to keep this manual for later reference.

## ATTENTION

Regarding permission to use the CD-ROM

- This CD-ROM may not be reproduced without permission.
- When installing the software in this CD-ROM, permission is granted for its use only if the user agrees to the terms and conditions that are displayed at the start of installation.
- Regarding products by other manufacturers that are specified on this CD-ROM, and for service, please inquire of the respective manufacturer.
- It is strictly forbidden to copy this manual, wholly or in part, without prior written permission.
- The contents of this manual are subject to change without prior notice.
- Sanyo Electric shall not be held responsible for any problems resulting from the use of this product.
- Sanyo Electric declines all responsibility for damages due to improper use of this product, failure to adhere to the instructions given in this manual, or repairs or changes done by those other than a technician authorized by the manufacturer.
- Sanyo Electric shall not be held responsible for any damage caused by optional devices or consumable items used with this product other than those supplied with this product or those specified by Sanyo Electric.
- Sanyo Electric shall not be held responsible for any losses or loss of revenue resulting from the loss of data caused by the malfunction, or the repairing of a malfunction, of this product.

## **COPYRIGHTS**

This manual and the software are copyrighted materials from Sanyo Electric Co., Ltd.

PowerPC is a registered trademark of International Business Machines Corp. (USA)

Macintosh and QuickTime are registered trademarks of Apple Computer, Inc. in the USA and other countries.

Microsoft and Windows are registered trademarks of Microsoft Corporation in the USA and other countries.

DirectX is a registered trademark of Microsoft Corporation in the USA and other countries.

Intel and Pentium are registered trademarks of Intel Corporation (USA).

All other brand or product names mentioned in this manual are trademarks or registered trademarks of their respective companies.

---

# CONTENTS

---

INTRODUCTION .....	3
About this manual .....	3
The software .....	4
CD-ROM directory map .....	5
OPERATING ENVIRONMENT .....	6
Windows .....	6
Macintosh .....	6
BEFORE MOUNTING YOUR CAMERA .....	7
Cautions when using the camera as an external drive .....	7
Operating environment .....	7
Data file formats .....	8
Configuration of directories in the card .....	9
Setting to the card reader mode .....	10
For Windows XP users .....	11
For Windows Me/Windows 2000 users .....	12
For Windows 98/98SE users .....	13
For MAC OS 9.xx users .....	16
For MAC OS X users .....	16
INSTALLING THE APPLICATION SOFTWARE .....	17
Windows .....	18
Macintosh .....	19
HOW TO USE Photo Explorer .....	20
Set up the environment .....	20
Copying image data to a computer .....	22
USING AS A PC CAMERA .....	24
Before connecting your camera to a computer .....	24
Connect your camera to a computer .....	25
ABOUT Motion Director .....	27
Importing .....	27
Output format and playback .....	27
ABOUT MovieFactory .....	28
Main features .....	28
Additional features .....	29

---

# INTRODUCTION

---

This manual describes how to install and operate the SANYO Software Pack. Please read this manual carefully, in order to use the images and audio recordings captured with your camera in a wide range of applications.

## About this manual

The explanations in this manual conform to the following conventions.

- The examples given in this manual are generally based on a Windows environment. For Macintosh users, while the menu names and screen indications may be different, this is no impediment to understanding the operation. In those places where the operations for Macintosh users and Windows users differ, specific explanations are provided.
- In this manual, the SD Memory Card is referred to as "card".
  - This manual is designed for users with the following computer skills:
    - Knowledge of basic computer operations
    - Knowledge of basic mouse operations
    - Knowledge of how to open, close, move, minimize and maximize windows
    - Knowledge of how to move from one folder to another folder

Detailed information about the operations listed above can be found in the printed or online manuals accompanying the computer or operating system software.

### Symbols used in this manual

**HINT** Extra information about software or cautionary notes.

**CAUTION** Points requiring special attention.

**(page xx)** Refer to the page indicated for detailed information.

## The software

The following software applications are in the SANYO Software Pack.

### ■ Driver software

- USB driver

The USB driver is necessary when using the USB interface in a Windows 98/Windows 98SE environment.

### ■ Application software

Please see page 17 for a summary of each software program.

- QuickTime 6.5  
In this manual, referred to as QuickTime.
  - Ulead Photo Explorer 8.5 SE Basic (Windows)/Photo Explorer for Mac 2.0 (Macintosh)  
In this manual, referred to as Photo Explorer.
  - Motion Director SE 1.1 (Windows)  
In this manual, referred to as Motion Director.
  - Ulead DVD MovieFactory 4.0 SE (Windows)  
In this manual, referred to as MovieFactory
- \* PhotoExplorer and MovieFactory both support the MPEG-4 format.  
Installing these application software will allow you to view MPEG-4 files.

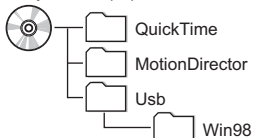
## CD-ROM directory map

Below is a directory map of the SANYO Software Pack contents.

<Windows>

- Disc1

Sanyo Disc1 (D:)\*



- Disc2

Sanyo Disc2 (D:)\*



\* The drive name (D:) may be different on your computer.

<Macintosh>

- Disc1

Sanyo Disc



# OPERATING ENVIRONMENT

## Windows

Software	CPU	Memory	Hard drive	OS
QuickTime	Pentium or faster	128 MB or more	11 MB or more	Windows 98*/Me/2000/XP
Photo Explorer	Pentium III 800 MHz or faster (Pentium IV 1.8 GHz or faster recommended)	256 MB or more (512 MB recommended)	950 MB or more (5 GB or more recommended)	Windows 98SE/Me/2000/XP
Motion Director	Pentium III 1 GHz or faster	256 MB or more (512 MB recommended)	100 MB or more	Windows 98SE/Me/2000/XP
Movie Factory	Pentium III 800 MHz or faster (Pentium IV 1.8 GHz or faster recommended)	256 MB or more (512 MB or more recommended)	950 MB or more (5 GB or more recommended)	Windows 98SE/Me/2000/XP

\* Including Windows 98SE

## Macintosh

Software	CPU	Memory	Hard drive	OS
Photo Explorer	Power PC or later	64 MB or more	20 MB or more	Mac OS 9.0 or later (CarbonLib 1.4 or more); Mac OS X 10.1 or later



---

# BEFORE MOUNTING YOUR CAMERA

---

The following is an explanation of the format of data recorded by your camera, as well as the configuration of directories in the card.

## Cautions when using the camera as an external drive

- Do not alter files or folders in your camera in any way. Doing so may result in your camera not recognizing that data.  
If you want to edit files, first copy them to your computer's hard drive.
- Cards formatted on your computer cannot be used by your camera. Format all cards to be used by your camera with your camera.

## Operating environment

### Windows

A computer with a standard-equipped USB port, and preinstalled with Windows 98, 98SE or later is required. Correct operation cannot be guaranteed for models that have been upgraded to Windows 98 from Windows 3.1 or 95.

### Macintosh

A model with a standard-equipped USB port, and preinstalled with Mac OS 9.0, 9.1, 9.2, Mac OS X 10.1 or later is required.

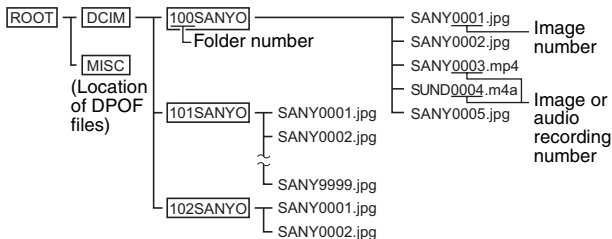
## Data file formats

The format of the files saved on the card and the method in which the file names are determined are explained below.

Type of data	Data format	File name structure
Still image data	JPEG	File name begins with SANY. Extension is “.jpg”. SANY****.jpg
Video clip data	MPEG-4	File name begins with SANY. Extension is “.mp4”. SANY****.mp4*
Audio recording data	MPEG-4 Audio (AAC compression)	File name begins with SUND. Extension is “.m4a”. SUND****.m4a*

\* Consecutive numbers assigned in the order the data was saved.

## Configuration of directories in the card



- \* Up to 9,999 files can be stored in folder 100SANYO. If more files are made, a folder named 101SANYO is created, and they will be stored in there. New folders will then be named in sequence, i.e., 102SANYO, 103SANYO, etc.

### HINT

#### About the volume name

- The volume name will be [XACTI C6] for a card that was formatted with the camera, and [Removable disc] for a card that was formatted with a computer.

#### About video clip data recorded with this camera

- You can use Apple's QuickTime 6.3 or later version to play back video clips on a computer. Playback may also be possible using other software that supports the ISO standard MPEG-4 (AAC audio). QuickTime 6.5 for Windows is supplied with the included CD-ROM (SANYO Software Pack).

#### About audio data recorded with this camera

- If you change the extension (.m4a) of audio data files to ".mp4", playback may be possible using software that supports the ISO standard MPEG-4 (AAC audio).

#### About file names when the card is replaced...

- If the file number reset function is set to off, even when the card is replaced, consecutive numbering of folder numbers and file names continues from the previously installed card (see page 125 in the camera's instruction manual).

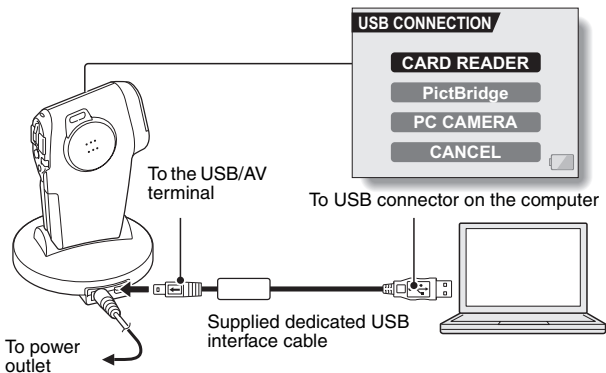
### CAUTION

#### If you intend to view the images on the camera, do not use a computer to rewrite the card data.

- If the folders, file names, or their configuration is modified using a personal computer, it will be impossible to play back the data using the camera, and the camera may not operate properly.

## Setting to the card reader mode


- 1 Connect the AC adaptor (supplied) to the docking station (see page 134 in the camera's instruction manual).
- 2 Start the computer, and use the dedicated USB interface cable (supplied) to connect the USB/AV socket on the docking station to the USB connector on the computer.
- 3 Open the camera's monitor unit, and set the camera in the docking station.
  - The CAMERA indicator on the docking station lights.
  - The USB Connection Screen appears on the camera's LCD monitor.



- 4 Select "CARD READER", and press the SET button.

### HINT

#### Is the docking station's CHARGE indicator lit?

- If the camera is set in the docking station with the monitor unit closed and the CHARGE indicator lights, the camera's data cannot be accessed.
- Press the operation mode button [  ] on the docking station to turn on the CAMERA indicator.

#### Is the power save (sleep) mode active?

- Press the operation mode button [  ] on the docking station.

---

## CAUTION

### Insert and pull out the cable carefully

- When connecting the cables, make sure that the cable plugs are correctly oriented and that they match the shapes of the terminal sockets on the devices. Push the plugs in straight when connecting them. If undue force is used to connect a cable, it may permanently damage the connector pins in the terminal socket.
- Do not use excessive force when connecting and disconnecting cables.
- Please connect the dedicated USB interface cable to your computer's USB connector. Do not connect it to the USB port on your monitor or keyboard, or to the USB hub. Be especially careful when installing the driver software. In some instances, it may not be possible to correctly install the driver software.

## For Windows XP users

### Mounting your camera

- 1 **Set the camera to the card reader mode (page 10).**
  - The message [Found New Hardware] appears in the task tray, showing that the camera is recognized as a drive.
  - The card is recognized (mounted) as a disk, and the [XACTI C6 (E:)] window opens.
    - \* The drive name (E:) may be different on your computer.
- 2 **Select an action.**
  - Select the desired procedure from the [XACTI C6 (E:)] window.

### Dismounting the camera

---

## CAUTION

- To disconnect your camera, be sure to follow the procedure below. Failure to follow this procedure may cause faulty operation of your computer or loss of card data.
- 1 **Left-click on the icon for safely removing hardware.**
    - A list appears showing the devices connected to the computer's USB connector.
  - 2 **Left-click on the camera drive (E:).**
    - The camera can now be disconnected.
      - \* The drive name (E:) may be different on your computer.

## For Windows Me/Windows 2000 users

### Mounting your camera

- 1 **Set the camera to the card reader mode (page 10).**
  - If a message appears on the computer monitor instructing you to load the Windows CD-ROM, follow the instructions and install the driver.
  - The camera is recognized as a drive, and [XACTI C6 (E:)] appears in the [My Computer] window.
    - \* The drive name (E:) may be different on your computer.
  - The card is recognized (mounted) as a disk.
  - Double-click on the [XACTI C6 (E:)] icon in [My Computer], and you can process the contents of the card installed in your camera exactly like you would the data in the other computer drives.

### Dismounting the camera

---

#### CAUTION

- To disconnect your camera, be sure to follow the procedure below. Failure to follow this procedure may cause faulty operation of your computer or loss of card data.
- 1 **Left-click on [Unplug or Eject Hardware] in the task tray.**
    - A list appears showing the devices connected to the computer's USB connector.
  - 2 **Left-click on the camera drive (E:).**
    - \* The drive name (E:) may be different on your computer.
    - The [Safe to Remove Hardware] dialog box will open.
  - 3 **Click on the [OK] button.**
    - You can now disconnect the camera.

### Mounting your camera

For Windows 98 and Windows 98SE users, please install the USB driver (SANYO Digital Camera Mass Storage Driver and SANYO Digital Camera Controller). Install the SANYO Digital Camera Mass Storage Driver before installing the SANYO Digital Camera Controller.

- ❶ **Insert the CD-ROM (SANYO Software Pack Disc 1) in your computer's CD-ROM drive.**
- ❷ **Set the camera to the card reader mode (page 10).**
  - The [Add New Hardware Wizard] dialog box will open.
  - If the [Add New Hardware Wizard] dialog box does not appear, double-click on the [Add New Hardware] icon in the [Control Panel] to open it, and proceed to step 3.
- ❸ **Click on the [Next] button.**
- ❹ **Specify the USB driver search method and search location.**
  - ❶ Place a check in the [Search for the best driver for your device. (Recommended)] checkbox, and click on the [Next] button.
  - ❷ Place a check in the [Specify a Location] checkbox, and click on the [Browse] button.
    - The [Browse for Folder] dialog box will open.
- ❺ **Specify the folder that has the USB driver.**
  - The USB driver is in the CD-ROM's [Usb] folder, in the [Win98] folder.
  - ❶ Double-click on [Sanyodsc (D:)].
    - "(D:)" denotes the CD-ROM drive name, which may be different on your computer.
  - ❷ Double-click on [USB].
  - ❸ Double-click on [Win98].
- ❻ **Click on the [OK] button.**
  - The [Browse for Folder] dialog box closes, and [D:\USB\WIN98] appears in the [Specify a location:] field. The first character (D) may vary depending on your computer configuration.

- 7 Click on the [Next] button.
- 8 When the dialog box appears announcing completion of the installation, click the [Finish] button.
  - Installation of the SANYO Digital Camera Mass Storage Driver is now completed. After a while, the [Add/Remove Hardware Wizard] dialog box appears again. Continue to the next step to install the SANYO Digital Camera Controller.
- 9 Install the SANYO Digital Camera Controller.
  - Use the same procedure as above to install the SANYO Digital Camera Controller.
  - When installation of the SANYO Digital Camera Controller is completed, USB driver installation is completed.
- 10 Confirm that the camera can be mounted.
  - When the USB driver has been correctly installed, the camera appears in the [My Computer] window as a [XACTI C6 (E:)] drive. The drive name (E:) may be different on your computer.

---

#### HINT

##### If [XACTI C6 (E:)] is not found...

The USB device driver has not been installed correctly. After deleting the USB device driver once by using the procedure below, install it again.

- ① Right-click on [My Computer], and select [Properties] from the menu.
  - The [System Properties] dialog box will open.
- ② Click on the [Device Manager] tab.
- ③ Click on [SANYO Digital Camera], and then click on the [Delete] button.
  - If there is no [SANYO Digital Camera], click on the [Cancel] button to close the dialog box, and proceed to step 4.
- ④ Insert the CD-ROM into the drive and re-install the driver.



## Dismounting the camera

---

### CAUTION

- To disconnect your camera, be sure to follow the procedure below. Failure to follow this procedure may cause faulty operation of your computer or loss of card data.
- ❶ **Right-click on the camera icon ([XACTI C6 (E:)]) in [My Computer].**
    - A menu appears.
      - \* The drive name (E:) may be different on your computer.
  - ❷ **Select [Remove] from the menu.**
    - You can now disconnect your camera.

## For MAC OS 9.xx users

### Mounting your camera

- 1 **Set the camera to the card reader mode (page 10).**
  - The camera is recognized as a drive and appears as an icon named [XACTI C6] on the Desktop.
  - Double-click on the [XACTI C6] icon, and you can process the contents of the card installed in your camera exactly like you would the data in the other computer drives.

### Dismounting the camera

---

#### CAUTION

- To disconnect your camera, be sure to follow the procedure below. Failure to follow this procedure may cause faulty operation of your computer or loss of card data.
- 1 **Drag the [XACTI C6] icon for your camera on the Desktop to the trashcan.**
    - The [XACTI C6] icon disappears from the Desktop.
    - You can now disconnect your camera.

## For MAC OS X users

Use the same mounting and dismounting procedure as for the MAC OS 9.xx. However, if an application which automatically recognizes camera images is installed, it will be activated.

---

#### CAUTION

##### When using in a Mac OS X Classic environment

- It is not possible to save or load data directly to or from the card installed in the camera. The data must first be saved once to your hard disk.

---

# INSTALLING THE APPLICATION SOFTWARE

---

The SANYO Software Pack contains the application software indicated below. Installation of each application will serve to optimize your use of the data recorded with your camera.

- **QuickTime\*1**

Play back video clips. The recorded audio is played back at the same time. Be sure to install this application if you are going to view video clips that were photographed with your camera (Windows).

- **Photo Explorer\*2**

Organizing the data recorded with your camera is easy to understand using the graphic screen.

- **MovieFactory\*2**

Use this integrated tool to store various files—such as video and music files, photo files, data files, etc.—to disc for processing with your computer.

- **Motion Director**

Use Motion Director to remove motion blur from video clips captured with your camera and to make a single panorama still shot from a video clip recorded while panning.

\*1 By upgrading from QuickTime to QuickTime Pro, you will be able to edit QuickTime movies, among other features. You can upgrade from Apple Computer, Inc.'s web page at <http://www.apple.com>.

\*2 If PhotoExplorer or MovieFactory is installed on your computer, you can use Windows Media Player to play back video clips (MPEG-4) that were recorded with your camera.

For information about software updates, please refer to the following website:

<http://www.ulead.com/>

## Windows

- 1 **Insert the CD-ROM (SANYO Software Pack Disc 1 or 2) in your computer's CD-ROM drive.**
  - The installation window soon appears.
  - If the installation window does not appear, double-click on the CD-ROM icon in the My Computer window, and double-click on [Autorun] or [Autorun.exe] in the CD-ROM window.
    - \* The drive name (D:) may be different on your computer.
- 2 **Click on the name of the application software you wish to install.**
  - The window for beginning the installation procedure for the specified application will open.
  - The installer program for each application is preset to properly install the software. If you are unfamiliar with the computer, we recommend clicking the [Next] button at each screen.
  - If a user registration dialog box appears, do not enter anything in the [Enter your registration information] dialog box, and click on the [Next] button.
  - If a dialog box prompting you to restart your computer appears, restart your computer.

You can find more information about the respective applications at:

QuickTime: <http://www.apple.com>

Photo Explorer: <http://www.ulead.com>

- 3 **Click on [EXIT].**

---

### HINT

#### About Kodak online service

- When you complete the installation, a dialog box to connect to the website introducing Kodak's online service appears. To go to the website, select the [Tell me more now !] option button. If you do not wish to go to the website, select on the [No thanks !] option button. Click on the [OK] button.
- Also, when the installation is completed, a shortcut icon for the FREE Kodak Offer is created on the desktop.

### Photo Explorer installation

- 1 **Insert the CD-ROM (SANYO Software Pack Disc 1) in your computer's CD-ROM drive.**
  - The CD-ROM window will open after a few seconds.
  - If the window does not open, double-click on the CD-ROM icon [SanyoDSC] on the Desktop.
- 2 **Install the Photo Explorer.**
  - Open the [Photo Explorer] folder and copy the [English] folder (or whatever other language you prefer) to your hard disk.
  - When the folder has been copied, installation of the application is completed.

---

#### HINT

##### About the [Carbon Lib] folder

- If your computer's CarbonLib file (extension file) is earlier than version 1.4, please install the CarbonLib file (in the [Carbon Lib] folder) to the extension folder.

---

# HOW TO USE Photo Explorer

---

To copy data from your camera to your computer, when you open the drive for your camera from [My Computer], options are shown for copying data to your computer and for using Photo Explorer to copy data. Explained in this section is how to use Photo Explorer to copy the camera's data to your computer. For a detailed explanation of Photo Explorer, please see the Help menu of Photo Explorer.

## Set up the environment

Specify the source of the data (data location in your camera) to be copied.

### ■ Windows

- 1 Set the camera to the card reader mode (page 10).**
  - Open the [Ulead AutoDetector] dialog box.
  - If the window showing the contents of the card installed in the camera (XACTI C6 (E):) is open, click on the [Close] button to close it.
- 2 In the [Ulead AutoDetector] dialog box, check the box [Always open with the selected program], and click on the [OK] button.**
  - The [Copy file to...] dialog box will open.
  - If you check the [Always open with the selected program] box, the [Ulead AutoDetector] dialog box step will be skipped from the next time.
- 3 Turn ON the [Open Ulead Photo Explorer to view photos] option button, and click on the [OK] button.**
- 4 Click on the digital camera wizard icon on the toolbar.**
  - The [Digital Camera Wizard] dialog box will open.
- 5 Click on the drive name (A:) to the right of [Camera drive or card reader].**
  - The [Select Image Source] dialog box will open.
- 6 Turn ON the [Camera drive or memory card reader] option button, select the camera drive from the [Location] list box, and click on the [OK] button.**
  - The drive name to the right of [Camera drive or card reader] is changed to the drive specified in step 6.
  - If you wish to now read the data from the card installed in the camera, click on the [Start] button. The data from the card will be copied to My Documents\SANYO\_PEX.
  - If instead you wish to discontinue after changing the settings, click on the [Cancel] button.
  - The [Digital Camera Wizard] dialog box will close.

## ■ Macintosh

- ① **Set the camera to the card reader mode (page 10).**
  - The [XACTI C6] icon will appear on the desktop.
- ② **Open the folder in which Photo Explorer was installed, and double-click on the Photo Explorer program icon.**
  - Run Photo Explorer.
- ③ **Click on the digital camera wizard icon on the toolbar.**
  - The [Digital Camera Wizard] dialog box will open.
- ④ **Click on the icon in the [Camera flash disk drive] section.**
  - The [Choose Removable Drive] dialog box will open.
- ⑤ **Click on the drive for the camera connected to your computer (XACTI C6), and click on the [Select] button.**
  - The drive name in the [Camera flash disk drive] section is changed to [XACTI C6].
- ⑥ **Turn ON the [Create subfolder] checkbox.**
  - If you wish to now read the data from the card installed in the camera, click on the [Start] button.
  - If instead you wish to discontinue after changing the settings, click on the [Cancel] button.

## Copying image data to a computer

Copy image files to the computer from the card installed in your camera.

- 1 **Set the camera to the card reader mode (page 10).**
- 2 **Run Photo Explorer.**
- 3 **Click on the digital camera wizard icon on the toolbar.**
  - The [Digital Camera Wizard] dialog box will open.
- 4 **Click on the [Start] button.**
  - Copying begins.
  - A folder with the name as indicated below is automatically created, to which the data is copied.  
Windows: My Documents\SANYO\_PEX  
Macintosh: Macintosh HD:Ulead Photo Explorer
  - When copying is completed, the [Done] dialog box will appear.
- 5 **When copying is completed, click on the [OK] button.**
  - The copied data is shown in a thumbnail window.



## Photo Explorer features

With the Photo Explorer you have visually integrated control over multiple files, from camera images to DV camcorder video files to audio files (such as MP3 and WAV files).

### ■ Manage and edit image files

#### Viewing images

Images can be viewed full-size or full-screen. Use the keyboard controls or toolbar buttons to select the menu, and you can browse the images or play them back, for example, in a slideshow.

#### Organizing and editing images

You can copy and erase image files, as well as change the file names. In addition, you can rotate and flip images, and save the edited images as new files.

#### Adjusting images

You can easily enhance images by clipping and adjusting the contrast, brightness, color balance, etc. The created images can be used for wallpaper or screen savers.

### ■ Abundant slideshow features

Slideshows containing combinations of still images and video clips can be played back.

### ■ Convert the format of video clip data

Video clips (QuickTime format) that were shot with your digital camera can be converted to other formats, such as AVI and MPEG.

### ■ For questions about Photo Explorer

Further information about Photo Explorer can be found at <http://www.ulead.com>

#### <Where to find the serial number>

- From the Photo Explorer [Help] menu, select "About Ulead Photo Explorer". The program version as well as the serial number are shown.

---

# USING AS A PC CAMERA

---

If running Windows XP, you can connect the camera to a computer and use it as a PC camera. Before using your camera as a PC camera, please install Windows XP SP2.

The PC camera functions can be used with Windows Messenger 5.0 or later version, or MSN Messenger 7.0 or later version.

## Before connecting your camera to a computer

Please perform the following upgrades before connecting the camera to a computer.

- Upgrade Windows XP to SP2.  
Install Windows XP SP2.
- Install Windows Messenger 5.0 or later version.  
Download Windows Messenger 5.0 or later version, and install it.
- If using MSN Messenger, please install MSN Messenger 7.0 or later version.

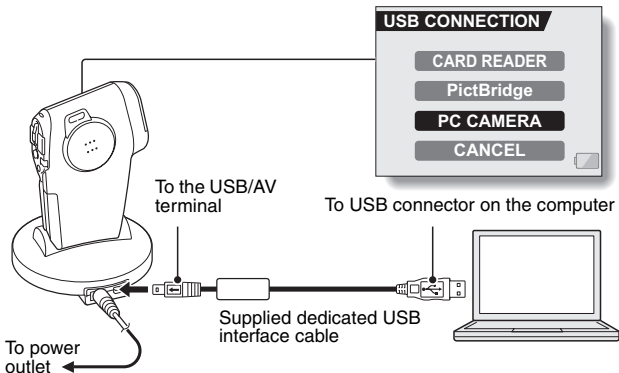
---

### CAUTION

- The PC camera function can be used only with computers in which Windows XP was preinstalled. Correct operation cannot be guaranteed for models that have been upgraded to Windows XP.
- The zoom cannot be used with the PC camera function. Moreover, only images can be recorded; audio data cannot be recorded.
- Although your camera can shoot at a maximum rate of 15 frames per second, the rate at which you can broadcast in the PC camera mode may be less than this depending on the speed of your Internet connection.

## Connect your camera to a computer

- 1 Connect the AC adaptor (supplied) to the docking station (see page 134 in the camera's instruction manual).
- 2 Start the computer, and use the dedicated USB interface cable (supplied) to connect the docking station's USB/AV terminal to the computer's USB connector socket.
- 3 Open the camera's monitor unit, and set the camera in the docking station.
  - The CAMERA indicator on the docking station lights.
  - The USB Connection Screen appears on the camera's LCD monitor.



- 4 Select "PC CAMERA", and press the SET button.

### CAUTION

#### Insert and pull out the cable carefully

- When connecting the cables, make sure that the cable plugs are correctly oriented and that they match the shapes of the terminal sockets on the devices. Push the plugs in straight when connecting them. If undue force is used to connect a cable, it may permanently damage the connector pins in the terminal socket.
- Do not use excessive force when connecting and disconnecting cables.

---

**HINT**

**If the [USB Video Device] icon does not appear in the [My Computer] window...**

- The device driver installation may not have been successful. Open the [Printer and Other Hardware] folder in [Control Panel], delete [USB Video Device] from [Scanners and Cameras], and reinstall the device driver.

---

# ABOUT Motion Director

---

Use Motion Director to remove motion blur from video clips captured with your camera and to make a single panorama still shot from a video clip recorded while panning.

An outline of Motion Director is introduced below. For details, please refer to online help for Motion Director.

## Importing

Motion Director can read either of these file formats:

- MOV
- MP4

The compression coding for each is as follows:

Format	Video coding	Audio coding
MOV	Motion JPEG	WAVE
MP4	ISO MPEG-4	AAC

The frame size is VGA (640 × 480 pixels) or less.

## Output format and playback

Motion Director can write files in the following formats:

Motion-blur correction: MPEG-4, MOV

Panorama composite: JPEG, BMP, TIFF, QuickTime VR

VR spatiotemporal images saved in the QuickTime VR format using Apple's QuickTime Player can be viewed.

---

# ABOUT MovieFactory

---

MovieFactory is an integrated tool for processing and storing video, music, photo and data files to disc with your computer.

The limited edition contained in the SANYO Software Pack comprises DVD authoring functions only.

For information concerning how to use MovieFactory, click on [Program] → [Ulead DVD MovieFactory 4.0 SE For SANYO] → [User Manual], and select [DVD MovieFactory User Guide] to access the user's manual.

## Main features

- Create your own movie discs  
Create your own movies in DVD or Video CD format. Download image data from a DV camera, digital movie camera, digital camera, video tapes and TV programs, for example, add effects, and then save the edited data on a disc.  
**<To download a video clip file from the camera>**
  - ① Click on [Create Video DVD].
  - ② Click on [DVD-Video or DVD+VR].
  - ③ Click on the [Add video files] icon.
  - ④ Follow the steps indicated in the message.
- Make slideshows  
Create a slideshow of the still images etc. captured with your digital camera, and store them to DVD or CD. Ideal for sorting and managing your photos.
- Capture directly to disc  
Burn DVD discs directly from your DV camera, video tapes, TV programs, etc., while you view them in realtime.
- Disc copy  
It's easy to make disc-to-disc copies. Works for any kind of disc—DVDs, music CDs, MP3 files, your homemade discs, data discs.

---

## CAUTION

- Note that MovieFactory cannot be used to successfully record to DVD from media which incorporate copy-protect or scrambling technologies to protect copyrights.

## Additional features


- Burn from disc images  
When burning a DVD video, save an image file of the same contents on your computer's hard drive. Use this file to burn the data to disc.
- Labels for your discs  
Print your own labels for your CDs and DVDs. (Blank labels for printing are available commercially.)

### ■ For questions about MovieFactory

Further information about MovieFactory can be found at

<http://www.ulead.com/>

#### <Where to find the serial number>

- From the MovieFactory  menu, select "About Ulead DVD MovieFactory".  
The program version as well as the serial number are shown.

**SANYO**

---

**SANYO Electric Co., Ltd.**