

QUICK GUIDE

Digital Movie Camera

Important note

This manual explains how to safely operate the VPC-HD1010EX, VPC-HD1010 and VPC-HD1010GX.
Any information regarding only one of these products will be labeled as such.

Please read these instructions carefully before using the camera.
Make sure to read and understand the separate booklet "SAFETY MANUAL".
Keep this manual in a safe place for later reference.

CONTENTS

ABOUT THIS MANUAL	2
PARTS NAMES	3
INSTALLING THE CARD	5
CHARGING THE BATTERY PACK	6
TURNING THE CAMERA ON AND OFF	8
DATE AND TIME SETTING	9
SWITCHING BETWEEN THE SHOOTING MODE AND PLAYBACK MODE	11
SIMPLE MODE/NORMAL MODE	12
VIDEO CLIP RECORDING	18
SHOOTING SINGLE SHOTS	19
PLAYING BACK VIDEO CLIPS AND STILL IMAGES	21
USING THE Xacti Library	23

ABOUT THIS MANUAL

This instruction manual explains the basic operation of your camera. For complete information on the operation and use of your camera, please read the PDF files in the CD-ROM (Sanyo Software Pack) included with the camera.

About the PDF-format Instruction Manuals

Instruction manuals for the Camera and the Sanyo Software Pack are stored as PDF files in the CD-ROM (Sanyo Software Pack).

To read the PDF files, you will need Adobe® Acrobat® Reader 4.0 or later. If one is not installed in your computer, install it from the CD-ROM (Sanyo Software Pack).

An English version of Adobe® Acrobat® Reader is provided on the CD-ROM (Sanyo Software Pack). If you need a version for a different language, you can download it from the web site given below (Adobe® Reader).

<http://www.adobe.com/products/acrobat/readstep2.html>

■ To install Acrobat Reader

For information on how to use Acrobat Reader, read the Help files of Acrobat Reader.

Installing to a Windows computer

- 1 Set the CD-ROM (Sanyo Software Pack) in the DVD drive.
 - The installation window soon appears.
 - If the installation window does not appear, double-click on the [Sanyo DSC (D:)] icon in the My Computer window, and double-click on [Autorun.exe] in the [Sanyo DSC (D:)] window.
 - * The drive name (D:) may be different on your computer.
- 2 In the installation window, click on [Adobe Reader 8].
 - Installation begins. Follow the messages that appear on your screen to complete the installation.
 - When installation is completed, restart your computer.

Installing to a Macintosh computer

Double-click the installer icon located inside the Adobe Reader folder that is in the CD-ROM.

- When the installer window opens, follow the instructions given on the screen and complete the installation of Acrobat Reader.

■ How to view the PDF-file Instruction Manuals

- 1 Insert the CD-ROM (Sanyo Software Pack) in your computer's CD-ROM drive.
 - The installation window appears.
- 2 In the installation window, click on [Instruction Manuals (PDF)].
 - The list of languages in which the instruction manual is available appears.
- 3 Click on the language of your choice.
 - The folder containing the instruction manual opens.
 - Double-click on the icon to view the instruction manual.

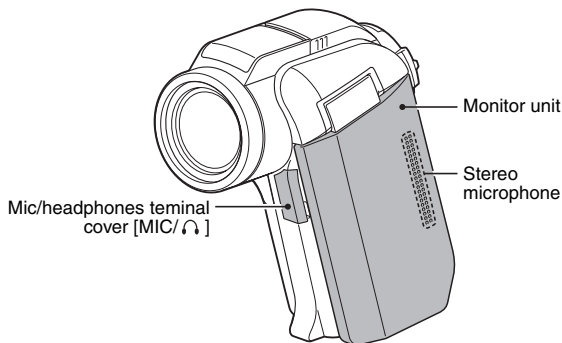
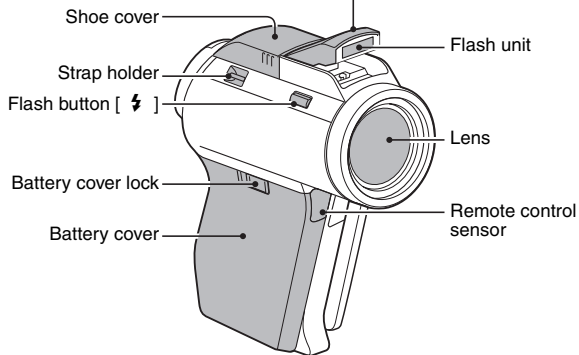
PARTS NAMES

Camera

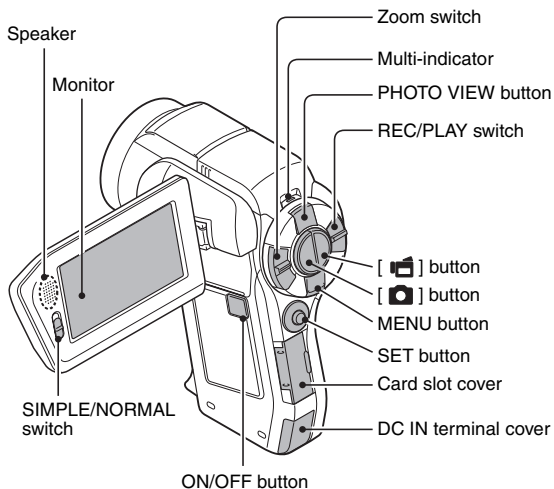
Front

Flash

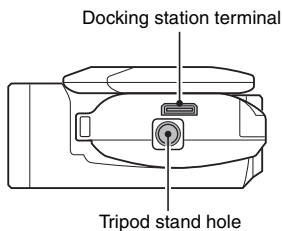
- Extends when the flash button [⚡] is pressed.



Rear

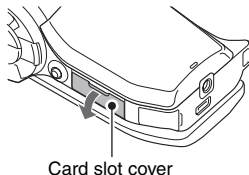


Bottom

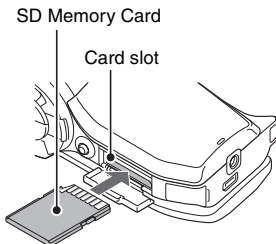


INSTALLING THE CARD

- 1** Open the card slot cover, and insert the card in the card slot.



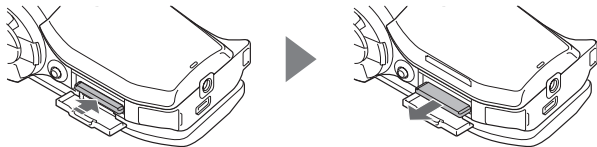
- 2** Insert the card all the way in.
- Firmly insert the card until it clicks into place.



- 3** Close the card slot cover.

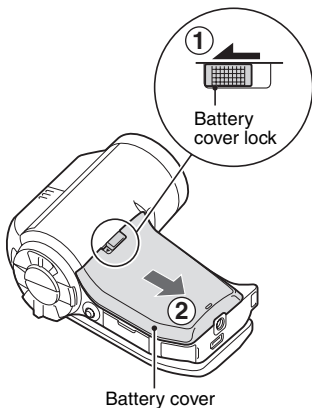
<To remove the card...>

- To remove the card, press it in, and then release. The card will protrude slightly, and you can then pull it out.

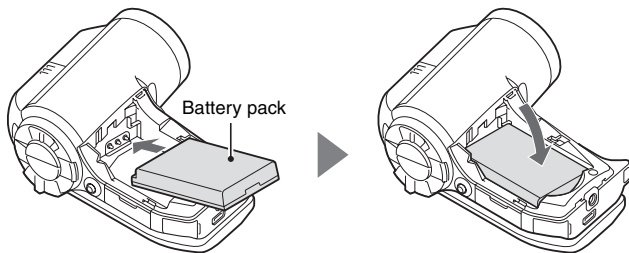


CHARGING THE BATTERY PACK

- 1** While pressing the battery cover lock, slide it (①), and pull out the battery cover toward the bottom of the camera (②).
- The battery cover comes off.



- 2** Insert the battery pack.
- Take care that it is positioned correctly.

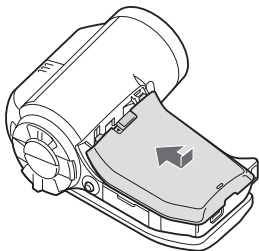


CHARGING THE BATTERY PACK

3 Replace the battery cover.

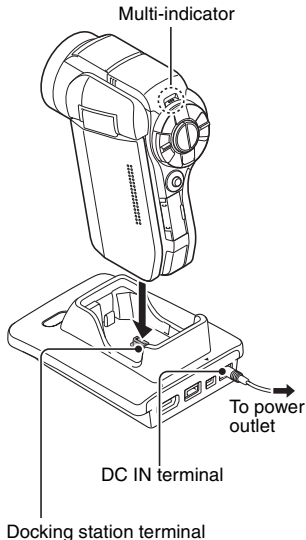
<To remove the battery pack...>

- Raise the edge of the battery pack to remove it.



4 Close the camera's monitor unit, and set the camera in the docking station.

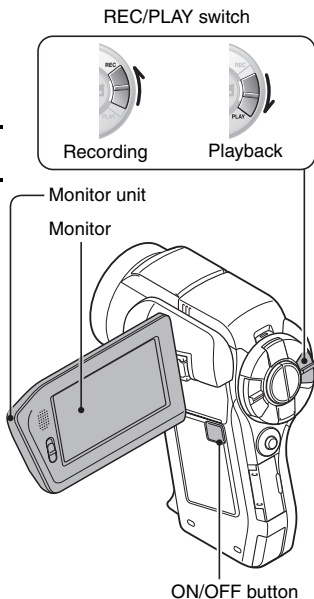
- Set the camera securely, making sure that the camera is correctly oriented in relation to the terminal contacts in the docking station.
- Charging begins when the camera is set in the docking station.
- During charging, the multi-indicator is lit red. When charging is completed, the indicator turns off.
- If the multi-indicator flashes red, it indicates that the battery pack is defective or the camera is not correctly set in the docking station. Reset the camera correctly in the docking station.
- The charging time is approx. 200 minutes.



TURNING THE CAMERA ON AND OFF

Turning on the camera

- 1 Set the REC/PLAY switch.**
To shoot pictures:
Set to REC.
To play back images:
Set to PLAY.
- 2 Open the monitor unit.**
- 3 Press the ON/OFF button for at least 1 second.**
 - The camera turns on.
 - If the date and time have not been set, the screen to set the date and time is shown on the monitor.



Turning off the camera

- 1 Press the ON/OFF button for at least 1 second.**
 - The camera turns off.

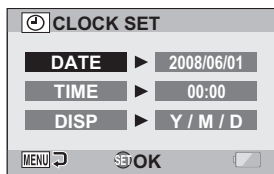
DATE AND TIME SETTING

The camera will record the date and time an image or audio recording is taken so that you can display them during playback. Therefore, before capturing images, make sure the correct date and time are set.

Example: To set the clock to 7:30 p.m. on December 24, 2008

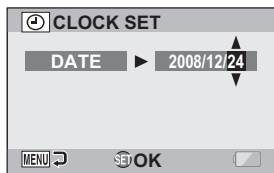
1 Turn on the camera (page 8), and press the SET button.

- The Clock Set Screen appears.
- Follow the procedures below to enable or disable the date display during playback, to set the display format for the date, and to set the date and time.
- To display the Recording or Playback Screen, press the MENU button 2 times.



2 Set the date.

- ① Select "DATE".
- ② Press the SET button.
 - The Set Date Screen appears.
- ③ Set the date to "2008/12/24".
 - The date is set in the following order: Set the year → Set the month → Set the day.
 - Toggle the SET button left or right to select year, month or day. Toggle the SET button up or down to increase or decrease the number.
- ④ Press the SET button.



3 Set the clock.

- ① Select "TIME".
- ② Press the SET button.
 - The Set Time Screen appears.
- ③ Set the time to "19:30".
 - The time is set in the following order: Set the hour → Set the minute.
 - A 24-hour clock is used for the time display.
- ④ Press the SET button.

4 Set the order in which the date is displayed during playback.

- ① Select "DISP".
- ② Press the SET button.
 - The Set Date Format Screen appears.
- ③ Toggle the SET button up or down.
 - Toggle the SET button up to change the displayed date order as follows:

→ Y / M / D → M / D / Y → D / M / Y →

Toggle the SET button down to change it in the reverse order.

- ④ Press the SET button.

5 Press the MENU button.

- The date and time setting is completed.
- To display the Recording or Playback Screen, press the MENU button.

SWITCHING BETWEEN THE SHOOTING MODE AND PLAYBACK MODE

Switch between the shooting mode (for recording) and the playback mode (for viewing your recorded images).

1 Turn on the camera (page 8).

2 Set the REC/PLAY switch to the desired mode.

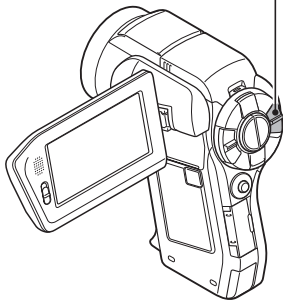
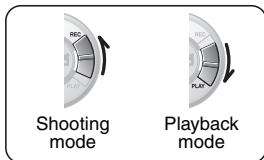
For recording:

Set it to REC.

For playback:

Set it to PLAY.

REC/PLAY button



SIMPLE MODE/NORMAL MODE

Switching between the SIMPLE and NORMAL modes

Use the SIMPLE/NORMAL switch, located next to the monitor, to switch between the SIMPLE and NORMAL modes.

1 Set the SIMPLE/NORMAL switch to the desired mode.

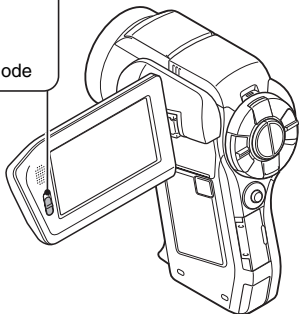
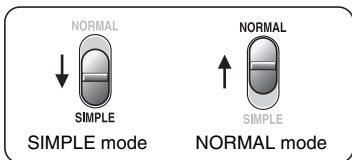
SIMPLE mode:

Set it to SIMPLE.

NORMAL mode:

Set it to NORMAL.

SIMPLE/NORMAL switch



SIMPLE MODE/NORMAL MODE

Accessing/exiting the SIMPLE/NORMAL Mode Menu Screen

-
- 1 Set the camera to the shooting or playback mode.**
 - Use the REC/PLAY switch to select the shooting mode or playback mode.

To access the Shooting Menu:
Set the switch to REC.

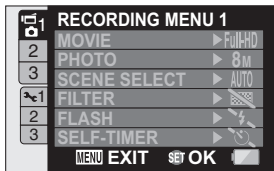
To access the Playback Menu:
Set the switch to PLAY.
 - 2 Set the camera to the SIMPLE mode or NORMAL mode.**
 - Use the SIMPLE/NORMAL switch to select the desired mode.

To select the SIMPLE mode:
Set the switch to SIMPLE.

To select the NORMAL mode:
Set the switch to NORMAL.
-

3 Press the MENU button.

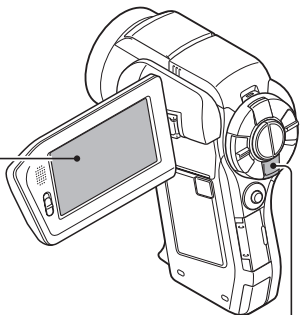
- The Menu Screen for the mode you selected in steps 1 and 2 appears on the monitor.
Display the SIMPLE Mode Setting Menu → go to page 15, step 4.
Display the NORMAL Mode Setting Menu → go to page 16, step 4.
- To cancel the Menu Screen, press the MENU button.



<Example: NORMAL Mode Shooting Menu>



<Example: SIMPLE Mode Shooting Menu>

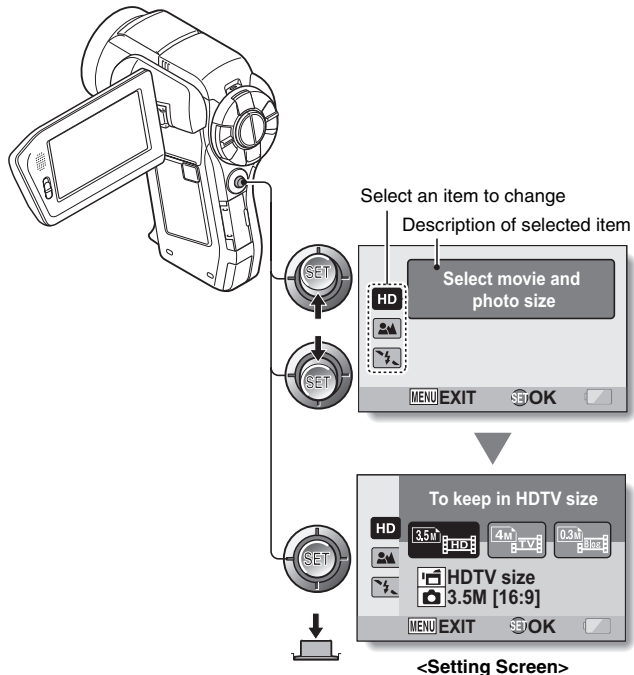


MENU button

SIMPLE MODE/NORMAL MODE

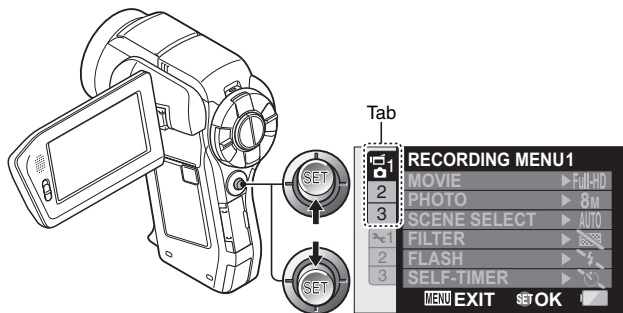
To access the SIMPLE Mode Setting Menu Screen

- 4** Toggle the SET button up or down to select the item you wish to change, and press the SET button.
- The Setting Screen for the selected item appears.

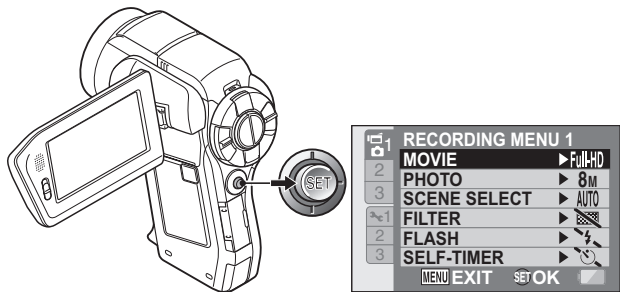


To access a NORMAL Mode Setting Menu

- 4** Toggle the SET button up or down to select a tab.
- The Menu Screen for the selected tab appears.



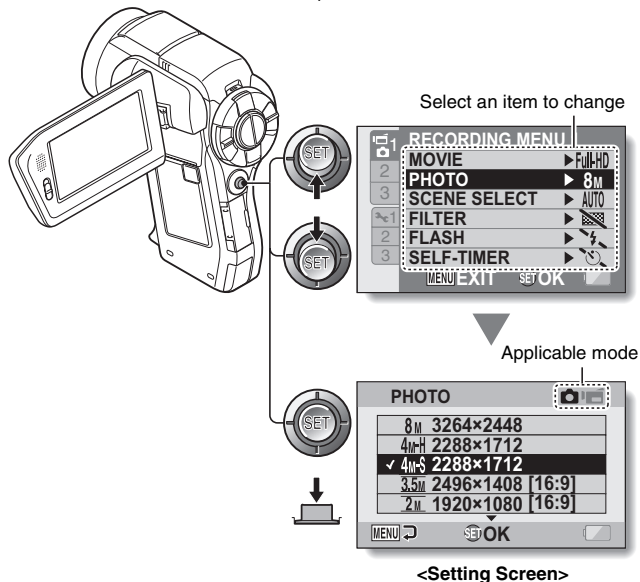
- 5** Toggle the SET button to the right.



SIMPLE MODE/NORMAL MODE

6 Toggle the SET button up or down to select the item you wish to change, and press the SET button.

- The Setting Screen for the selected item appears.
- To return to the Menu Screen, press the MENU button.



HINT

About the applicable mode indicator

- This indicator shows the shooting mode(s) for which the selected setting is effective.


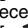

: This setting is effective during still image shooting.

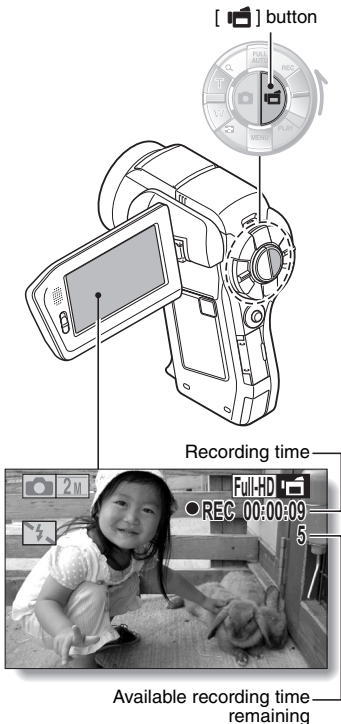
: This setting is effective during video clip recording.


: This setting is effective during still image shooting and video clip recording.

VIDEO CLIP RECORDING

- 1** Turn on the camera (page 8), and set it to the shooting mode (page 11).

- 2** Press the [] button.
 - Recording begins.
 - It is not necessary to keep the [] button pressed while shooting.
 - If you press the [] button while recording, you can capture a still image.
 - When the remaining recording time available for the currently recording clip becomes little, a countdown of the remaining recording time appears on the display.







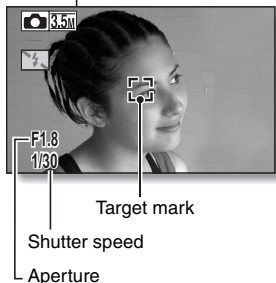
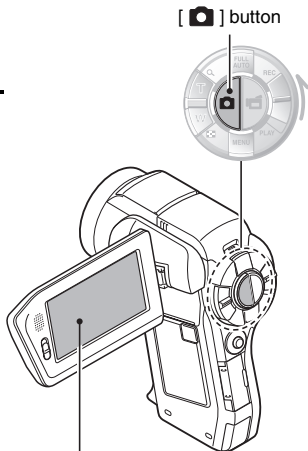
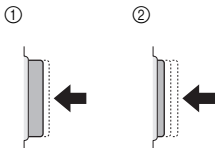
- 3** End the recording.
 - Press the [] button again to stop recording.

SHOOTING SINGLE SHOTS

Capture a still image (single-shot).

- 1 Turn on the camera (page 8), and set it to the shooting mode (page 11).

- 2 Press the [] button.
 - ① Press the [] button halfway.
 - The autofocus operates, and the image is focused (focus lock).
 - ② Continue to gently press the [] button all the way.
 - The shutter releases and the image is captured.
 - You can view the captured image on the monitor by keeping the [] button depressed when you capture the image (post-view).



Using the flash





- 1 Press the  button to open the flash unit.

- The flash unit opens.



- 2 Display the SIMPLE Mode Shooting Menu (page 13), select the flash setting, and press the SET button.

- The screen to select the flash operation appears.

- : The camera detects the subject brightness and uses the flash only when necessary.
- : The flash operates with every image captured regardless of the conditions.
- : The flash does not operate even in dark situations.
- : The camera detects the subject brightness and uses the flash only when required. At this time the flash operates in a manner that reduces the red reflection ("red-eye") in the subject's eyes.

- 3 Select the desired flash operation, and press the SET button.

- This completes the flash operation setting.

- 4 Press the [] button to take the picture.

PLAYING BACK VIDEO CLIPS AND STILL IMAGES

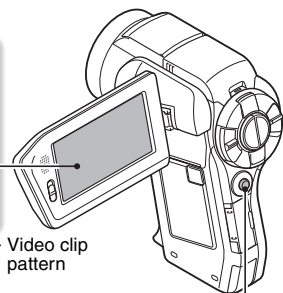
1 Set the camera to the playback mode (page 11).

2 Toggle the SET button to the left or right to display the image you wish to play back.

- Video clips are indicated by a video clip pattern along the left and right sides of the screen.



<Example: After recording a video clip>



SET button



<Example: After capturing a still image>

3 For a video clip, press the SET button.

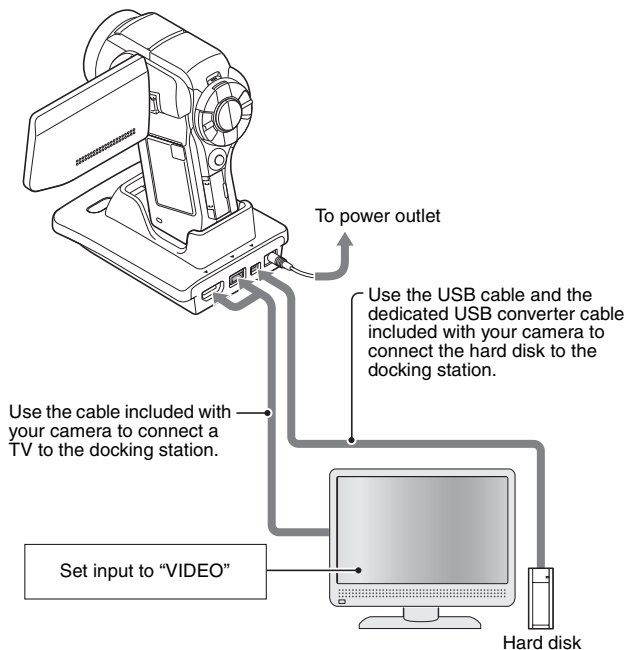
- Playback begins.

To do this...		Do this
Normal forward playback		Press the SET button.
Stop playback		During playback, toggle the SET button down.
Pause		During playback, press the SET button or toggle the SET button up. During accelerated playback, toggle the SET button up.
To play back one image at a time (single-frame step)	During forward playback	After pausing playback, toggle the SET button to the right.
	During reverse playback	After pausing playback, toggle the SET button to the left.
Slow playback	During forward playback	After pausing playback, press and hold the SET button to the right.
	During reverse playback	After pausing playback, press and hold the SET button to the left.
To accelerate playback	Forward playback	During forward playback, toggle the SET button to the right. * The playback speed changes each time the SET button is toggled to the right, as follows: Normal playback → 2× → 5× → 10× → 15× Toggle the SET button to the left to resume normal playback speed.
	Reverse playback	During forward playback, toggle the SET button to the left. * The playback speed changes each time the SET button is toggled to the left, as follows: 15× ← 10× ← 5× Toggle the SET button to the right to resume normal playback speed.
Return to normal playback speed		Press the SET button.
Adjusting the volume		Louder: During playback, push the zoom switch toward the [T] side. Softer: During playback, push the zoom switch toward the [W] side.

USING THE Xacti Library

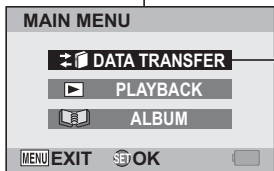
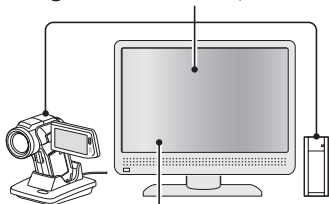
1 Connect a TV and a hard disk to the docking station, and set the camera in the docking station.

* Please make sure that the camera and all devices are turned OFF before proceeding.

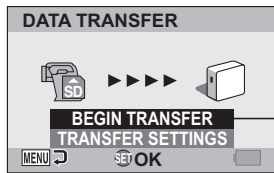


2 Copy files from the card installed in your camera to the hard disk.

- ① Turn on the camera, TV and hard disk.



- ② Select "DATA TRANSFER", and press the SET button.



- ③ Select "BEGIN TRANSFER", and press the SET button.

- File copying from the camera to the hard disk begins.
- When copying is complete, press the SET button.

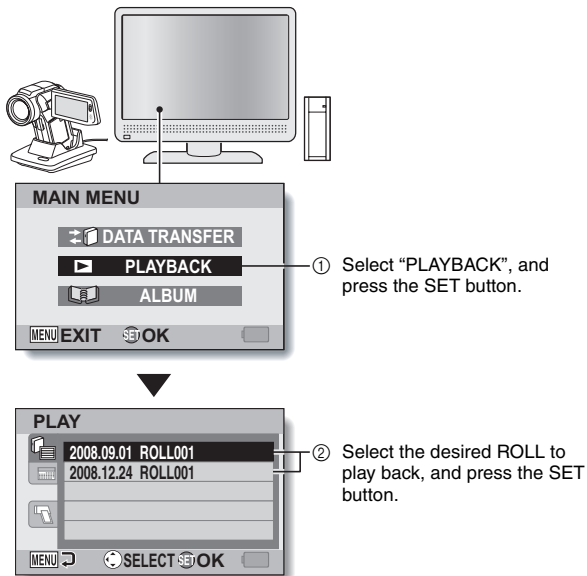
HINT

After step 1, does the screen to create a library appear?

- If the hard disk is being used for the first time with the Xacti Library, a screen confirming that you wish to create a library appears. Select "YES" and press the SET button, and the Xacti Library Main Menu will appear.

USING THE Xacti Library

3 Play back the files you copied to the hard disk.



- The rest of the playback procedure is the same as for normal camera operation.
- When you have finished using the camera, turn it off and remove it from the docking station.