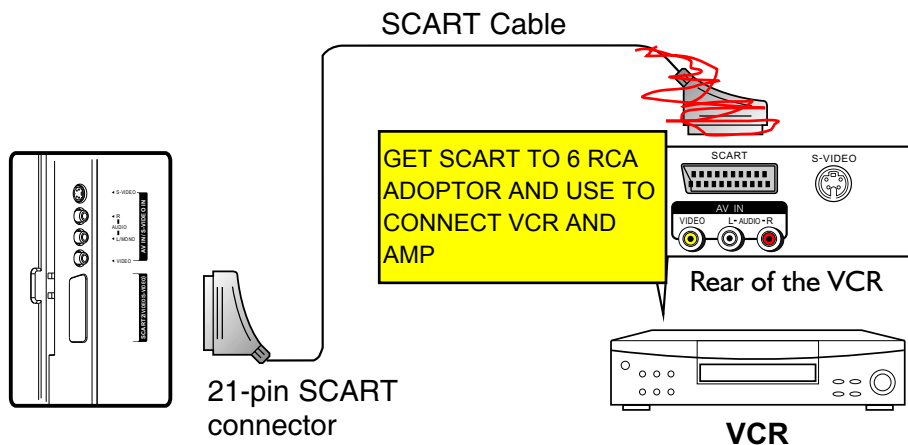


## Connections (continued)

### Connect a VCR



#### How to connect:

Connect the SCART Cable between the unit and the VCR.

#### To play VCR

1. Turn on your LCD TV , press **SOURCE** button on the remote control.
2. Push **ENTER**(Up/Down) to select **Scart2 AV** and press **ENTER** to confirm.
3. Turn on your VCR , insert a videotape and press the Play button.

#### Select Main Source

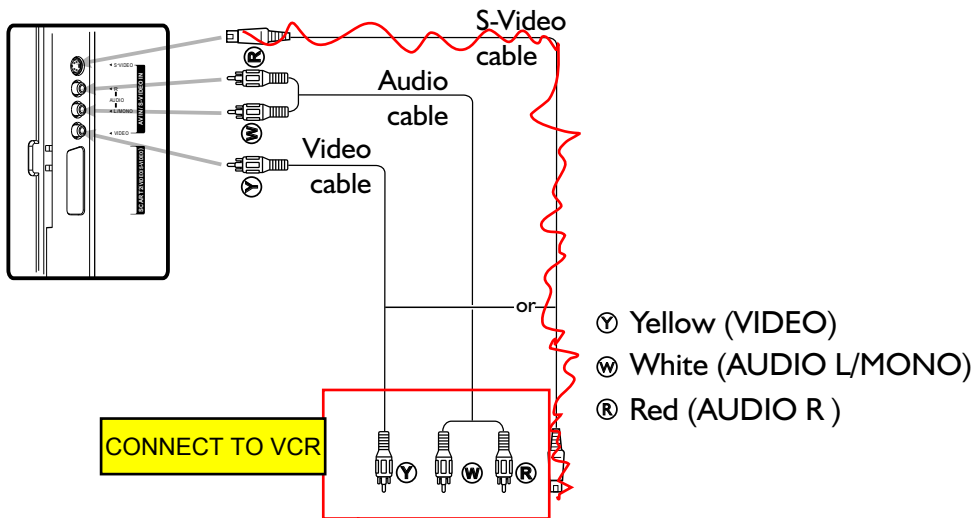
1. TV
2. Video
3. S-Video
4. Scart 1
5. Scart 2 AV
6. Scart 2 Y/C
7. YPbPr
8. D-Sub
9. HDMI

#### Note:

- The unit receives **CVBS (VIDEO)** signal and **Y/C (S-VIDEO)** signal from **SCART2** interface.
- When receiving **Y/C** signal, you need to select **Scart 2 Y/C** instead of **Scart 2 AV** in the source select menu. Therefore, if you find that the colour is not properly displayed, please try to select **Scart 2 Y/C**.
- To connect to external devices with AV terminals, you may use 21-pin Scart Converter to connect to SCART interface on the unit ,then please select **Scart 2 AV** and the unit receives **CVBS (VIDEO)** signal only.

# Connections (continued)

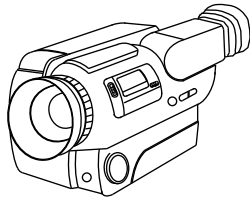
## Connect AV or S-Video inputs



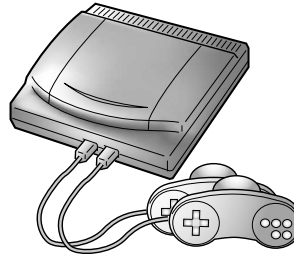
## Examples of external devices that can be connected



VCR



Video Camera



Home video game system

The unit provides Audio/Video inputs for you to connect external devices such as VCR, Video Camera or Home video game system.

### How to connect:

Connect the Audio/Video cables between the Audio (L/R)/Video jacks on the unit and external devices.

### To view signal from AV/S-VIDEO inputs

1. Turn on your LCD TV, press **SOURCE** button on the remote control.
2. Push **ENTER**(Up/Down) to select **Video** or **S-Video** and press **ENTER** to confirm.
3. Turn on the external device and play it.

Select Main Source
1. TV
2. Video
3. S-Video
4. Scart 1
5. Scart 2 AV
6. Scart 2 Y/C
7. YPbPr
8. D-Sub
9. HDMI

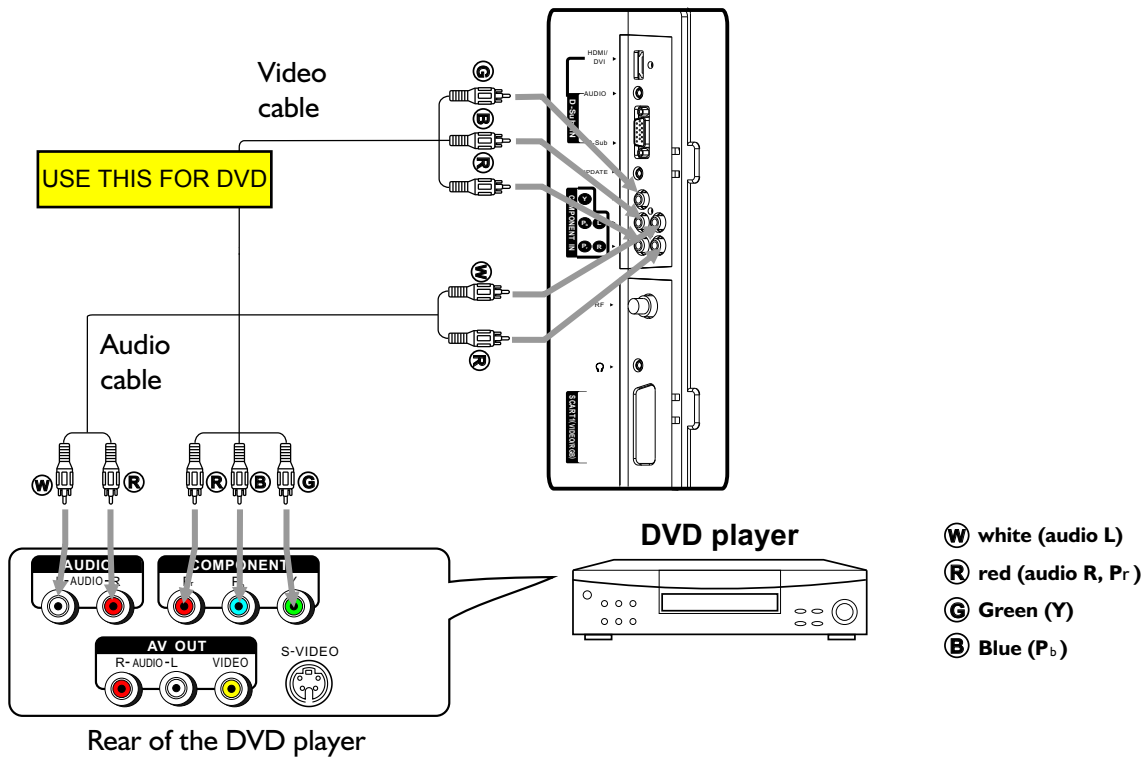
### Note:

For better video, you can use the **S-Video** terminal if your source supports it. The **S-Video** is prior to **Video** terminal when they are connected at the same time. To view picture from the **Video** terminal, disconnect any plug from the **S-Video** terminal.

The **Video** input terminal on the **AV IN** and the **S-Video** input terminal share the same **Audio** input terminals.

# Connections (continued)

## Connect a DVD Player or Home Cinema System



### How to connect a DVD Player or Home Cinema System using Component Video Connections:

Connect the Video cable between the Y, Pb, Pr input jacks on the unit and Y, Pb, Pr output jacks on the DVD player.  
Connect the Audio cable between the AUDIO input jack on the unit and AUDIO output jacks on the DVD player.

### To play DVD

1. Turn on your LCD TV, press **SOURCE** button on the remote control.
2. Push **ENTER**(Up/Down) to select **YPbPr**.
3. Press **ENTER** to confirm.
4. Turn on your DVD player, insert a DVD disc and press the Play button.

#### Select Main Source

1. TV
2. Video
3. S-Video
4. Scart 1
5. Scart 2 AV
6. Scart 2 Y/C
7. YPbPr
8. D-Sub
9. HDMI

### Note:

The Y, Pb, Pr outputs on your DVD player are sometimes labeled Y, Cb, Cr or Y, B-Y, R-Y. If so, connect the cables to like colours.