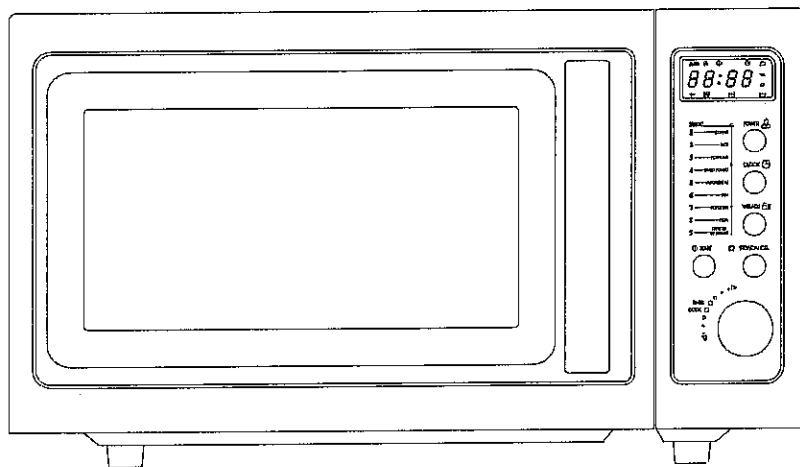


SANYO

OWNER'S MANUAL

EMS230

Microwave Oven



1. READ these instructions carefully before installing and operating the oven. Keep them for further reference.
2. Record in the space below the SERIAL NO. found on the nameplate on your oven and retain this information for future reference.

SERIAL NO.:

CONTENTS

Precautions to Avoid Possible Exposure to Excessive Microwave Energy.....	1	Important Safety Instructions	3
Specifications.....	1	Microwave Cooking Principles.....	4
Before You Call for Service.....	2	Utensils Guide.....	5
Installation.....	2	Part Names.....	5
Grounding Instructions.....	2	Control Panel.....	6
Radio Interference.....	3	How to Set the Oven Controls.....	7
		Cleaning and Care.....	9

PRECAUTIONS TO AVOID POSSIBLE EXPOSURE TO EXCESSIVE MICROWAVE ENERGY

- (a) Do not attempt to operate this oven with the door open since open-door operation can result in harmful exposure to microwave energy. It is important not to defeat or tamper with the safety interlocks.
- (b) Do not place any object between the oven front face and the door or allow soil or cleaner residue to accumulate on sealing surfaces.
- (c) Do not operate the oven if it is damaged. It is particularly important that the oven door close properly and that there is no damage to the :
 - 1 Door (bent),
 - 2 Hinges and latches (broken or loosened),
 - 3 Door seals and sealing surfaces.
- (d) The oven should not be adjusted or repaired by anyone except properly qualified service personnel.

SPECIFICATIONS

Power Consumption: 230V~50Hz, 1400W(Microwave)
Output: 900W
Operation Frequency: 2450MHz
Outside Dimensions: 310mm(H)×510mm(W)×335mm(D)
OvenCavityDimensions:202mm(H)×510mm(W)×322mm(D)
Oven Capacity: 23Litres
Cooking Uniformity: Turntable System{Φ314mm}
Net Weight: Approx.15.6kg

BEFORE YOU CALL FOR SERVICE

If the oven fails to operate:

- A) Check to ensure that the oven is plugged in securely. If it is not, remove the plug from the outlet, wait 10 seconds and plug it in again securely.
- B) Check for a blown circuit fuse or a tripped main circuit breaker. If these seem to be operating properly, test the outlet with

another appliance.

- C) Check to ensure that the control panel is programmed correctly and the timer is set.
- D) Check to ensure that the door is securely closed engaging the door safety lock system. Otherwise, the microwave energy will not flow into the oven.

IF NONE OF THE ABOVE RECTIFY THE SITUATION, THEN CONTACT A QUALIFIED TECHNICIAN. DO NOT TRY TO ADJUST OR REPAIR THE OVEN YOURSELF.

INSTALLATION

1. Make sure that all the packing materials are removed from the inside of the door.
2. Check the oven for any damage, such as misaligned or bent door, damaged door seals and sealing surface, broken or loose door hinges and latches and dents inside the cavity or on the door. If there is any damage, do not operate the oven and contact a qualified service personnel.
3. This microwave oven must be placed on a flat, stable surface to hold its weight and the heaviest food likely to be cooked in the oven.
4. Do not place the oven where heat, moisture or high humidity are generated, or near combustible materials.
5. For correct operation, the oven must have sufficient airflow. Allow 20cm of space above the oven, 10cm at back and 5cm at both sides. Do not cover or block any openings on the appliance. Do not remove feet.
6. Do not operate the oven without glass tray, roller support, and shaft in their proper positions.
7. Make sure that the power supply cord is undamaged and does not run under the oven or over any hot or sharp surface.
8. The socket must be readily accessible so that it can be easily unplugged in an emergency.
9. Do not use the oven outdoors.

GROUNDING INSTRUCTIONS

This appliance must be grounded. This oven is equipped with a cord having a grounding wire with a grounding plug. It must be plugged into a wall receptacle that is properly installed and grounded. In the event of an electrical short circuit, grounding reduces risk of electric shock by providing an escape wire for the electric current. It is recommended that a separate circuit serving only the oven be provided. Using a high voltage is dangerous and may result in a fire or other accident causing oven damage.

WARNING: Improper use of the grounding plug can result in a risk of electric shock.

Notes: 1.If you have any questions about the grounding or electrical instructions, consult a qualified electrician or service person.

2. Neither the manufacturer nor the dealer can accept any liability for damage to the oven or personal injury resulting from failure to observe the electrical connection procedures.

The wires in this mains cable are colored in accordance with the following code:

Green and Yellow = EARTH

Blue = NEUTRAL

Brown = LIVE

RADIO INTERFERENCE

1. Operation of the microwave oven can cause interference to your radio, TV or similar equipment.
2. When there is interference, it may be reduced or eliminated by taking the following measures:
 - a. Clean door and sealing surface of the oven.
 - b. Reorient the receiving antenna of radio or television.
 - c. Relocate the microwave oven with respect to the receiver.
 - d. Move the microwave oven away from the receiver.
 - e. Plug the microwave oven into a different outlet so that microwave oven and receiver are on different branch circuits.

IMPORTANT SAFETY INSTRUCTIONS

When using electrical appliance basic safety precautions should be followed, including the following:

WARNING: To reduce the risk of burns, electric shock, fire, injury to persons or exposure to excessive microwave energy:

1. Read all instructions before using the appliance.
2. Use this appliance only for its intended use as described in this manual. Do not use corrosive chemicals or vapors in this appliance. This type of oven is specifically designed to heat, cook or dry food. It is not designed for industrial or laboratory use.
3. Do not operate the oven when empty.
4. Do not operate this appliance if it has a damaged cord or plug, if it is not working properly or if it has been damaged or dropped.
5. As with any appliance, close supervision is necessary when used by children.
6. To reduce the risk of fire in the oven cavity:
 - a. When heating food in plastic or paper container, check the oven frequency to the possibility of ignition.
 - b. Remove wire twist-ties from paper or plastic bags before placing bag in oven.
 - c. **If smoke is observed, switch off or unplug the appliance and keep the door closed in order to stifle any flames.**
 - d. Do not use the cavity for storage purposes. Do not leave paper products, cooking utensils or food in the cavity when not in use.
7. Liquid or other food must not be heated in sealed containers since they are liable to explode.
8. Microwave heating of beverage can result in delayed eruptive boiling, therefore care has to be taken when handle the container.
9. Do not fry food in the oven. Hot oil can damage oven parts and utensils and even result in skin burns.
10. Whole eggs should not be heated in the oven since they may explode.
11. Pierce foods with heavy skins such as potatoes, whole squash, apples and chestnuts before cooking.
12. The contents of feeding bottles and baby jars should be stirred or shaken and the temperature should be checked before serving in order to avoid burns.
13. Cooking utensils may become hot because of heat transferred from the heated food. Potholders may be needed to handle the utensil.
14. Utensils should be checked to ensure that they are suitable for use in microwave oven.
Utensil Test: Place the empty utensil in the oven, microwave at high power for 60 seconds. A utensil which becomes very hot should not be used.
15. **WARNING:** It is hazardous for anyone other than a trained person to carry out any service or repair operation which involves the removal of any cover which gives protection against exposure to microwave energy.

MICROWAVE COOKING PRINCIPLES

1. Arrange food carefully. Place thickest areas towards outside of dish.
2. Watch cooking time. Cook for the shortest amount of time indicated and add more as needed. Food severely overcooked can smoke or ignite.
3. Cover foods while cooking. Covers prevent spattering and help foods to cook evenly.
4. Turn foods over once during microwaving to speed cooking of such foods as chicken and hamburgers. Large items like roasts must be turned over at least once.
5. Rearrange foods such as meatballs halfway through cooking both from top to bottom

and from the center of the dish to the outside.

UTENSILS GUIDE

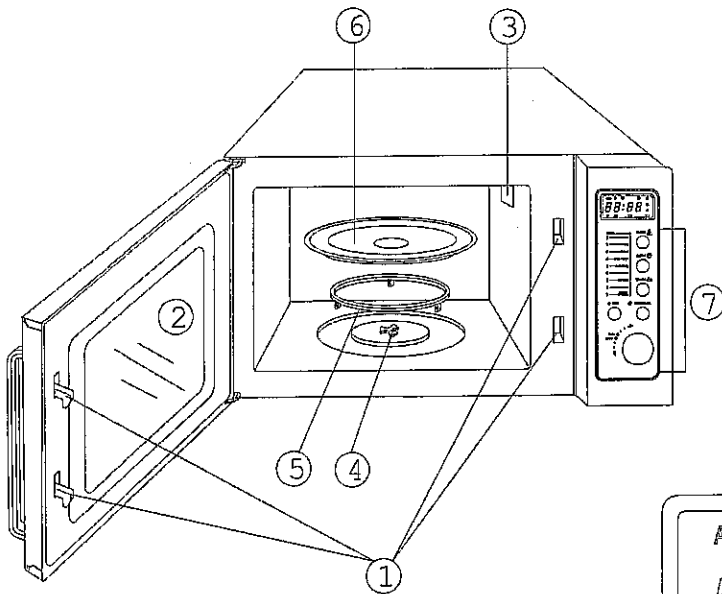
1. The ideal material for a microwave utensil is transparent to microwave, it allows energy to pass through the container and heat the food.
2. Microwave can not penetrate metal, so metal utensils or dishes with metallic trim should not be use.
3. Do not use recycled paper products when microwave cooking, as they may contain small metal fragments which may cause sparks and/or fires.
4. Round /oval dishes rather than square/oblong ones are recommend, as food in corners tends to overcook.

The list below is a general guide to help you select the correct utensils.

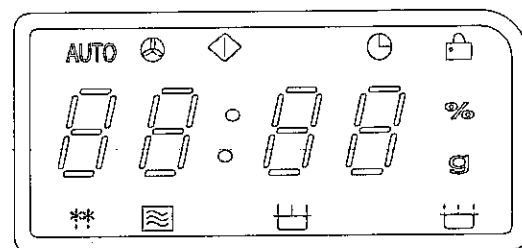
Cookware	Microwave Cooking
Heat-Resistant Glass	Yes
Non Heat-Resistant Glass	No
Heat-Resistant Ceramics	Yes
Microwave-Safe Plastic Dish	Yes
Kitchen Paper	Yes
Metal Tray	No
Metal Rack	No
Aluminum Foil & Foil Containers	Yes

PART

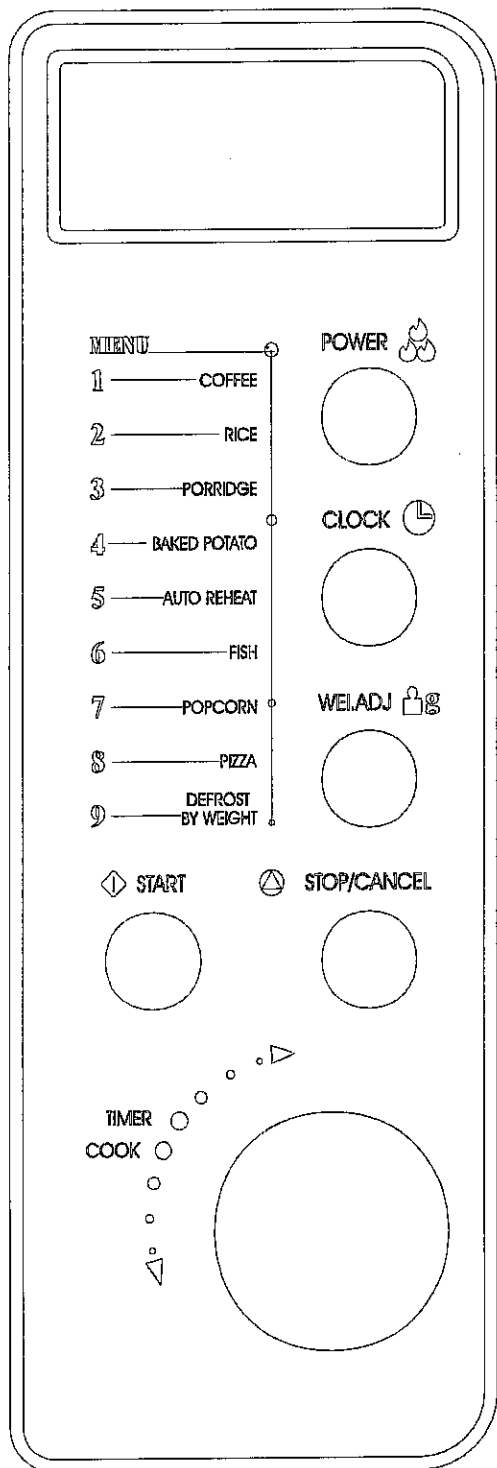
NAMES



PANEL



(Also see following pages for more detail.)



DISPLAY

Cooking time, power, indicators and present time are displayed.

POWER

Use to set power level

CLOCK

Press to set the clock.

WEI.ADJ

Press to set the amount of food.

START

Press to start cooking.

STOP /CANCEL

Press to stop or cancel cooking

TIMER & COOK (dial)

Rotate to set cooking time.

Rotate to select automatic cooking menu.

HOW TO SET THE OVEN CONTROLS

Each time a button is pressed, a beep will sound to acknowledge the press.

SETTING THE CLOCK

When the oven is first plugged in, the display shows "1:01", this is a 12 hour clock. To check the time of day while the oven is operating, press the CLOCK button, then the time will be displayed for 5 seconds on the display.

FOR EXAMPLE: Suppose you want to set the correct time of day 8:30 (A.M. or P.M.).

1. Press STOP/CANCEL button.
2. Press CLOCK button.
3. Rotate TIMER dial clockwise until the correct hour is displayed (8).
4. Press CLOCK button.
5. Rotate Timer dial clockwise until the correct minute is displayed (30).
6. Press CLOCK button, clock reckons from 8:30.

MICROWAVE POWER COOKING

The longest cooking time is 60 minutes.

Select power level by pressing the POWER button.

PRESS POWER BUTTON	DISPLAY	POWER OUTPUT
once	100%	100%
twice	80%	80%
3 times	60%	60%
4 times	40%	40%
5 times	20%	20%
6 times	0%	0(TIMER)

FOR EXAMPLE: Suppose you want to cook for 1 minute at 60%.

1. Press STOP/CANCEL button.
2. Press POWER button three times.
3. Rotate TIMER dial clockwise until the correct minute is displayed (1:00).
4. Press START button.

MINUTE TIMER

FOR EXAMPLE: Suppose you want to set timer for 3 minutes.

1. Press STOP/CANCEL button.
2. Press POWER button 6 times
3. Rotate TIMER dial clockwise until the correct minute is displayed (3:00).
4. Press START button.

EXPRESS COOKING

The oven will operate at HIGH power(100% power output) for EXPRESS cooking program. With each press of the START button you can program the oven for :

TIME	PRESS START BUTTON
0:30	once
1:00	twice
1:30	3 times
2:00	4 times
2:30	5 times
3:30	6 times
4:30	7 times
5:30	8 times
6:30	9 times
7:30	10 times
8:30	11 times
9:30	12 times
10:30	13 times
11:30	14 times
12:00	15 times

AUTOMATIC COOKING & DEFROST BY WEIGHT

The oven automatically works out the correct cooking mode and cooking time.

You can choose from 8 AUTO COOKING/ DEFROSTING menus.

The code of AUTO COOKING menu is listed in the chart below:

MENU	CODE
COFFEE	1
RICE	2
PORRIDGE	3
BAKED POTATO	4
AUTO REHEAT	5
FISH	6
POPCORN	7
PIZZA	8

COFFEE

1. Rotate COOK dial clockwise until " AUTO " and " 1 " are displayed.
2. Press WEI.ADJ button to set the amount. Refer to the chart below for cooking guide.

AMOUNT	PRESS WEI.ADJ BUTTON	COOKING TIME
1	ONCE	1:30
2	TWICE	3:00
3	3 TIMES	4:30

3. Press START button.

RICE

1. Rotate COOK dial clockwise until “ AUTO ” and “ 2 ” are displayed.
2. Press WEI.ADJ button to set the weight of rice.

Refer to the chart below for cooking guide.

WEIGHT	PRESS WEI.ADJ BUTTON	COOKING TIME
80g	ONCE	20:42
100g	TWICE	23:02
120g	3 TIMES	25:22

3. Press START button.

PORRIDGE

1. Rotate COOK dial clockwise until “ AUTO ” and “ 3 ” are displayed.
2. Press WEI.ADJ button to set the weight of porridge.

Refer to the chart below for cooking guide.

WEIGHT	PRESS WEI.ADJ BUTTON	COOKING TIME
100g	ONCE	18:00
200g	TWICE	22:00
300g	3 TIMES	26:00

3. Press START button.

BAKED POTATO

1. Rotate COOK dial clockwise until “ AUTO ” and “ 4 ” are displayed.
2. Press WEI.ADJ button to set the weight of potato.

Refer to the chart below for cooking guide.

WEIGHT	PRESS WEI.ADJ BUTTON	COOKING TIME
150g	ONCE	3:00
300g	TWICE	6:30

450g	3 TIMES	10:00
600g	4 TIMES	13:30

3. Press START button.

AUTO REHEAT

1. Rotate COOK dial clockwise until “ AUTO ” and “ 5 ” are displayed.
2. Press WEI.ADJ button to set the weight of food.

Refer to the chart below for cooking guide.

WEIGHT	PRESS WEI.ADJ BUTTON	COOKING TIME
70g	ONCE	:20
140g	TWICE	:30
210g	3 TIMES	:50
280g	4 TIMES	1:00
320g	5 TIMES	1:20
350g	6 TIMES	1:30
380g	7 TIMES	1:40
420g	8 TIMES	2:00
450g	9 TIMES	2:10

3. Press START button.

FISH

1. Rotate COOK dial clockwise until “ AUTO ” and “ 6 ” are displayed.
2. Press WEI.ADJ button to set the weight of fish.

Refer to the chart below for cooking guide.

WEIGHT	PRESS WEI.ADJ BUTTON	COOKING TIME
50g	ONCE	1:30
100g	TWICE	3:00
150g	3 TIMES	3:30
200g	4 TIMES	4:00
250g	5 TIMES	5:00
300g	6 TIMES	5:30
350g	7 TIMES	5:40

400g	8 TIMES	6:00
450g	9 TIMES	6:30

3. Press START button.

POPCORN

1. Rotate COOK dial clockwise until "AUTO" and "7" are displayed.
2. Press WEI.ADJ button to set the weight of prepackaged popcorn.

Refer to the chart below for cooking guide.

WEIGHT	PRESS WEI.ADJ BUTTON	COOKING TIME
50g	ONCE	2:00
100g	TWICE	2:15

3. Press START button.

PIZZA

1. Rotate COOK dial clockwise until "AUTO" and "8" are displayed.
2. Press WEI.ADJ button to set the amount of pizza.

Refer to the chart below for cooking guide.

AMOUNT	PRESS WEI.ADJ BUTTON	COOKING TIME
1	ONCE	1:00


CLEANING AND CARE

1. Turn off the oven and remove the power plug from the wall socket before cleaning.
2. Keep the inside of the oven clean. When food splatters or spilled liquids adhere to oven walls, wipe with a damp cloth. Mild detergent may be used if the oven gets very dirty. Avoid the use of spray and other harsh cleaners as they may stain, streak or dull the door surface.
3. The outside surfaces should be cleaned with a damp cloth. To prevent damage to the operating parts inside the oven, water should not be allowed to seep into the ventilation openings.
4. Wipe the window on both sides with a damp cloth to remove any spills or splatters.
5. Do not allow the control panel to become wet. Clean with a soft, damp cloth. When cleaning the control panel, leave oven door open to prevent oven from accidentally

2	TWICE	5:00
---	-------	------

3. Press START button.

DEFROST BY WEIGHT

1. Rotate COOK dial clockwise until "AUTO", " ", , "g", " " are displayed.
2. R*** COOK dial clockwise to set the weight of frozen food. The weight of DEFROST BY WEIGHT ranges from 100g to 2700g.
3. Press START button.

NOTE: If you wish to stop the oven during cooking process press the STOP/CANCEL button or open the oven door. To start the oven, close the door and press the START button. If you wish to cancel the cooking program, press the STOP/CANCEL button twice.

CHILD LOCK

To set the CHILD LOCK: Press and hold the STOP/CANCEL button for 3 seconds, a beep sounds and LOCK indicator lights.

To cancel the CHILD LOCK: Press and hold the STOP/CANCEL button for 3 seconds, a beep sounds and LOCK indicator goes off.

6. turning on.
6. If steam accumulates inside or around the outside of the oven door, wipe with a soft cloth. This may occur when the microwave oven is operated under high humidity conditions, this is normal.
7. It is occasionally necessary to remove the glass tray for cleaning. Wash the tray in warm sudsy water or in a dishwasher.
8. The roller ring and oven floor should be cleaned regularly to avoid excessive noise. Simply wipe the bottom surface of the oven with mild detergent. The roller ring may be washed in mild sudsy water or dishwasher. When removing the roller ring from cavity floor for cleaning, be sure to replace in the proper position.
9. Remove odors from your oven by combining a cup of water with the juice and skin of one lemon in a deep microwaveable

bowl, microwave for 5 minutes. Wipe thoroughly and dry with a soft cloth.

10. When it becomes necessary to replace the oven light, please consult a dealer to have it replaced.