



# INSTRUCTION MANUAL

# EM-S7720B/V

## Microwave Oven



1. READ these instructions carefully before installing and operating the oven. Keep them for further reference.
  2. Record in the space below the SERIAL NO. found on the nameplate on your oven and retain this information for future reference.
- SERIAL NO.:

## **PRECAUTIONS TO AVOID POSSIBLE EXPOSURE TO EXCESSIVE MICROWAVE ENERGY**

1. Do not attempt to operate this oven with the door open since open door operation can result in harmful exposure to microwave energy. It is important not to defeat or tamper with the safety interlocks.
2. Do not place any object between the oven front face and the door or allow soil or cleaner residue to accumulate on sealing surfaces.
3. Do not operate the oven if it is damaged. It is particularly important that the oven door close properly and that there is no damage to the
  - a. Door (bent),
  - b. Hinges and latches (broken or loosened),
  - c. Door seals and sealing surfaces.
4. The oven should not be adjusted or repaired by anyone except properly qualified service personnel.

## **SPECIFICATIONS**

Model:	EM-S8720B/V
Power Source:	230-240V/50Hz
Power Consumption:	1500W
Output Microwave:	1000W 2450MHz
Outside Dimensions:( W×D×H)	539×487×300mm
Oven Capacity:	34L
Turntable Diameter:	315mm
Net Weight:	Approx.17.3kg

# CONTENTS

PRECAUTIONS TO AVOID POSSIBLE EXPOSURE TO EXCESSIVE MICROWAVE ENERGY -----	1
SPECIFICATIONS -----	1
IMPORTANT SAFETY INSTRUCTIONS -----	2
INSTALLATION -----	3
RADIO INTERFERENCE -----	3
MICROWAVE COOKING PRINCIPLES -----	3
BEFORE YOU CALL FOR SERVICE -----	4
UTENSILS GUIDE -----	5
PART NAMES -----	5
CONTROL PANEL -----	6
HOW TO SET THE OVEN CONTROLS -----	7
Setting Clock Time -----	7
Microwave Cooking -----	7
Quick Start -----	7
Speed Defrost -----	7
Auto Defrost -----	8
Multistage Cooking -----	8
Child Lock -----	8
Auto Cook -----	8
CLEANING AND CARE -----	10

# IMPORTANT SAFETY INSTRUCTIONS

When using electrical appliance basic safety precautions should be followed, including the following:

**WARNING:** To reduce the risk of burns, electric shock, fire, injury to persons or exposure to excessive microwave energy:

1. Plug into a wall receptacle that is properly installed and grounded.
2. Read all instructions before using the appliance.
3. Use this appliance only for its intended use as described in this manual. Do not use corrosive chemicals or vapors in this appliance. This type of oven is specifically designed to heat, cook or dry food. It is not designed for industrial or laboratory use.
4. Do not operate the oven when empty.
5. Do not operate this appliance if it has a damaged cord or plug, if it is not working properly or if it has been damaged or dropped. If the supply cord is damaged, it must be replaced by the manufacturer or its service agent or a similarly qualified person in order to avoid a hazard.
6. **WARNING:** Only allow children to use the oven without supervision when adequate instructions have been given so that the child is able to use the oven in a safe way and understands the hazards of improper use.
7. To reduce the risk of fire in the oven cavity:
  - a. When heating food in plastic or paper container, keep an eye on the oven due to the possibility of ignition.
  - b. Remove wire twist-ties from paper or plastic bags before placing bag in oven.
  - c. If smoke is observed, switch off or unplug the appliance and keep the door closed in order to stifle any flames.
  - d. Do not use the cavity for storage purposes. Do not leave paper products, cooking utensils or food in the cavity when not in use.
8. **WARNING:** Liquid or other food must not be heated in sealed containers since they are liable to explode.
9. Microwave heating of beverage can result in delayed eruptive boiling, therefore care has to be taken when handle the container.
10. Do not fry food in the oven. Hot oil can damage oven parts and utensils and even result in skin burns.
11. Eggs in their shell and whole hard-boiled eggs should not be heated in microwave ovens since they may explode even after microwave heating has ended.
12. Pierce foods with heavy skins such as potatoes, whole squashes, apples and chestnuts before cooking.
13. The contents of feeding bottles and baby jars should be stirred or shaken and the temperature should be checked before serving in order to avoid burns.
14. Cooking utensils may become hot because of heat transferred from the heated food. Potholders may be needed to handle the utensil.
15. Utensils should be checked to ensure that they are suitable for use in microwave oven.
16. **WARNING:** It is hazardous for anyone other than a trained person to carry out any service or repair operation which involves the removal of any cover which gives protection against exposure to microwave energy.
17. This product is a Group 2 Class B ISM equipment. The definition of Group 2 which contains all ISM (Industrial, Scientific and Medical) equipment in which radio-frequency energy is intentionally generated and/or used in the form of electromagnetic radiation for the treatment of material, and spark erosion equipment. For Class B equipment is equipment suitable for use in domestic establishments and in establishments directly connected to a low voltage power supply network which supplies buildings used for domestic purpose.
18. This appliance is not intended for use by persons (including children) with reduced physical, sensory or mental capabilities, or lack of experience and knowledge, unless they have been given supervision or instruction concerning use of the appliance by a person responsible for their safety.
19. Children should be supervised to ensure that they do not play with the appliance.
20. Operating the microwave oven without food in it, can result in overheating and damage to the microwave oven unit. Please do not operate the unit without any food or beverage in it.

## INSTALLATION

1. Make sure that all the packing materials are removed from the inside of the door.
2. **WARNING:** Check the oven for any damage, such as misaligned or bent door, damaged door seals and sealing surface, broken or loose door hinges and latches and dents inside the cavity or on the door. If there is any damage, do not operate the oven and contact qualified service personnel.
3. This microwave oven must be placed on a flat, stable surface to hold its weight and the heaviest food likely to be cooked in the oven.
4. Do not place the oven where heat, moisture, or high humidity are generated, or near combustible materials.
5. For correct operation, the oven must have sufficient airflow. Allow 20cm of space above the oven, 10cm at back and 5cm at both sides. Do not cover or block any openings on the appliance. Do not remove feet.
6. Do not operate the oven without glass tray, roller support, and shaft in their proper positions.
7. Make sure that the power supply cord is undamaged and does not run under the oven or over any hot or sharp surface.
8. The socket must be readily accessible so that it can be easily unplugged in an emergency.
9. Do not use the oven outdoors.
10. Please be advised that this Microwave oven is not installed or used within an enclosed cabinet.

## RADIO INTERFERENCE

Operation of the microwave oven can cause interference to your radio, TV, or similar equipment.

When there is interference, it may be reduced or eliminated by taking the following measures:

1. Clean door and sealing surface of the oven.
2. Reorient the receiving antenna of radio or television.
3. Relocate the microwave oven with respect to the receiver.
4. Move the microwave oven away from the receiver.
5. Plug the microwave oven into a different outlet so that microwave oven and receiver are on different branch circuits.

## MICROWAVE COOKING PRINCIPLES

1. Arrange food carefully. Place thickest areas towards outside of dish.
2. Watch cooking time. Cook for the shortest amount of time indicated and add more as needed. Food severely overcooked can smoke or ignite.
3. Cover foods while cooking. Covers prevent spattering and help foods to cook evenly.
4. Turn foods over once during microwaving to speed cooking of such foods as chicken and hamburgers. Large items like roasts must be turned over at least once.
5. Rearrange foods such as meatballs halfway through cooking both from top to bottom and from the center of the dish to the outside.

## **BEFORE YOU CALL FOR SERVICE**

If the oven fails to operate:

1. Check to ensure that the oven is plugged in securely. If it is not, remove the plug from the outlet, wait 10 seconds, and plug it in again securely.
2. Check for a blown circuit fuse or a tripped main circuit breaker. If these seem to be operating properly, test the outlet with another appliance.
3. Check to ensure that the control panel is programmed correctly and the timer is set.
4. Check to ensure that the door is securely closed engaging the door safety lock system. Otherwise, the microwave energy will not flow into the oven.

IF NONE OF THE ABOVE RECTIFIES THE SITUATION, THEN CONTACT A QUALIFIED TECHNICIAN.  
DO NOT TRY TO ADJUST OR REPAIR THE OVEN YOURSELF.

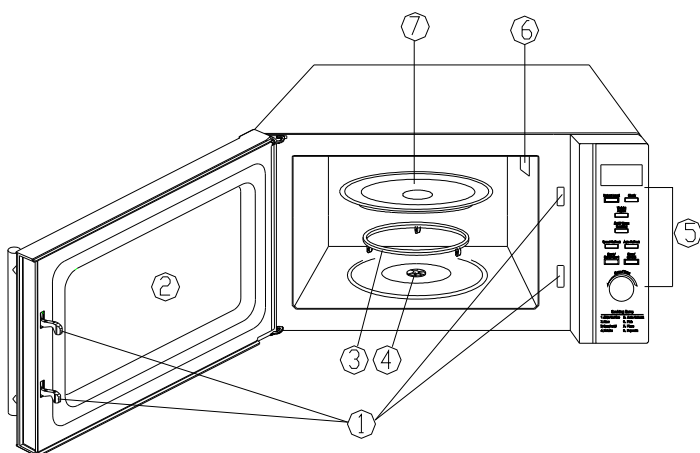
## UTENSILS GUIDE

1. The ideal material for a microwave utensil is transparent to microwave, it allows energy to pass through the container and heat the food.
2. Microwave can not penetrate metal, so metal utensils or dishes with metallic trim should not be used.
3. Do not use recycled paper products when microwave cooking, as they may contain small metal fragments which may cause sparks and/or fires.
4. Round /oval dishes rather than square/oblong ones are recommend, as food in corners tends to overcook.
5. Narrow strips of aluminum foil may be used to prevent overcooking of exposed areas. But be careful don't use too much and keep a distance of 1 inch (2.54cm) between foil and cavity.

The list below is a general guide to help you select the correct utensils.

COOKWARE	MICROWAVE
Heat-Resistant Glass	Yes
Non Heat-Resistant Glass	No
Heat-Resistant Ceramics	Yes
Microwave-Safe Plastic Dish	Yes
Kitchen Paper	Yes
Metal Tray	No
Metal Rack	No
Aluminum Foil & Foil Containers	No

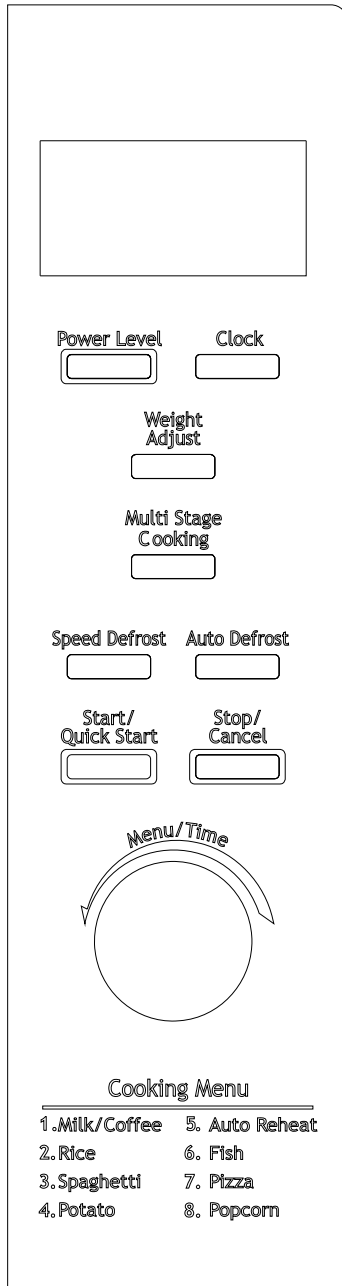
## PART NAMES



1. Door Safety Lock System
2. Oven Window
3. Roller Ring
4. Shaft
5. Control Panel
6. Wave Guide

(Please do not remove the mica plate covering the wave guide)

## CONTROL PANEL



- **MENU ACTION SCREEN**
  - ✘ Cooking time, power, action indicators, and clock time are displayed.
- **POWER LEVEL**
  - ✘ Press a number of times to set microwave cooking power level.
- **CLOCK**
  - ✘ Press to start setting the oven clock and ending by touching it again.
- **WEIGHT ADJUST**
  - ✘ After choosing an auto-cook menu, use it to specify food weights or number of servings.
- **MULTI STAGE COOKING**
  - ✘ Press to set a multistage cooking program.
- **SPEED DEFROST**
  - ✘ Press to set speed defrost program.
- **AUTO DEFROST**
  - ✘ Press to set auto defrost program.
- **START/QUICK START**
  - ✘ Press the button to start a program or set quick start feature.
- **STOP/CANCEL**
  - ✘ Press to cancel setting or reset the oven before setting a cooking program.
  - ✘ Press once to temporarily stop cooking, or twice to cancel cooking altogether.
  - ✘ It is also used for setting child lock.
- **MENU/TIME**
  - ✘ Turn the dial to input cooking time, or cooking menu.



# HOW TO SET THE OVEN CONTROLS

## SIGNALS DURING OVEN SETTINGS

ONE SIGNAL: Oven accepts the entry.

TWO SIGNALS: Oven does not accept the entry, please check and try again.

## SETTING CLOCK TIME

The oven is equipped with a digital clock.

You can choose to set the clock time in 24 or 12-hour cycle by pressing the CLOCK button in waiting mode.

Suppose you want to set the oven clock time to 8:30.

1. Press CLOCK button once or twice.
2. Turn MENU/TIME to set 8 o'clock.
3. Press CLOCK button.
4. Turn MENU/TIME to set 30 min.
5. Press CLOCK to confirm the setting.

**Note:** You can check the clock time during cooking by pressing the CLOCK button.

## MICROWAVE COOKING

The longest cooking time is 95 minutes. You can select the power level by pressing the POWER LEVEL button.

Press the button	Power Level
Once	100%
Twice	90%
3 times	80%
4 times	70%
5 times	60%
6 times	50%
7 times	40%
8 times	30%
9 times	20%
10 times	10%
11 times	0%

For example, suppose you want to cook for 1

minute at 60% of microwave power.

1. Press STOP/CANCEL button to reset the oven.
2. Press POWER LEVEL repeatedly to select cooking power.
3. Turn MENU/TIME to 1:00.
4. Press START/QUICK START.

**Note:** After all time elapsed, the buzzer will beep every two minutes with "End" in display, press any button or open the oven door to clear "End" before starting another cooking function.

## QUICK START

Use this feature to program the oven to microwave food at 100% power conveniently. The longest cooking time is 10 minutes.

In standby mode, press START/QUICK START in quick succession to set the cooking time, the oven will start automatically at full power.

## SPEED DEFROST

You can set a defrost program based on the time you entered. The range of defrosting time is 10s~45 minutes.

Suppose you want to defrost shrimp for 20 minutes.

1. Place the shrimp to be defrosted into the oven and close the door.
2. Press SPEED DEFROST button once.
3. Turn MENU/TIME to set defrosting time.
4. Press START/QUICK START.

**Note:**

During defrosting process, the system will pause to remind user to turn food over, after

that, press START/QUICK START to resume.

#### AUTO DEFROST

---

The oven could be used to defrost food based on the weight you entered. The defrosting time and power level are automatically set once the weight is programmed. The weight varies from 100g to 1800g.

Suppose you want to defrost 600g of shrimp.

1. Place the shrimp to be defrosted into the oven and close the door.
2. Press AUTO DEFROST button once.
3. Press WEIGHT ADJUST to select weight of 600g.
4. Press START/QUICK START.

#### **Note:**

During defrosting process, the system will pause to remind user to turn food over, after that, press START/QUICK START to resume.

#### MULTISTAGE COOKING

---

For best results, some recipes call for one cooking power for a certain length of time, and another cooking power for another length of time. The lower the cook power, the slower the cooking. Your oven can be set to change from one to another automatically, for up to 2 cycles.

Suppose you want to set the following cooking program.

#### AUTO COOK

---

For food or the following cooking mode, it is not necessary to program the duration and the cooking power. It is sufficient to indicate the type of food that you wish to cook as well as the weight of this food.

You may need to turn food over during cooking time to obtain uniform cooking.

1. In standby mode, turn MENU/TIME dial in anti-clockwise direction once and rotate it until the display shows your desired menu code.
2. Press WEIGHT ADJUST button repeatedly to indicate food weight or number of servings.
3. Press START/QUICK START to start.

#### Speed Defrost



#### Microwave Cooking

1. Input a speed defrosting program.
  - a. Press SPEED DEFROST button once.
  - b. Turn MENU/TIME dial to set cooking time.
2. Press MULTI STAGE COOKING button.
3. Input a microwave cooking program.
  - a. Press POWER LEVEL button to set the power level.
  - b. Turn MENU/TIME to the certain cooking time.
4. Press START/QUICK START button.

#### **Note:**

Auto Cook and Auto Defrost can not be set in Multi-stage cooking program; Speed Defrost can be only set in the first stage.

#### CHILD LOCK

---

Use to prevent unsupervised operation of the oven by little children. The Child Lock indicator will show up on display screen, and the oven can not be operated while the Child Lock is set.

To set: In standby mode, press and hold the STOP/CANCEL button for 3 seconds, a beep sounds and lock indicator lights.

To cancel: Press and hold the STOP/CANCEL button for 3 seconds until lock indicator light on display turns off.

### Cooking Menu

MENU CODE	FOOD	NOTES
01	Milk/Coffee (200ml/1-3cup)	1. For milk/coffee and potato, parameters on display are not weight but number of servings. 2. There is only one weight choice for popcorn. 3. The result of Auto Cook depends on factors such as fluctuation of voltage, the shape and size of food, your personal preference as to the doneness of certain foods and even how well you happen to place food in the oven. If you find the result at any rate not quite satisfactory, please adjust the cooking time a little bit accordingly.
02	Rice (150-600g)	
03	Spaghetti (100-300g)	
04	Potato (230g/1-3unit)	
05	Auto reheat (200-800g)	
06	Fish (200-600g)	
07	Pizza (150-450g)	
08	Popcorn (99g)	

## CLEANING AND CARE

1. Turn off the oven and remove the power plug from the wall socket before cleaning.
2. Keep the inside of the oven clean. When food splatters or spilled liquids adhere to oven walls, wipe with a damp cloth. Mild detergent may be used if the oven gets very dirty. Avoid the use of spray and other harsh cleaners as they may stain, streak or dull the door surface.
3. The outside surfaces should be cleaned with a damp cloth. To prevent damage to the operating parts inside the oven, water should not be allowed to seep into the ventilation openings.
4. Wipe the door and window on both sides, the door seals and adjacent parts frequently with a damp cloth to remove any spills or splatters. Do not use abrasive cleaner.
5. Do not allow the control panel to become wet. Clean with a soft, damp cloth. When cleaning the control panel, leave oven door open to prevent oven from accidentally turning on.
6. If steam accumulates inside or around the outside of the oven door, wipe with a soft cloth. This may occur when the microwave oven is operated under high humidity condition. And it is normal.
7. It is occasionally necessary to remove the glass tray for cleaning. Wash the tray in warm sudsy water or in a dishwasher.
8. The roller ring and oven floor should be cleaned regularly to avoid excessive noise. Simply wipe the bottom surface of the oven with mild detergent. The roller ring may be washed in mild sudsy water or dishwasher. When removing the roller ring from cavity floor for cleaning, be sure to replace in the proper position.
9. Remove odors from your oven by combining a cup of water with the juice and skin of one lemon in a deep microwaveable bowl, microwave for 5 minutes. Wipe thoroughly and dry with a soft cloth.
10. When it becomes necessary to replace the oven light, please consult a dealer to have it replaced.
11. The oven should be cleaned regularly and any food deposits removed. Failure to maintain the oven in a clean condition could lead to deterioration of the surface that could adversely affect the life of the appliance and possibly result in a hazardous.
12. Please do not dispose this appliance into the domestic rubbish bin; it should be disposed to the particular disposal center provided by the municipalities.

**SANYO**  
SANYO Electric Co., Ltd.