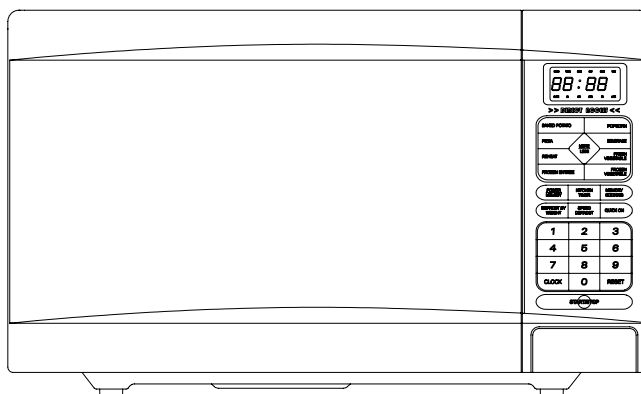




Microwave Oven

This owner's guide book is for the following 1000 watts microwave oven models:

EM-S8597V/W



1. READ these instructions carefully before installing and operating the oven. Keep them for further reference.
2. Record in the space below the SERIAL NO. found on the nameplate on your oven and retain this information for future reference.

SERIAL NO.:

CONTENTS

Precautions to Avoid Possible Exposure to Excessive Microwave Energy.....1	Specifications.....1	Before You Call for Service.....2	Installation.....2	Grounding Instructions.....2	Radio Interference.....3	Important Safety Instructions3	Microwave Cooking Principles.....4	Utensils Guide.....5	Part Names.....5	Control Panel.....6	Operation Instructions.....7	Cleaning and Care.....10
--	----------------------	-----------------------------------	--------------------	------------------------------	--------------------------	--------------------------------------	------------------------------------	----------------------	------------------	---------------------	------------------------------	--------------------------

PRECAUTIONS TO AVOID POSSIBLE EXPOSURE TO EXCESSIVE MICROWAVE ENERGY

- (a) Do not attempt to operate this oven with the door open since open-door operation can result in harmful exposure to microwave energy. It is important not to defeat or tamper with the safety interlocks.
- (b) Do not place any object between the oven front face and the door or allow soil or cleaner residue to accumulate on sealing surfaces.
- (c) Do not operate the oven if it is damaged. It is particularly important that the oven door close properly and that there is no damage to the :
- ① Door (bent),
 - ② Hinges and latches (broken or loosened),
 - ③ Door seals and sealing surfaces.
- (d) The oven should not be adjusted or repaired by anyone except properly qualified service personnel.

SPECIFICATIONS

Power Consumption:	230~240V , 50Hz, 1500W
Output:	1000W
Operation Frequency:	2450MHz
Outside Dimensions:	300mm(H)×539mm(W)×450mm(D)
Oven Cavity Dimensions:	240mm(H)×376mm(W)×404mm(D)
Oven Capacity:	34Litres
Cooking Uniformity:	Turntable System{ Φ 325mm }
Net Weight:	Approx.17.3kg
The data above may be further confirmed or updated.	

BEFORE YOU CALL

FOR SERVICE

If the oven fails to operate:

A) Check to ensure that the oven is plugged in securely. If it is not, remove the plug from the outlet, wait 10 seconds and plug it in again securely.

B) Check for a blown circuit fuse or a tripped main circuit breaker. If these seem to be operating properly, test the outlet with

another appliance.

C) Check to ensure that the control panel is programmed correctly and the timer is set.

D) Check to ensure that the door is securely closed engaging the door safety lock system. Otherwise, the microwave energy will not flow into the oven.

IF NONE OF THE ABOVE RECTIFY THE SITUATION, THEN CONTACT A QUALIFIED TECHNICIAN. DO NOT TRY TO ADJUST OR REPAIR THE OVEN YOURSELF.

INSTALLATION

1. Make sure that all the packing materials are removed from the inside of the door.
2. **WARNING:** Check the oven for any damage, such as misaligned or bent door, damaged door seals and sealing surface, broken or loose door hinges and latches and dents inside the cavity or on the door. If there is any damage, do not operate the oven and contact a qualified service personnel.
3. This microwave oven must be placed on a flat, stable surface to hold its weight and the heaviest food likely to be cooked in the oven.
4. Do not place the oven where heat, moisture or high humidity are generated, or near combustible materials.
5. For correct operation, the oven must have sufficient airflow. Allow 20cm of space above the oven, 10cm at back and 5cm at both sides. Do not cover or block any openings on the appliance. Do not remove feet.
6. Do not operate the oven without glass tray, roller support, and shaft in their proper positions.
7. Make sure that the power supply cord is undamaged and does not run under the oven or over any hot or sharp surface.
8. The socket must be readily accessible so that it can be easily unplugged in an emergency.
9. Do not use the oven outdoors.
10. Please be advised that these Sanyo Microwave Ovens are not to be installed or used within an enclosed cabinet.

GROUNDING INSTRUCTIONS

This appliance must be grounded. This oven is equipped with a cord having a grounding wire with a grounding plug. It must be plugged into a wall receptacle that is properly installed and grounded. In the event of an electrical short circuit, grounding reduces risk of electric shock by providing an escape wire for the electric current. It is recommended that a separate circuit serving only the oven be provided. Using a high voltage is dangerous and may result in a fire or other accident causing oven damage.

WARNING: Improper use of the grounding plug can result in a risk of electric shock.

Notes: 1.If you have any questions about the grounding or electrical instructions, consult a qualified electrician or service person.

2. Neither the manufacturer nor the dealer can accept any liability for damage to the oven or personal injury resulting from failure to observe the electrical connection procedures.

The wires in this mains cable are colored in accordance with the following code:

Green and Yellow = EARTH

Blue = NEUTRAL

Brown = LIVE

RADIO INTERFERENCE

1. Operation of the microwave oven can cause interference to your radio, TV or similar equipment.
2. When there is interference, it may be reduced or eliminated by taking the following measures:
 - a. Clean door and sealing surface of the oven.
 - b. Reorient the receiving antenna of radio or television.
 - c. Relocate the microwave oven with respect to the receiver.
 - d. Move the microwave oven away from the receiver.
 - e. Plug the microwave oven into a different outlet so that microwave oven and receiver are on different branch circuits.

IMPORTANT SAFETY INSTRUCTIONS

When using electrical appliance basic safety precautions should be followed, including the following:

WARNING: To reduce the risk of burns, electric shock, fire, injury to persons or exposure to excessive microwave energy:

1. Read all instructions before using the appliance.
2. Use this appliance only for its intended use as described in this manual. Do not use corrosive chemicals or vapors in this appliance. This type of oven is specifically designed to heat, cook or dry food. It is not designed for industrial or laboratory use.
3. Operating the microwave oven without food in it, can result in overheating and damage to the microwave oven unit. Please do not to operate the unit without any food or beverage in it.
4. Do not operate this appliance if it has a damaged

- cord or plug, if it is not working properly or if it has been damaged or dropped. If the supply cord is damaged, it must be replaced by the manufacturer or its service agent or a similarly qualified person in order to avoid a hazard
5. **WARNING:** Only allow children to use the oven without supervision when adequate instructions have been given so that the child is able to use the oven in a safe way and understands the hazards of improper use. Children should be supervised to ensure that they do not play with the appliance.
 6. To reduce the risk of fire in the oven cavity:
 - a. When heating food in plastic or paper container, keep an eye on the oven due to the possibility of ignition.
 - b. Remove wire twist-ties from paper or plastic bags before placing bag in oven.
 - c. **If smoke is observed, switch off or unplug the appliance and keep the door closed in order to stifle any flames.**
 - d. Do not use the cavity for storage purposes. Do not leave paper products, cooking utensils or food in the cavity when not in use.
 7. **WARNING:** Liquid or other food must not be heated in sealed containers since they are liable to explode.
 8. Microwave heating of beverage can result in delayed eruptive boiling, therefore care has to be taken when handle the container.
 9. Do not fry food in the oven. Hot oil can damage oven parts and utensils and even result in skin burns.
 10. Eggs in their shell and whole hard-boiled eggs should not be heated in microwave ovens since they may explode even after microwave heating has ended.
 11. Pierce foods with heavy skins such as potatoes, whole squashes, apples and chestnuts before cooking.
 12. The contents of feeding bottles and baby jars should be stirred or shaken and the temperature should be checked before serving in order to avoid burns.
 13. Cooking utensils may become hot because of heat transferred from the heated food. Potholders may be needed to handle the utensil.
 14. Utensils should be checked to ensure that they are suitable for use in microwave oven.
 15. **WARNING:** It is hazardous for anyone other than a trained person to carry out any service or repair operation which involves the removal of any cover which gives protection against exposure to microwave energy.
 16. This product is a Group 2 Class B ISM equipment. The definition of Group 2 which contains all ISM (Industrial, Scientific and Medical) equipment in which radio-frequency energy is intentionally generated and/or used in the form of electromagnetic radiation for the treatment of material, and spark erosion equipment. For Class B equipment is equipment suitable for use in domestic establishments and in establishments directly connected to a low voltage power supply network which supplies buildings used for domestic purpose.
 17. This appliance is not intended for use by persons (including children) with reduced physical, sensory or mental capabilities, or lack of experience and knowledge, unless they have been

given supervision or instruction concerning use of safety
the appliance by a person responsible for their

MICROWAVE COOKING PRINCIPLES

1. Arrange food carefully. Place thickest areas towards outside of dish.
2. Watch cooking time. Cook for the shortest amount of time indicated and add more as needed. Food severely overcooked can smoke or ignite.
3. Cover foods while cooking. Covers prevent s
4. pattering and help foods to cook evenly.
5. Turn foods over once during microwaving to speed cooking of such foods as chicken and hamburgers. Large items like roasts must be turned over at least once.
6. Rearrange foods such as meatballs halfway through cooking both from top to bottom and from the center of the dish to the outside.

UTENSILS GUIDE

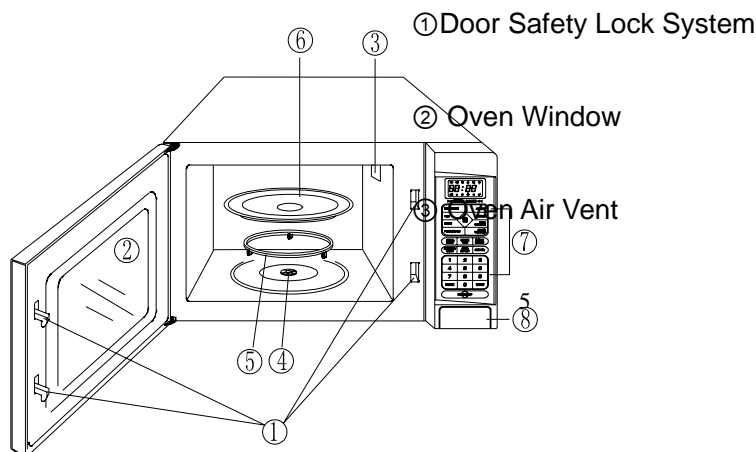
1. The ideal material for a microwave utensil is transparent to microwave, it allows energy to pass through the container and heat the food.
2. Microwave can not penetrate metal, so metal utensils or dishes with metallic trim should not be use.
3. Do not use recycled paper products when microwave cooking, as they may contain small metal fragments which may cause sparks and/or fires.
4. Round /oval dishes rather than square/oblong ones are recommend, as food in corners tends to overcook.

The list below is a general guide to help you select the correct utensils.

Cookware	Microwave Cooking
Heat-Resistant Glass	Yes
Non Heat-Resistant Glass	No
Heat-Resistant Ceramics	Yes
Microwave-Safe Plastic Dish	Yes
Kitchen Paper	Yes
Metal Tray	No
Metal Rack	No
Aluminum Foil & Foil Containers	Yes

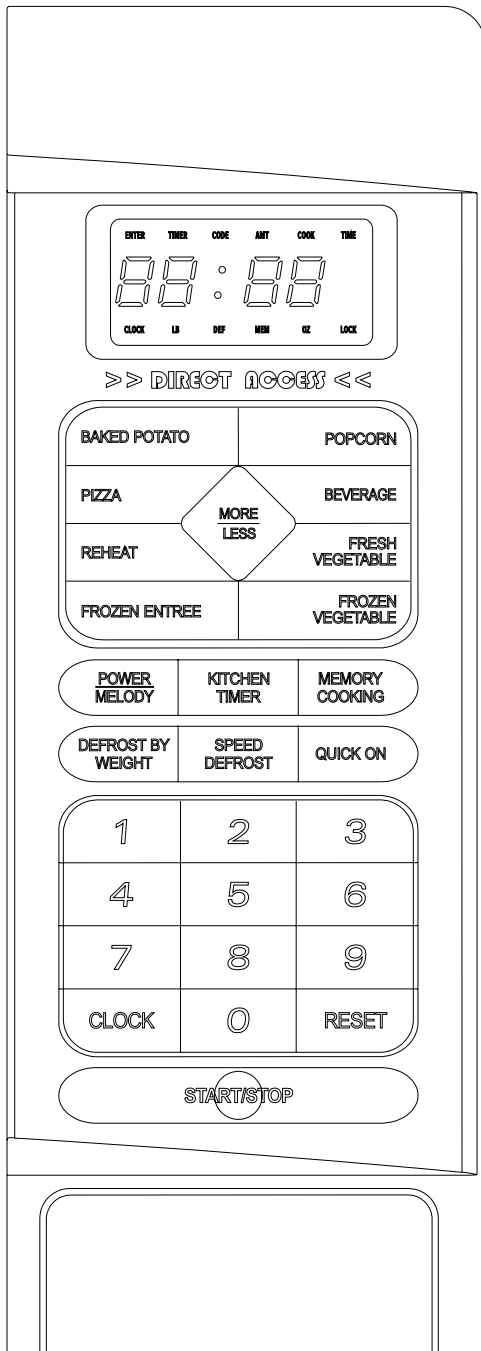
PART

NAMES



- ④ Shaft
- ⑤ Turntable roller
- ⑥ Glass Tray
- ⑦ Control Panel
- ⑧ Door Release Button

CONTROL PANEL



(Also see following pages for more detail.)

DISPLAY

Cooking time, power, indicators and present time are displayed.

MENU COOKING:

BAKED POTATO BEVERAGE

POPCORN PIZZA

FROZEN ENTREE REHEAT

FRESH VEGETABLES

FROZEN VEGETABLES

Allows you to reheat or cook food automatically without entering power level

or time.

POWER/MELODY

Use to set power level or select the kind of reminder signal.

DEFROST BY WEIGHT

Touch to set the weight of the food to be defrosted; the oven automatically sets the defrosting time and power level.

SPEED DEFROST

Touch to set defrosting time; the oven automatically divides the defrosting time into periods of alternating defrost and stand times by cycling on and off.

MORE/LESS

Adds or reduces the cooking time of menu cooking.

KITCHEN TIMER

You can use the TIMER function independently, even while a cooking program is going on in the oven.

NUMBER PADS (0-9)

Touch to set times, power level, weight or amounts of food.

CLOCK

Touch to set the clock.

RESET

Clears all previous settings if touched before cooking starts.

MEMORY COOKING

Used for setting multistage cooking.

QUICK ON

A time-saving feature, allows you to cooking at 100% power without touching START.

START/STOP

Touch where the START/STOP is to start or stop cooking

OPERATION INSTRUCTIONS

BEEPS DURING OVEN SETTINGS

ONE BEEP: Oven accepts the entry.

TWO BEEPS: Oven does not accept the entry, check and try again.

SETTING THE CLOCK

1. Touch CLOCK pad. This is a 12 hour clock system.
2. Touch CLOCK pad once more. This is a 24 hour clock system.
3. Use the number pads to enter the correct time. If you selected 12 hour clock system, the digital clock allows

you to set from 1:00 to 12:59. If you selected 24 hour clock system, the digital clock allows you to set from 0:00 to 23:59. You must touch at least three numbers to set the clock (one for hour and two for minutes).

4. Touch CLOCK pad. The clock starts counting.

NOTE:

When the oven is first plugged in or when power resumes after a power interruption, the display will show ENTER CLOCK

TIME, if you prefer to not have the clock displayed, touch RESET pad. You can check the clock time while cooking is in progress by touching the CLOCK pad.

SETTING THE OVEN TIMER

1. Touch KITCHEN TIMER pad.
2. Enter the amount of time you want to count down by touching the number pads. Digit time is in minutes and seconds and set left to right. Set one digit (a 5 for 5 seconds) or up to four digits (2405 for 24 minutes, 5 seconds).
3. Touch START/STOP pad.

NOTE:

- Time countdown can be seen in display for 3 seconds before clock or cooking time is returned to display.
- Touch TIMER and then touch RESET to cancel TIMER during timing process.
- A long beep will sound at the end.

TIME COOKING

A. One-stage Cooking

1. Use the number pads to set a cooking time. You can set a cooking time from one second to 99 minutes and 99 seconds. If you are setting a time greater than one minute, you must enter numbers for both minutes and seconds.

For example, to set 20 minutes, enter

2,0,0,0.

If you want to set a power level other than 100% power, touch POWER/MELODY and then use the number pads to enter the power level. You can set the power level from 1 to 9. Touch START/STOP to start cooking.

USE THESE SINGLE DIGIT TO REPRESENT POWER LEVELS

Number pad	% of Power
9	90%
8	80%
7	70%
6	60%
5	50%
4	40%
3	30%
2	20%
1	10%

B. Multistage Cooking

You can program oven for 4 cooking stages. Each stage can be programmed with a different power level and time. To program 2-stage, 3-stage or 4-stage cooking, touch MEMORY COOKING once and repeat the one-stage cooking steps 1 and 2 and touch START/STOP. The oven will automatically proceed to the end of cooking stages.

NOTE:

After stage 1 time has elapsed, one beep sound, signaling the beginning of stage 2. After total time has elapsed, "END" appears in display. Touch RESET pad or open oven door to clear END before starting another cooking function.

SETTING "DEFROST BY WEIGHT"

1. Touch DEFROST BY WEIGHT pad.
2. Enter weight.
3. Touch START/STOP pad.

NOTE:

You may need to turn food over at the middle of cooking time to obtain uniform cooking.

·Weight must be in pounds and ounces.

Ounce weights less than 10 must be preceded by a 0. If label gives weight in pounds only, change the fraction of a pound to ounces using the chart on this page.

·Maximum weight for defrosting is 2700g.

·Turn food over when oven beep twice.

Touch START/STOP pad to resume defrosting.

·After total defrosting time, “END” appears in display.

Touch RESET or open oven door to clear END before starting another cooking function.

SETTING “SPEED DEFROST”

1. Touch SPEED DEFROST pad.
2. Enter desired defrosting time by touching correct number pads. Digital timer sets minutes and seconds from left to right so a single digit can be set (5 for 5 seconds) or up to 4 digits (2405 for 24 minutes 5 seconds).
3. Touch START/STOP pad.

NOTE:

·In the middle of cooking time the system will sound to remind you to turn over the food and pause until you depress the button start to enter into the next defrosting stage, and the system resume

After time has elapsed “END” appears in display. Touch RESET pad or open door to clear END before starting another cooking function.

SETTING “SAFETY LOCK”

The safety lock prevents unsupervised operation by little children.

To set, press and hold RESET pad for 3 seconds, LOCK indicator lights.

To cancel, press and hold RESET pad for 3 seconds, LOCK indicator goes off.

SETTING “QUICK ON”

With each touch of the QUICK ON pad you can program the oven for:

- 30 sec.TOUCH ONCE
- 1 min.....TOUCH TWICE
- 2 min.....TOUCH 3 TIMES
- 3 min.....TOUCH 4 TIMES
- 4 min.....TOUCH 5 TIMES
- 5 min.....TOUCH 6 TIMES
- 6 min.....TOUCH 7 TIMES
- 7 min.....TOUCH 8 TIMES
- 8 min.....TOUCH 9 TIMES
- 9 min.....TOUCH 10 TIMES
- 10 min.....TOUCH 11 TIMES

The oven will operate at 100% power and without touching START.

SETTING “MELODY”

Touch POWER/MELODY before setting a cooking program to select the kind of reminder music, There are five types of reminder music from which to choose one, to remind you of the end of cooking.

TO STOP THE OVEN WHILE THE OVEN IS OPERATING

1. Touch START/STOP pad.

·You can restart the oven by touching

START/STOP pad.

·Touch RESET to erase all instructions.

2. Open the door.

·You can restart the oven by closing the

door and touching START/STOP pad.

NOTE:

·Oven stops operating when door is opened.

ABOUT “MENU COOKING” SETTINGS

“MENU COOKING” allows you to cook or reheat food automatically without entering power level or time. When setting “MENU COOKING”, check visual guide on pad for correct setting. Three “MENU COOKING” settings allow you to cook several amounts of the same food. These include the “BAKED POTATO” “BEVERAGE/SOUP”, and “FROZEN ENTREE”. After you touch these pads, ENTER AMT appears in the display. In each “MENU COOKING” category, smaller size food is set by touching pad once.

SETTING “BAKED POTATO”

For 100g to 150g potatoes:

1. Touch BAKED POTATO pad once.
2. Enter number of potatoes by touching number pads from 1 to 4.
3. Touch START/STOP pad.

For the large 160g to 230g potatoes:

1. Tap BAKED POTATO pad twice.
2. Enter number of potatoes by touching number pads from 1 to 4.
3. Touch START/STOP pad.

SETTING “BEVERAGE”

For 120ml to 170ml coffee cups:

1. Touch BEVERAGE pad once.
2. Enter number of cups by touching number pads from 1 to 4.
3. Touch START/STOP pad.

For the larger 200ml to 260ml coffee mugs:

1. Tap BEVERAGE pad twice.
2. Enter number of mugs by touching number pads from 1 to 4.
3. Touch START/STOP pad.

SETTING “POPCORN”

1. Touch POPCORN pad.
2. Touch NUMBER pads 1 (85g) or 2 (43g)..

3. Touch START/STOP pad.

SETTING “FROZEN ENTREE”

To microwave small dishes (200ml to 260ml.) of frozen entree,

1. Touch FROZEN ENTREE pad once.
2. Touch NUMBER pads (1-2) to select the number of dishes;
3. Touch START/STOP pad.

To set the oven to microwave large dishes (280ml to 340ml) of frozen entree,

1. Touch FROZEN ENTREE pad twice.
2. Touch NUMBER pads (1-2) to select the number of dishes;
3. Touch START/STOP pad.

SETTING “FRESH VEGETABLES”

1. Touch FRESH VEGETABLES pad.
2. Touch NUMBER pads (1-6) to select the amount of vegetables (120g).
3. Touch START/STOP pad.

SETTING “PIZZA”

Reheating a slice (or two thin ones) of leftover pizza:

1. Touch PIZZA pad once. Cooking time appears.

2. Touch START/STOP pad.

Heating a whole frozen pizza:

1. Tap PIZZA pad twice. Cooking time appears.
2. Touch START/STOP pad.

SETTING “REHEAT”

1. Touch REHEAT pad.
2. Touch NUMBER pads (1-7) to select the amount (85g.) of food.
3. Touch START/STOP pad.

Note: place in dish or casserole slightly larger than the amount indicated. Continue to heat with variable power and time if at the end of sensor reheat the food is not sufficiently hot.

NOTE:

This setting lets you reheat a dinner plate of chilled leftovers with good results.

SETTING “FROZEN VEGETABLES”

1. Touch FROZEN VEGETABLES pad.
2. Touch NUMBER pads (1-6) to select the amount (120g) of vegetables.
3. Touch START/STOP pad.

CLEANING AND CARE

1. Turn off the oven and remove the power plug from the wall socket before cleaning.
2. Keep the inside of the oven clean. When food splatters or spilled liquids adhere to oven walls, wipe with a damp cloth. Mild

detergent may be used if the oven gets very dirty. Avoid the use of spray and other harsh cleaners as they may stain, streak or dull the door surface.

3. The outside surfaces should be cleaned with

a damp cloth. To prevent damage to the operating parts inside the oven, water should not be allowed to seep into the ventilation openings.

4. Wipe the door and window on both sides, the door seals and adjacent parts frequently with a damp cloth to remove any spills or spatters. Do not use abrasive cleaner.
5. Do not allow the control panel to become wet. Clean with a soft, damp cloth. When cleaning the control panel, leave oven door open to prevent oven from accidentally turning on.
6. If steam accumulates inside or around the outside of the oven door, wipe with a soft cloth. This may occur when the microwave oven is operated under high humidity conditions, this is normal.
7. It is occasionally necessary to remove the glass tray for cleaning. Wash the tray in warm sudsy water or in a dishwasher.
8. The roller ring and oven floor should be cleaned regularly to avoid excessive noise. Simply wipe the bottom surface of the oven with mild detergent. The roller ring may be washed in mild sudsy water or dishwasher. When removing the roller ring from cavity floor for cleaning, be sure to replace in the proper position.
9. Remove odors from your oven by combining a cup of water with the juice and skin of one lemon in a deep microwaveable bowl, microwave for 5 minutes. Wipe thoroughly and dry with a soft cloth.
10. When it becomes necessary to replace the

oven light, please consult a dealer to have it replaced.

11. The oven should be cleaned regularly and any food deposits removed. Failure to maintain the oven in a clean condition could lead to deterioration of the surface that could adversely affect the life of the appliance and possibly result in a hazardous situation.
12. Please do not dispose this appliance into the domestic rubbish bin, it should be disposed to the particular disposal center provided by the municipalities.