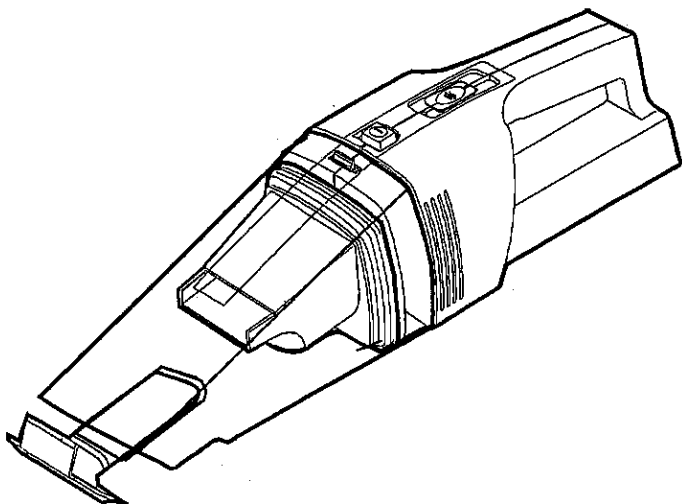


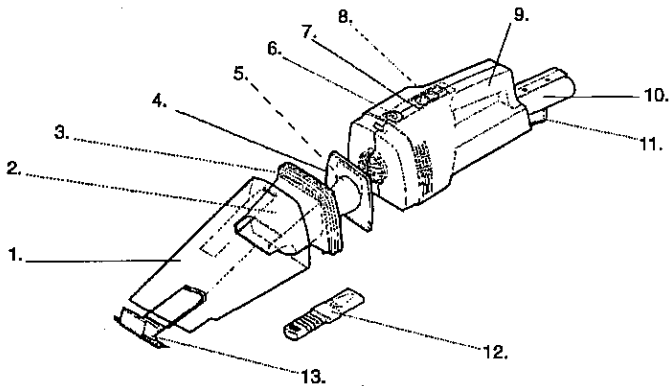
Rechargeable Wet & Dry Handy Vacuum Cleaner

PC-145



SANYO

FEATURES & PARTS (DRAWING 1)



- | | |
|-------------------|--------------------------|
| 1. DUST CONTAINER | 8. ON/OFF SWITCH |
| 2. FILTER TRAY | 9. HOUSING |
| 3. SEALING RING | 10. BATTERY PACK |
| 4. FILTER HOLDER | 11. BATTERY RELEASE DOOR |
| 5. FILTER | 12. CREVICE TOOL |
| 6. RELEASE BUTTON | 13. SQUEEGE |
| 7. LED | |

SAFEGUARDS :-

1. DO NOT PLACE THE NOZZLE OR UNIT NEAR YOUR EYES OR EARS WHEN OPERATING.
2. DO NOT USE TO VACUUM FLAMMABLE OR CORROSIVE LIQUIDS.
3. DO NOT USE TO VACUUM IGNITED MATERIALS SUCH AS A BURNING CIGARETTE, MATCHES OR HOT ASHES.
4. FOR SANITARY REASONS, NEVER LEAVE WET DEBRIS IN THE CONTAINER AFTER USE.
5. NEVER IMMERSE THE MOTOR UNIT IN WATER OR ANY OTHER LIQUIDS.
6. DO NOT USE ANY CHARGER OTHER THAN THE ONE PROVIDED TO CHARGE THE CLEANER

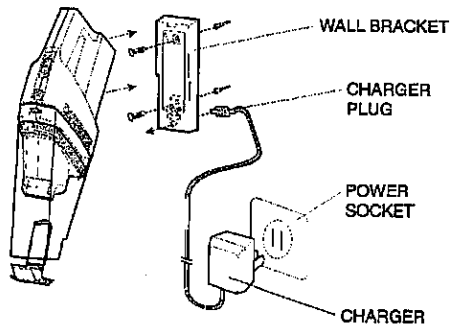
CHARGING

THE VACUUM CLEANER IS POWERED BY NICKEL CADMIUM BATTERIES.

FOR SAFETY REASONS, ONLY USE THE CHARGER THAT IS SUPPLIED BY THE MANUFACTURER.

THIS WET & DRY VACUUM IS SUPPLIED IN A LOW CHARGE CONDITION. IT SHOULD BE CHARGED FOR 15-16 HOURS PRIOR TO INITIAL USE.

TO CHARGE, LOCATE THE CHARGING PLUG TO THE RECESS AREA OF THE CLEANER. SLIGHTLY SLIDE DOWNWARD AND THE CLEANER IS FIXED ON THE WALL BRACKET. THEN PLUG THE CHARGER TO THE ELECTRICAL OUTLET AND THE LED INDICATOR LIGHT WILL LIGHT UP TO INDICATE FAULTLESS CHARGING. YOU MAY LEAVE YOUR CLEANER ON CHARGE CONTINUOUSLY SO THAT IT IS ALWAYS READY TO USE. (DRAWING 2).



IF THE APPLIANCE IS NOT WORKING AS IT SHOULD, HAS BEEN DROPPED, DAMAGED, OR DROPPED IN WATER, PLEASE RETURN IT TO SERVICE CENTER FOR REPAIR.

HOW TO USE :

1. REMOVE CLEANER FROM WALL BRACKET AND PUSH ON/OFF SWITCH FORWARD TO OPERATE. THE CLEANER AUTOMATICALLY SWITCHES OFF WHEN THE SWITCH IS RELEASED SO AS TO SAVE POWER WHEN THE CLEANER IS NOT IN USE.
2. FOR PICKING UP DRY DEBRIS, VACUUM IN ANY DIRECTION UNTIL THE AREA IS CLEAN. EMPTY THE DUST CONTAINER BEFORE PICKING UP LIQUID OR WET DEBRIS.

3. FOR PICKING UP LIQUID & WET DEBRIS, USE THE SAME METHOD AS DRY PICK UP. HOLD THE DUST CONTAINER END DOWN AFTER PICKING UP LIQUID TO AVOID SPILLAGE. THE SQUEEGE IS PROVIDED FOR PICKING UP LIQUID MORE EFFICIENTLY.
4. FOR GOOD VACUUMING RESULT, THE DUST CONTAINER AND FILTER SHOULD BE CLEANED AFTER USAGE.

CLEANING :

1. HOLD THE CLEANER VERTICALLY WITH THE DUST CONTAINER END POINTING DOWNWARD. GENTLY PRESS THE RELEASE BUTTON.
2. GRASP CENTRE RIBS OF FILTER AND LIFT OUT FILTER FROM THE DUST CONTAINER.
3. EMPTY THE DUST CONTAINER.
4. CLEAN OUT THE DEBRIS INSIDE THE DUST CONTAINER.
5. FOR WET OR HEAVILY SOILED FILTER, WASH IT IN SOAPY WATER, USE A SOFT BRUSH IF NECESSARY. RINSE SOAP OFF FILTER.
6. DRY FILTER BY BLOTTING WITH A TOWEL, DRY THOROUGHLY BEFORE RE-ASSEMBLING.
7. PUT BACK FILTER INTO THE DUST CONTAINER AND RE-ASSEMBLE THEM TO THE UNIT AFTER CLEANING.

WARNING :

- NEVER IMMERSE THE UNIT IN WATER OR ANY OTHER LIQUID.
- DO NOT PLACE OR STORE THE APPLIANCE NEAR HOT SURFACES.
- THIS PRODUCT IS FOR HOUSEHOLD USE ONLY.
- DO NOT USE THE CHARGER WITH ANY OTHER APPLIANCE.
- DO NOT PLACE FINGERS NEAR FAN WHEN OPERATIONAL.
- NEVER OPERATE UNIT WITHOUT THE FILTER BEING IN PLACE.

BATTERIES DISPOSAL FOR ENVIRONMENT PROTECTION :

THE NICKEL CADMIUM BATTERY PACK CAN BE RELEASED FROM THE OPENING AT THE REAR PART OF THE UNIT FOR DISPOSAL IN AN ENVIRONMENTALLY FRIENDLY WAY.

SAVE THESE INSTRUCTIONS

You will keep your Sanyo warranty if you provide proof of original buying date when requesting service for your product bought in Australia.

OTHER RIGHTS:

Your express and implied rights and remedies under the Trade Practices Act and other laws are different to your Sanyo warranty benefits.

SANYO WARRANTY:

Except for the clauses below, Sanyo will repair (or at its option replace) any part of your Sanyo product which in its or its repairer's opinion needs repair or replacement because of manufacture or parts during the 2 years commencing from your products original buying date.

HOW TO CLAIM YOUR SANYO WARRANTY:

- Please provide proof of original buying date when requesting Sanyo warranty service - for your product bought in Australia.
- Please install and use your product in accordance with instructions on your operating manual.

PLACE AND TIME OF SERVICE:

Please take or send your product (at your cost and risk) to and from Sanyo or its repairer. If you send your product and / or leave it with or it is taken by Sanyo or its repairer you are wise to insure it for both the sending and return journey. Sanyo service hours are only Monday to Friday (excluding public holidays) 8.30 am to 4.30 pm

Services for which you may be asked to pay at the then current rates

Repairs needed because of

- Leaking batteries
- Accident, misuse, negligence or tampering with
- Use other than in accordance with instructions on your product or in your operating manual
- Lightning strikes
- Salt built up or rust or corrosion if you live near the ocean or in a high humidity area
- Repairs or attempted repairs by anyone other than Sanyo or its repairer
- Use of the product on voltage other than that specified for your product.
- Repairs to your product if bought at auction.



Sanyo Australia Pty Ltd Inc in Victoria

Personal Records

Model NO _____ Serial No _____ Retailers Name _____

Original Buying Date _____ Suburb/Town/City _____

Sanyo

Sydney

211 Walters Rd
Arndell Pk
NSW 2148
Ph (02) 8825 2822

Brisbane

1/17 Mayneview St
Milton 4064
Ph (07) 3367 0799

Adelaide

219 Gouger Street
ADELAIDE SA 5000
Ph (08) 8410 3277

Perth

Unit 5/177 Bannister Rd
Canning Vale 6155
P.O. Box 129 Cloverdale
Ph (08) 9456 1682

Melbourne

370 Whitehorse Road,
NUNAWADING VIC 3131
Ph (03) 9875 4444

Sanyo Regional Repairers

Newcastle

Dadnj Electronics
17 Arnott St
Newcastle West 2302
Ph (02) 4929 5197

ACT

Santronics
15 Kembla St
Fyshwick 2609
Ph (02) 6280 6422

Wollongong

Electronic Services
208 Corrimal St
Wollongong 2500
Ph (02) 4227 3233

Townsville

TV & Audio Service Ctre
53 Thuringowa Dve
Kirwan 4814
Ph (02) 7773 4433

For Further Sanyo repairers and Sanyo office automation dealers
Please ask your closest Sanyo office

