

## Trouble shooting

If you have a problem with your cleaner, consult the handy guide below. If the cleaner is malfunctioning, do not operate it and please ask for service.

Problem	Possible cause	Possible solution
Cleaner won't run	1. Not firmly plugged in	1. Plug unit in firmly
Low suction	1. Clogged floor brush, hose or tube 2. Full of dust in the dust cup 3. Dust cup not in place 4. Clogged the filter	1. Remove the blockage 2. Empty the dust cup 3. Put the dust cap in place 4. Clean or replace the filter
Cord doesn't fully rewind	1. Cord twisted or uneven	1. Pull out the cord and rewind

## Technical specification

Rating Voltage	230-240V	Power	1800-2000W
Rating Frequency	50Hz	Dust Capacity	1.5L
Power Cord Length	4.5m		

**SANYO**

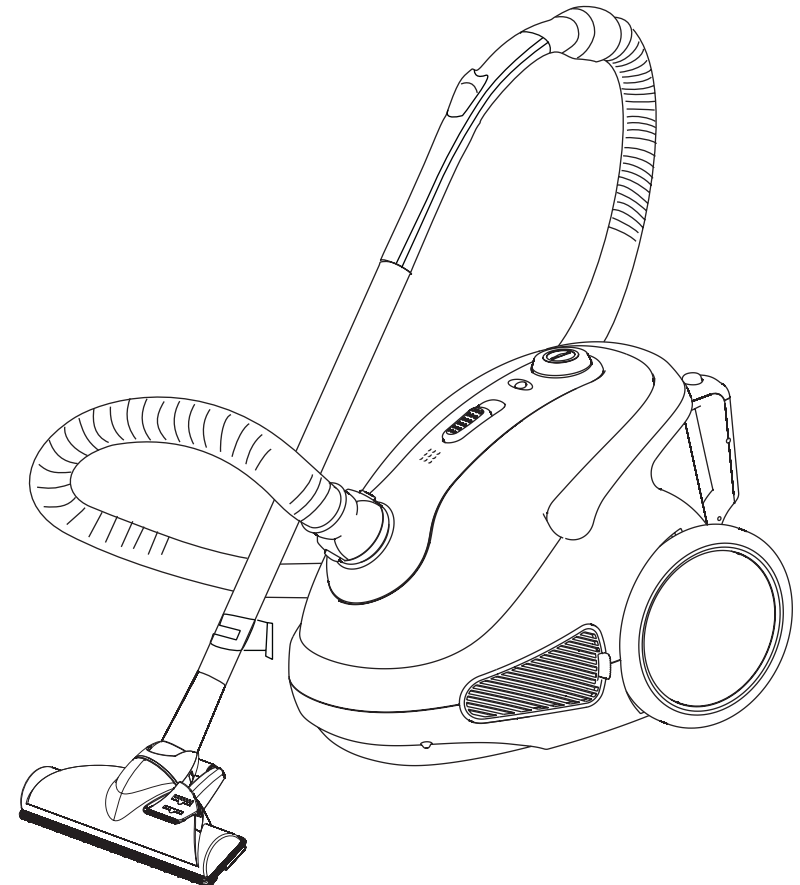
SANYO Electric Co., Ltd.

**SANYO**

**Instruction Manual**

**SC-X2015N**

**Vacuum Cleaner**



## IMPORTANT SAFETY INSTRUCTIONS

When using an electrical appliance, basic precautions should always be followed including the following

### PLEASE READ ALL INSTRUCTIONS CAREFULLY BEFORE USING THIS APPLIANCE

## WARNING

– To reduce the risk of fire, electric shock or injury :

- Do not leave appliance when plugged in. Unplug from outlet when not in use.
- Do not use outdoors or on wet surfaces.
- Children should be supervised to ensure that they do not play with the appliance.
- The appliance is not intended for use by persons (including children) with reduced physical, sensory or mental capabilities, or lack of experience and knowledge, unless they have been given supervision or instruction concerning use of the appliance by a person responsible for their safety.
- Use only as described in this manual. Use only supplied attachments.
- Do not use with damaged cord or plug. If appliance is not working as it should, has been dropped, damaged, left outdoors or dropped into water, it must be repaired by qualified service agent.
- Do not pull or carry by cord, pedal cord, use cord as a handle, close a door on cord or pull cord around sharp edges or corners. Do not run appliance over cord. Keep cord away from heated surfaces. (Figure 1 & 2)
- Do not unplug by pulling on cord. To unplug, grasp the plug, not the cord. (Figure 3)
- Do not handle plug or appliance with wet hands.
- Do not put any object into openings. Do not use with any opening blocked; keep free of dust, lint, hair, and anything that may reduce air flow.
- Keep hair, loose clothing, fingers and all parts of body away from openings and moving parts.

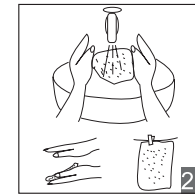
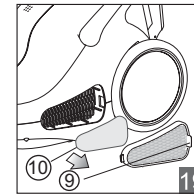
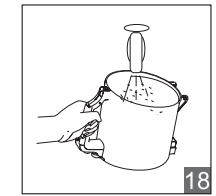
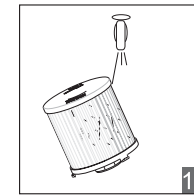
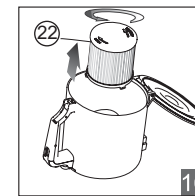
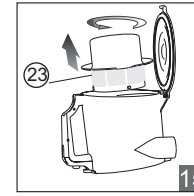
3. Take the HEPA filter(22) out in the direction shown to clean. To clean it completely, wash the filter in water and dry completely before put it back into the cleaner. Be sure to dry naturally to prevent deformation. (Figure 16 & 17)

4. Clean the dust cup with water if necessary. (Figure 18)

- Clean outlet filter

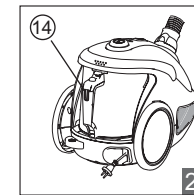
1. Press the button on the outlet filter cover (9) to take out the outlet filters (10). (Figure 19)

2. Wash the filters in water and dry completely before put them back into the cleaner. Be sure to dry naturally to prevent deformation. (Figure 20)

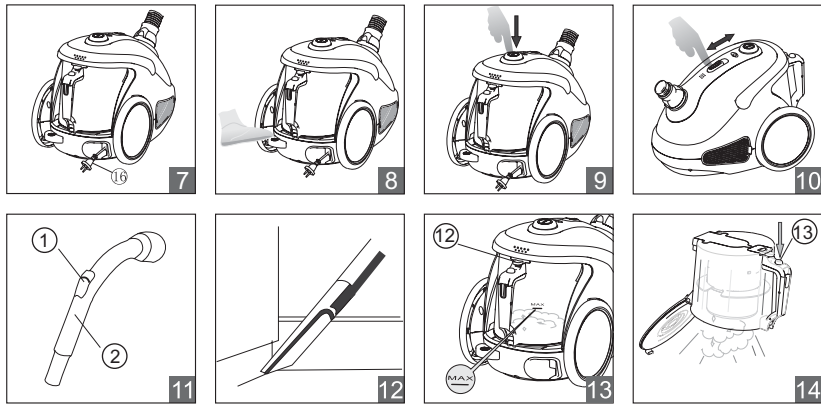


## Storage

When not in use, hook the tube holder on the telescopic tube onto the tube holder hole (14) on the dust cup handle. (Figure 21)



- Combination nozzle  
Use crevice nozzle to vacuum edges and gaps. (Figure 12)  
The head of the combination nozzle can rotate. Use the round brush to vacuum sofa, curtain or fragile or easily scratched items.
- Dust cup
  1. Empty the dust cup before contents reach the Max mark. (Figure 13)
  2. Press the dust cup clamp (12) and pull the cup out. (Figure 13)
  3. Press the release button (13) to open the trapdoor and empty the dust. (Figure 14)



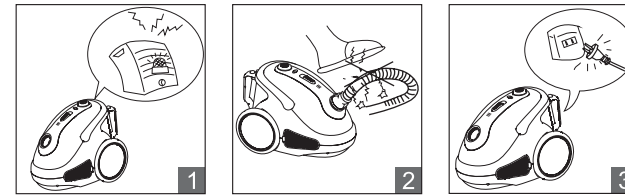
## Care and cleaning

**Caution: Be sure to turn the power off and unplug the unit before cleaning.**

Note: To maintain maximum cleaning performance, empty the dust cup, clean the filters often and replace outlet filters as needed.

- Clean HEPA filter
  1. Empty the dust cup.
  2. Reverse the dust cup and turn the outlet filter cover (23) several times in the direction shown and pull it out. If necessary, remove the dust jammed in the HEPA filter. (Figure 15)

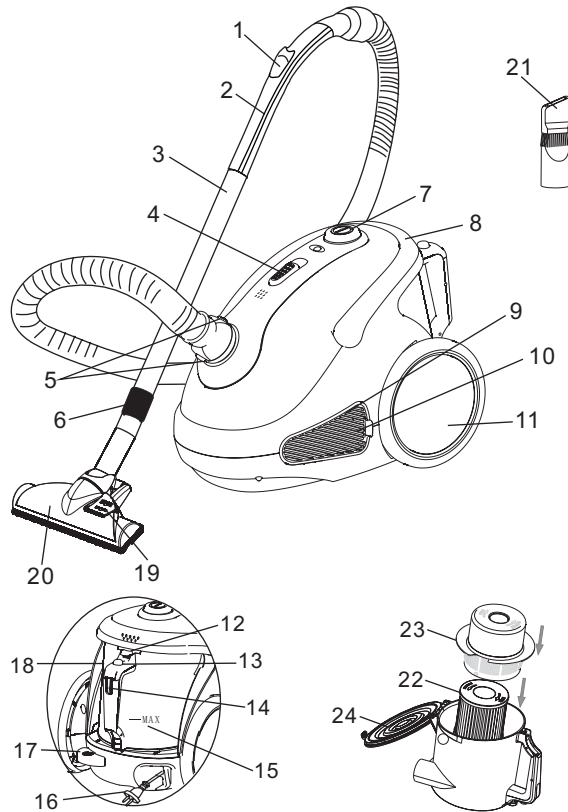
- Do not pick up anything that is burning or smoking, such as cigarettes, matches, or hot ashes.
- Do not use without filters in place.
- Turn off all controls before unplugging.
- Use extra care when cleaning on stairs.
- Do not use to pick up flammable or combustible liquids such as gasoline or use in areas when they may be present.
- Hold plug when rewinding onto cord reel. Do not allow plug to whip when rewinding.
- Avoid using in a vertical position.
- If the supply cord of this appliance is damaged, ask the shop which you bought, or it must only be replaced by properly qualified service personnel because a special purpose tool is required.
- If you find the motor temperature too high or any unusual noise when using, stop the operation and do not open the appliance.



## SAVE THESE INSTRUCTIONS

**This vacuum cleaner is intended for household use only.**

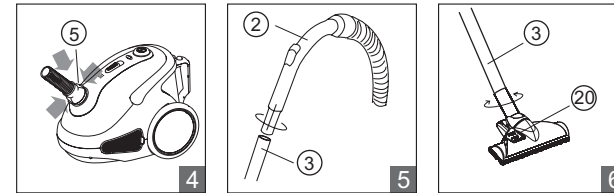
## Name of parts



1	Air flow regulator	13	Release button
2	Hose	14	Tube holder hole
3	Telescopic tube	15	Max mark
4	Speed regulator knob	16	Power cord
5	Hose stopper	17	Cord rewind pedal
6	Wand holder	18	Dust cup
7	ON/OFF switch	19	Rug/Floor switch lever
8	Handle	20	Floor brush
9	Outlet filter cover	21	Combination nozzle
10	Outlet filter (inside) (both sides)	22	HEPA filter
11	Wheel (both sides)	23	HEPA filter cover
12	Dust cup clamp	24	Trapdoor

## How to assemble/disassemble

- To connect hose, press the button on the hose end and insert the hose into the opening until the hose locks. To detach, press the button (⑤) on the hose end and pull the hose toward you. (Figure 4)
- To connect hose (②) with telescopic tube (③), insert the hose into the tube and rotate until firmly connected. (Figure 5)
- Put the floor brush (⑳) or the combination nozzle into the tube (③) and rotate to connect them firmly. (Figure 6)



## How to use

- Plug and power cord

**Important: The power cord (⑯) has a yellow marking and a red marking. Up to yellow marking is the recommended length. Never pull the cord beyond the red marking. (Figure 7)**

Before starting operation, pull out the power cord and connect the plug. After using, be sure to disconnect the plug and rewind the power cord. To rewind the power cord, step the cord rewind pedal at the rear of the cleaner. Before rewinding, be sure the cord is unplugged (Figure 8)

- ON/OFF switch

Press the ON/OFF switch on the top of the cleaner to start or stop operation. (Figure 9)

- Variable Power

To control suction power, slide the speed regulator knob on the body. Slide up to the upper end for maximum power. Slide down to the lower end for minimum power. (Figure 10) Suction power can also be controlled by sliding the air flow regulator (①) on the hose (②). Slide up to the upper end for maximum power. Slide down to the lower end for minimum power. (Figure 11)