

June 20

PARTS LIST

SPARE PARTS



REFRIGERATOR

THIS IS A BIG ONE.

SR2000F

Australia

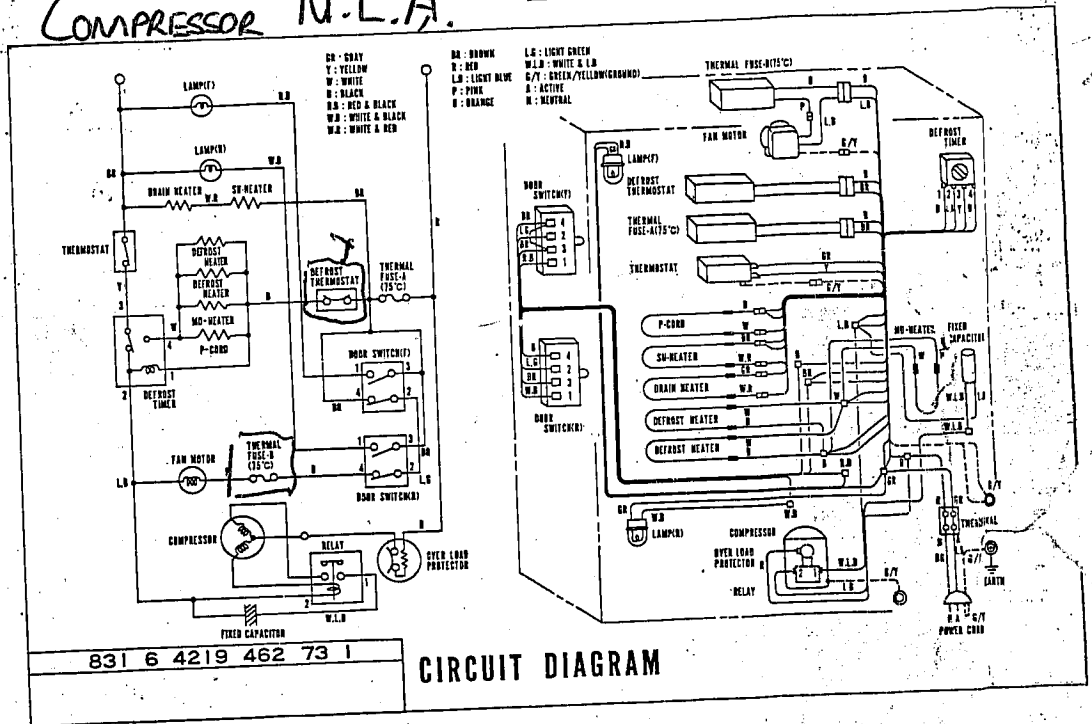
MAY. 1984

4-2319-42070 door switch

FREEZER T1

COMPRESSOR N.L.A.

MODEL NO.	VOLTAGE	PRODUCT CODENO.
SR2000F(W)	240V, 50Hz, O3	831-195-46



SPECIFICATIONS

Outside Dimensions (W x D x H)	Approx. 31-5/8" x 32-5/8" x 67-3/8" (804 x 829 x 1,712mm)	
Net Weight	Approx. 239.8 lbs. (109Kg)	
Refrigerant	Freon 12 (R-12) 5.65 oz. (160g)	
Volts	240V	803-205-55
Compressor Model No.	(200W) C-P201L5W	
D.C. Resistance of Main Winding at 25° C	Approx. 10.50 Ω	
D.C. Resistance of Auxiliary Winding at 25° C	Approx. 63.14 Ω	
Starting Relay	S42C	4-2329-62622
Overload Relay	P85AR	4-2329-64480
Starting Capacitor	30MFD-300VAC	4-2239-60219
Indicator Lamp	250V-15W (E14)	4-6129-42093
Fan Motor (2.0W)	FL2-021T5M	(831-0-5303-40440) 524-201-05
Timer	TMDE-807KF(200V-240V)	4-9519-42076
Heater, P-Cord (25W) at 25° C	Approx. 1511 Ω ± 106 Ω	4-2459-43107
Heater, Drain (2.6W) at 25° C	Approx. 4394 Ω ± 308 Ω	4-2459-43103
Heater, SU (3W) at 25° C	Approx. 5052 Ω ± 354 Ω	4-2459-43105
Thermostat, F	ATB-SU159	4-2339-42434
Thermostat, Damper	XGB-S206	4-2339-42297

Specifications subject to change without notice.

CABINET PARTS

Freeze

MOTOR 75-500 21-80

590 15-80

15-80

14-80

13-80

12-80

11-80

10-80

9-80

18-80

17-80

16-80

15-80

14-80

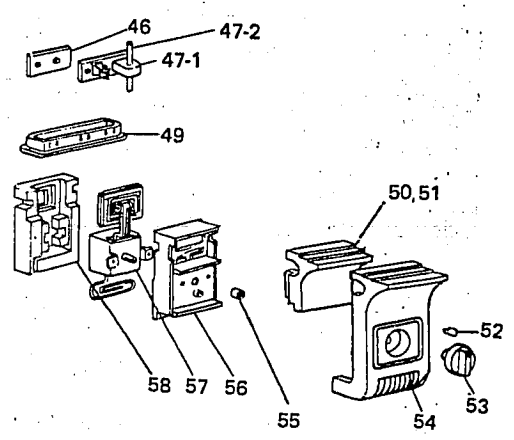
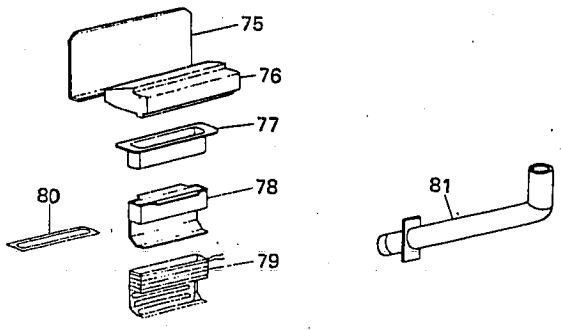
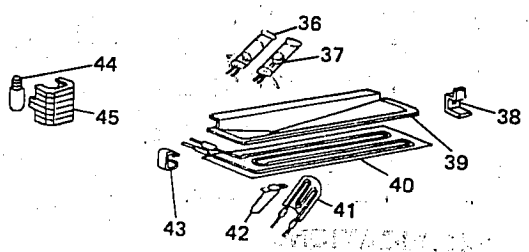
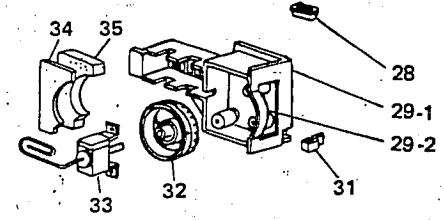
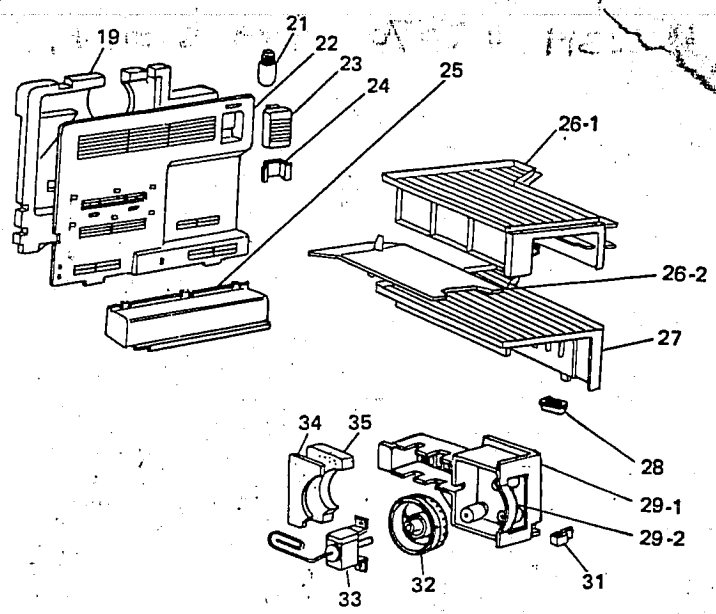
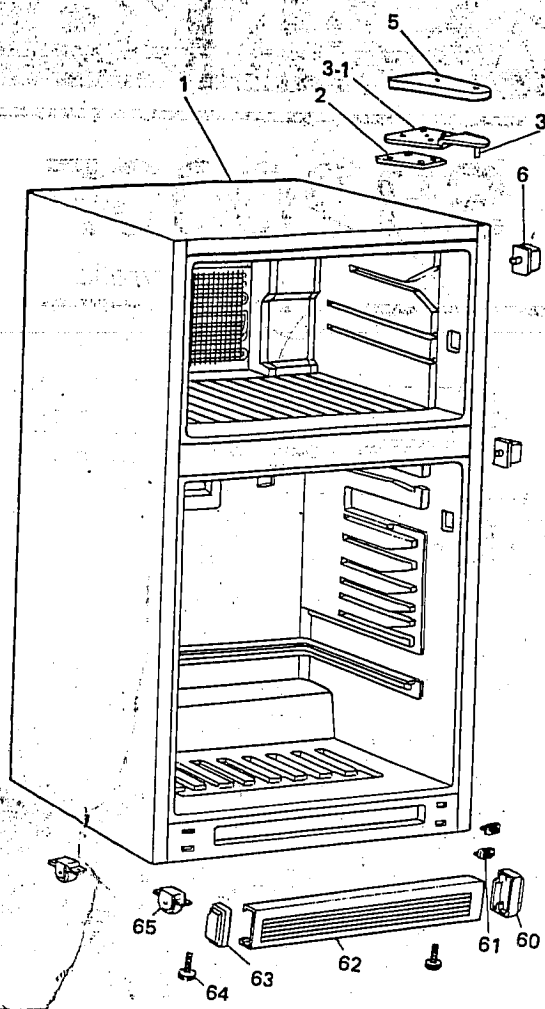
13-80

12-80

11-80

10-80

9-80

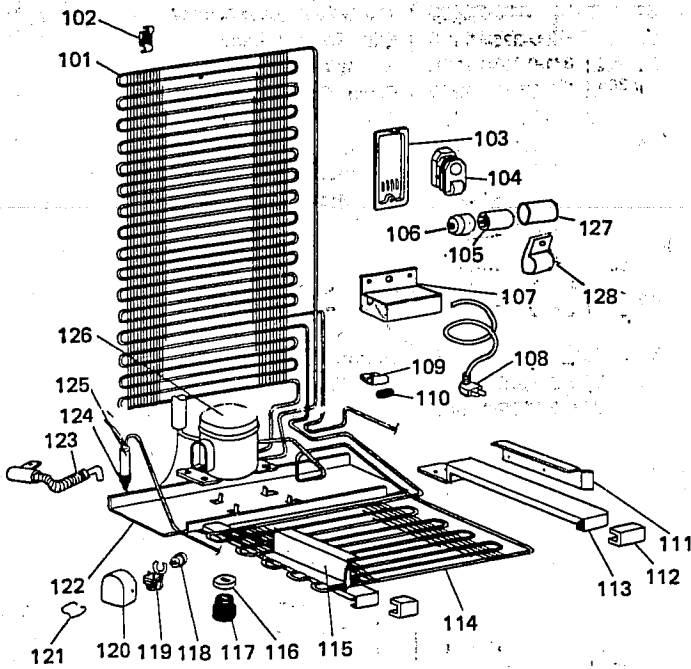


CABINET PARTS

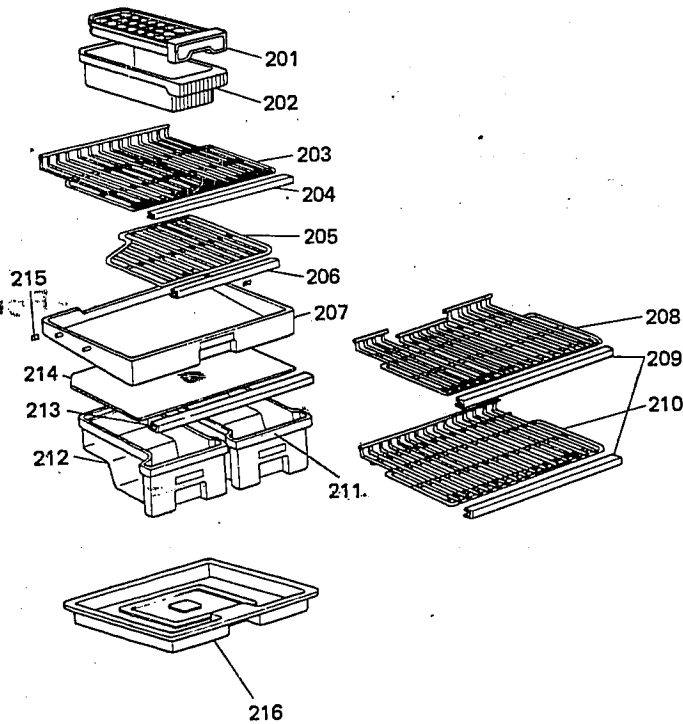
Key No.	Part No.	Description	Q'ty	Key No.	Part No.	Description	Q'ty
1	831-0-0008-03708	Urethane Foam Ass'y, Cabi (White)	1	49	831-2-2306-10601	Air Inlet Cover (Ref)	1
2	831-2-1325-19100	Shim Hinge, Top	1	50	831-2-2316-28400	Insulation, Cover Damper	1
3-1	831-2-1320-18500	Hinge Top	1	51	831-2-2316-28500	Insulation, Cover Damper	1
3-2	831-2-2363-14300	Shaft, Hinge Top	1	52	831-2-6125-10100	Clip, Thermo Knob	1
5	831-2-1330-12000	Cover, Hinge Top	1	53	831-2-6120-14108	Knob, Thermostat	1
6	4-2319-42070	Door Switch	2	54	831-2-2309-17930	Cover, Damper	1
9	831-2-2331-37700	Plate Mtg, Fan Motor	1	55	831-2-2374-46400	Seal, Knob Thermo	1
10	831-2-2322-14100	Grommet	1	56	831-2-2308-13601	Panel, Thermo	1
11	524-201-05	Fan Motor (220-240V) <i>N/A</i> FL2-021T5M (831-0-5303-40440)	1	57	4-2339-42297	Thermostat, Damper (XGB-S206)	1
12	831-2-2322-12900	Grommet	1	58	831-2-2316-28600	Insulation, Case	1
13	831-0-5309-13700	Thermal Fuse Ass'y-B (75°C) Co1	1	60	831-2-1309-10503	Kick Plate Cap (Right)	1
14	831-2-2316-12900	Insulation Support <i>31700</i>	1	61	831-2-1321-11300	Support, Kick Plate	4
15	831-2-5321-12100	Support-A, Fan Motor	1	62	831-2-1305-12400	Kick Plate	1
16	831-2-5321-12200	Support-B, Fan Motor	1	63	831-2-1309-10603	Kick Plate Cap (Left)	1
17	831-2-2350-11700	Fan	1	64	431-2-1305-10100	Leveler	2
18	831-2-2366-11600	Spring, Fan	1	65	831-0-1203-10400	Castor Ass'y	4
19	831-2-2316-31500	Insulator	1	71	831-2-1325-18100	Shim, Hinge Bottom	1
21	4-6129-42093	Indicator Lamp E14 Type (240V) 250V-15W	1	72	831-2-1320-16604	Hinge Bottom	1
22	831-2-2309-19101	Cover, A	1	75	831-2-2331-38000	Plate Mtg	1
23	831-2-5301-11800	Shield Cover	1	76	831-2-2316-32000	Ins. Bottom, Eva Cover	1
24	831-2-5306-10600	Trim	1	77	831-2-2106-15501	Duct, Air Inlet-F	1
25	831-2-2309-19001	Cover, B	1	78	831-2-2331-38100	Plate, Support	1
26-1	831-2-2205-34400	Shelf	1	79	4-2459-43105	Heater, SU (220-240V)	1
26-2	831-2-2205-34600	Shelf	1	80	831-2-2374-54700	Seal	1
27	831-2-2205-34500	Shelf	1	81	831-2-2301-12800	Funnel Drain	1
28	831-2-2321-24701	Support	1				
29-1	831-2-2309-18905	Cover Thermo. F	1				
29-2	831-2-2211-13308	Trim, Thermo. F	1				
31	831-2-2325-17100	Shim, Door Freezing	1				
32	831-2-6120-14402	Knob Thermo. F	1				
33	4-2339-42434	Thermostat.F (ATB-3U159) <i>NLA</i>	1				
34	831-2-2374-51500	Seal, Insulator	1				
35	831-2-2316-31600	Insulator	1				
36	831-0-5309-15100	Thermal Fuse Ass'y, 75°C (A01)	1				
37	4-2339-42296	BI-Metal Thermo (TH-2)	1				
38	831-2-2321-25100	Support	1				
39	831-2-2330-15801	Plate Support	1				
40	4-2459-43107	Heater, P-Cord (220-240V)	1				
41	4-2459-43103	Heater, Drain (220-240V) <i>-Back</i>	1				
42	831-2-2303-25200	Tube Drain	1				
43	831-2-2321-25000	Support	1				
44	4-6129-42093	Indicator Lamp E14 Type (240V) 250V-15W	1				
45	831-2-5301-11600	Shield Light, Ref	1				
46	831-2-1325-20001	Shim, Hinge Middle	1				
47-1	831-2-1320-21400	Hinge Middle	1				
47-2	831-2-2363-14200	Shaft, Hinge Middle	1				

COOLING UNIT PARTS

COOLING UNIT PARTS



ACCESSORIES

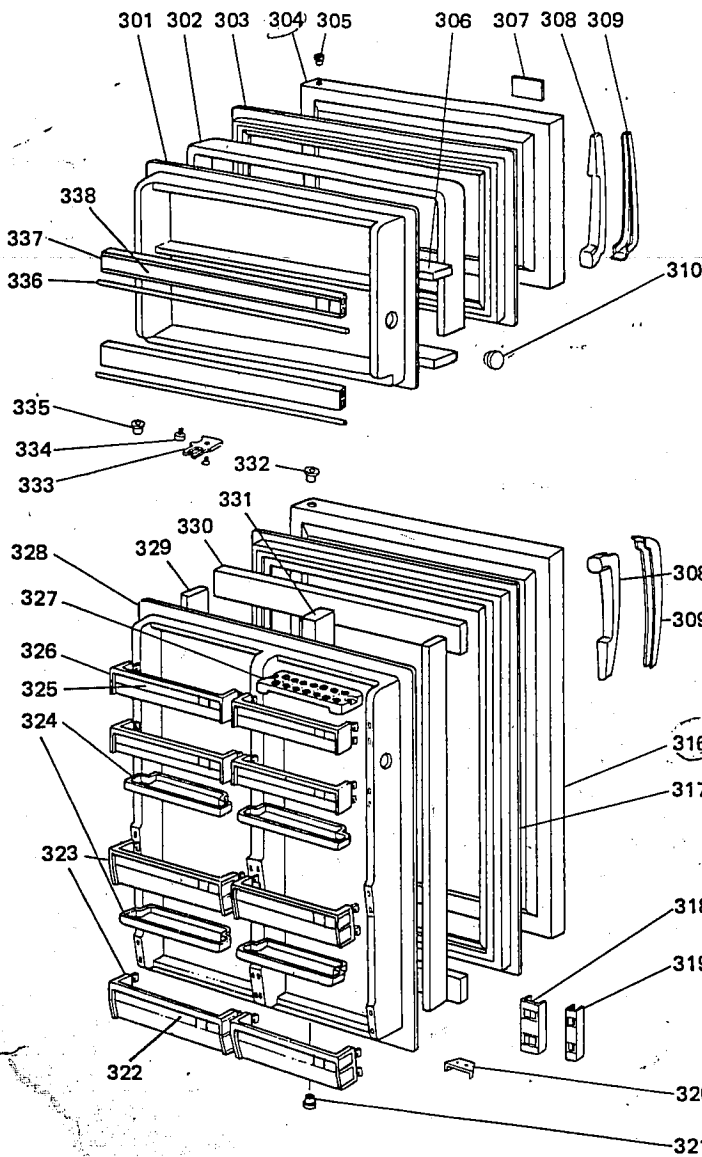


Key No.	Part No.	Description	Q'ty
101	831-0-4102-27800	Condenser, Ass'y	1
102	831-2-1306-00200	Plate Support, Cond.	6
103	831-2-5308-17402	Case, Elec Cover	1
104	4-9519-42076	Timer, 200-240V (TMDE-807KF) <i>(defrost)</i>	1
105	4-2239-60219	Capacitor, 240V (30MFD-300VAC)	1
106	831-2-5332-12200	Cover, Capacitor	1
107	831-2-5308-19100	Cover	1
108		Power Cord	1
109	831-2-4327-16800	Clamp, Tube Connect	1
110	831-2-4304-12300	Absorber, Tube Connect	1
111	831-2-4323-12200	Plate Support, R	1
112	831-2-1306-20300	Plate Support, Cond.	2
113	831-2-4321-13500	Support	2
114	831-0-4102-27900	Condenser, Evap. Ass'y	1
115	831-2-4323-12100	Plate Support, L	1
116	831-2-2364-12600	Washer, Comp	4
117	831-2-4322-10900	Grommet, Comp Mtg	4
118	4-2329-64480	Relay, Overload 240V (P85AR)	1
119	4-2329-62622	Relay, Starting 240V (S42C)	1
120	831-2-5338-10400	Cover, Relay	1
121	801-2-5340-10100	Clip, Cover Relay	1
122	831-2-1201-15200	Plate, Cover Base	1
123	831-2-2303-25500	Tube, Drain	1
124	831-2-4321-11600	Support Tube	1
125	831-0-4202-11500	Dryer	1
126	803-205-55	Compressor, 240V	1
127	831-2-5332-19600	Cover, Capacitor	1
128	831-2-5326-13300	Clip, Capacitor	1

ACCESSORIES

Key No.	Part No.	Description	Q'ty
201	831-2-2214-12000	Tray Ice Cube	2
202	831-2-2217-10916	Ice Box	1
203	831-2-2205-35000	Shelf-F, Upper	1
204	831-2-2206-27200	Trim Shelf-F, Upper	1
205	831-2-2205-35100	Shelf-F, Bottom	1
206	831-2-2206-27300	Trim Shelf-F, Bottom	1
207	831-2-2203-13100	Tray, Chiller	1
208	831-2-2205-34800	Shelf, Upper	1
209	831-2-2206-27400	Trim, Shelf	2
210	831-2-2205-34900	Shelf, Bottom	1
211	831-2-2211-13700	Trim, Crisper	2
212	831-2-2208-14900	Crisper	2
213	831-2-2206-27100	Trim, Shelf Crisper	1
214	831-2-2210-13800	Shelf, Crisper	1
215	831-2-2322-15700	Grommet, Tray Chiller	1
216	831-2-1307-11400	Tray Drain	1
	831-6-4119-53301	Instruction Manual	1

DOOR PARTS



DOOR PARTS

Key No.	Part No.	Description	Q'ty
301	831-2-3201-34000	Door Panel, F	1
302	831-2-3324-20900	Seal 700L	2
303	831-0-3316-20100	Door Gasket Ass'y, F	1
304	831-0-3104-02008	Urethane Foam Ass'y, Door-F (White)	1
305	831-2-3322-13900	Grommet, Hinge	2
306	831-2-3324-18900	Seal 470L	2
307	831-2-3318-17102	Badge	1
308	831-2-3301-46700	Handle, A 500 (F & R) <i>NLA</i>	2
309	831-2-3301-47004	Handle, B 500 (F & R)	2
310	831-2-3219-11901	Stud	2
316	831-0-3105-03712	Urethane Foam Ass'y, Door-Ref (White)	1
317	831-0-3316-20200	Door Gasket Ass'y, Ref	1
318	831-2-3341-27100	Plate Reinf, Door Panel	2
319	831-2-3341-27000	Plate Reinf, Door Panel	4
320	831-2-3305-13100	Stop Door, Ref	1
321	831-2-3322-13300	Grommet, Hinge	1
322	831-2-3311-31101	Trim, Shelf Bottle	4
323	831-2-3202-18401	Shelf, Bottle	4
324	831-2-3203-17100	Shelf FR	4
325	831-2-3311-30801	Trim, Shelf Bottle	4
326	831-2-3202-18503	Shelf, Bottle	4
327	831-2-3210-11601	Tray Egg (L)	2
328	831-2-3201-34100	Door Panel, Ref.	1
329	831-2-3324-19300	Seal 880L	2
330	831-2-3324-18900	Seal 470L	1
331	831-2-3324-19400	Seal 880L	1
332	831-2-3322-13900	Grommet, Hinge	1
333	831-2-3221-14903	Support, Hinge Stoper	1
334	831-2-3305-14600	Stop Door	1
335	831-2-3322-13100	Grommet, Stop Door	1
336	831-2-3205-12900	Wire Shelf	4
337	831-2-3203-18800	Shelf	2
338	831-2-3212-13500	Trim, Shelf	2

SANYO ELECTRIC TRADING CO., LTD.
 33, Hiyoshi-cho 2-chome, Moriguchi-shi
 Osaka-fu, 570 Japan
 TA 350 Printed in Japan