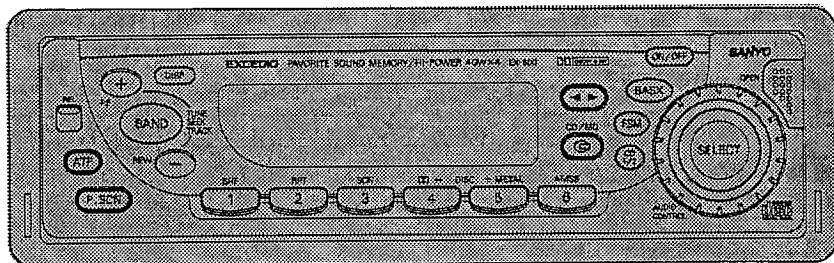


# EX-600



EX-600

**OPEN DOOR DESIGN  
FULL PANEL DETACHABLE  
Full Auto Reverse Car Fidelity  
Receiver/Cassette Player  
with CD Changer Controller  
ISO Mounting with Removable Trim Ring**

(English)

OPERATING INSTRUCTIONS ..... 1~17

(Español)

LIBRITO DE INSTRUCCIONES ..... 19~35

(Português)

INSTRUOÓES DE UTILIZACÃO ..... 37~53

(Français)

MODE D'EMPLOI ..... 55~71

(Nederlands)

BEDIENING SHANDLEIDING ..... 73~89

(中国語)

使用说明书 ..... 91~107

GB

E

P

F

NL

中

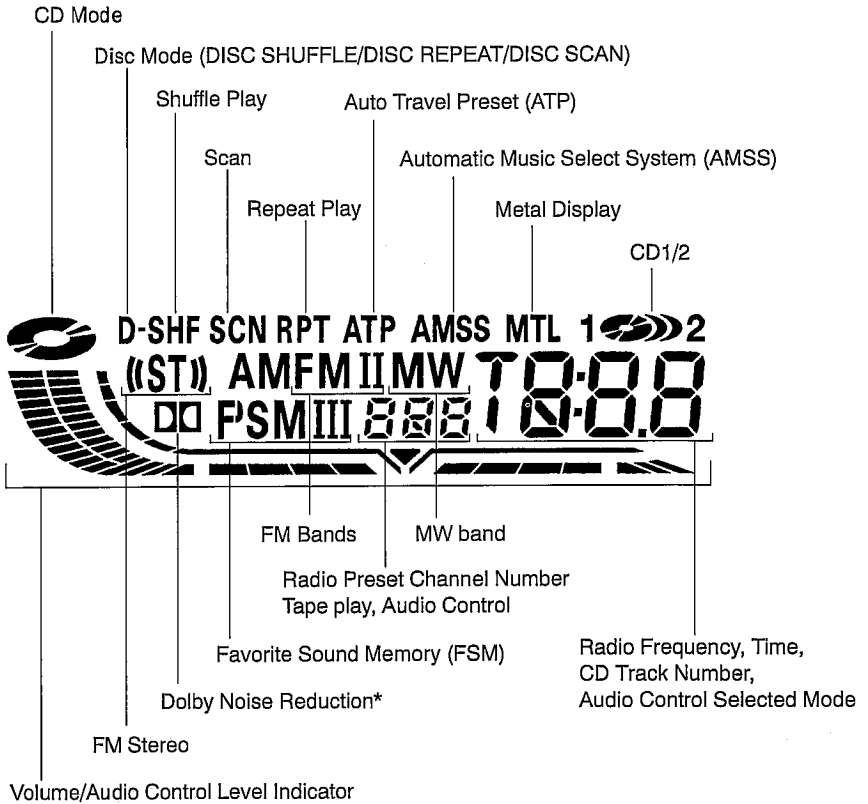
# CONTENTS

DIGITAL DISPLAY .....	2
DETACHABLE FRONT PANEL .....	3
GENERAL OPERATION .....	4
TAPE OPERATION .....	6
RADIO OPERATION .....	8
CD OPERATION .....	10
ERROR SIGNS .....	12
CLOCK .....	12
ACCESSORIES AND HARDWARE .....	13
INSTALLATION .....	14
UNIT REMOVAL .....	15
ELECTRICAL CONNECTIONS .....	16
LINE OUT/CD CHANGER CONNECTIONS .....	17

## CAUTION

- This unit is designed to operate on 12 volts DC, **NEGATIVE** ground electrical systems only.
- When fuse replacement is necessary, use only a 15 amp fuse. Do not replace with a higher rated fuse. If the fuse blows often, carefully check all electrical connections for any short circuits and have your car's voltage regulator checked also.
- Do not install the unit where it will be exposed to direct sunlight or hot air discharged from the car heater.
- Do not expose the unit to water or moisture.
- This unit should not be adjusted or repaired by anyone except qualified service personnel. If servicing is required, return the unit to an authorized SANYO dealer.
- Use of controls or adjustments, or performance of procedures other than those specified herein may result in hazardous radiation exposure.
- Changes or modifications not expressly approved by Sanyo may void the user's authority to operate this equipment.

# DIGITAL DISPLAY



\*Dolby noise reduction manufactured under license from Dolby Laboratories Licensing Corporation. "Dolby" and the double-D symbol are trademarks of Dolby Laboratories Licensing Corporation.

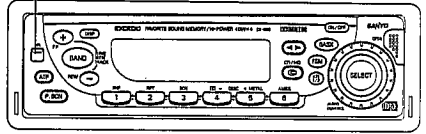
# DETACHABLE FRONT PANEL

The front panel is designed to be removable for antitheft purposes. It is recommended that you remove and carry the front panel with you when you leave your car. A carrying case is provided with the unit for this purpose.

## HOW TO DETACH THE FRONT PANEL

- 1 Press down the release knob (REL.) to release the front panel.
- 2 Pull the entire panel to remove it from the unit.

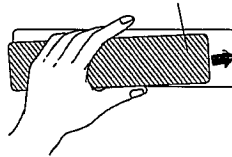
RELEASE KNOB



## HOW TO REPLACE THE FRONT PANEL

Align the right side of the panel with the stopper, and then push the left side of the panel into the unit until it clicks.

FRONT PANEL

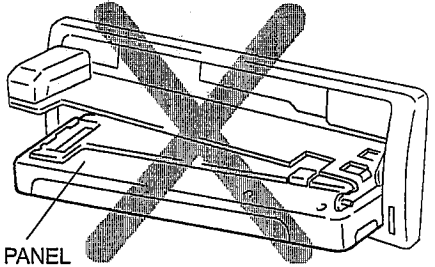


### Note

The unit will not operate if it is installed incorrectly.

### CAUTION

With the door opened, do not attempt to remove or replace the front panel.

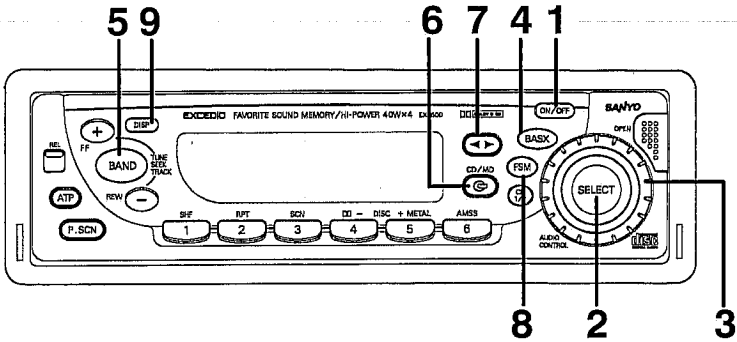


FRONT PANEL

### CAUTION

- Do not attempt to remove the panel in a manner other than that described above.
- When installing the panel, do not force it into the unit.
- Do not touch the connection terminals of the panel or the unit. It may cause poor contact.
- Use a clean, dry cloth when cleaning the terminals.
- Keep the panel out of direct sunlight and high temperatures.
- Prevent the panel from coming into contact with benzene, thinner, or insecticides.
- Do not drop the panel.

# GENERAL OPERATION



## TURNING THE POWER ON

Install the front panel and press the ON/OFF button ①.

## TURNING THE POWER OFF ..... 1

Press the ON/OFF button ① to stop the current operation.  
The button dims lights when the power is off (ACC on).

## ELECTRONIC CONTROLS ..... 2, 3

Press the SELECT button ② to select the audio functions as shown in the table below.  
Turn the jog dial ③ to adjust the selected function ; bass, treble, balance, fade, or volume.

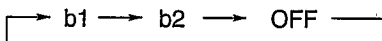
**Note**

*While no other mode is displayed, the jog dial adjusts the volume.*

MODE	Jog Dial Operation	
	Turned left	Turned right
VOL (volume)	Decreased	Increased
bAS (bass)	Decreased	Increased
TRE (treble)	Decreased	Increased
bAL (balance)	Shifted to left	Shifted to right
FAd (fader)	Shifted to front	Shifted to rear

## BASSXPANDER (BASX) – 1/2 ..... 4

BASSXPANDER is a dual-mode sound equalization feature. Press button ④ to select the BASSXPANDER modes as follows;



BASSXPANDER offers two preset modes: BASX-1 enhances the low and high frequencies, while BASX-2 enhances the low frequencies and reduces the high frequencies.

## RADIO SELECTION BUTTON (BAND) ..... 5

Press the BAND button ⑥ to switch from tape or CD mode to radio. Each time the button is pressed, the function changes as shown below.



## CD SELECT BUTTON (CD) ..... 6

Press the CD button ⑥ to switch from radio or tape mode to CD mode.

## TO CANCEL THE BEEP TONES ..... 7

- ① To cancel all beep tones, press button ⑦ for more than 3 seconds with no tape in the slot, and then **bP OFF** is displayed.
- ② To turn on the beep tone again, perform the same procedure. The beep tones are set and **bP ON** is displayed.

## FAVORITE SOUND MEMORY ..... 8

You can store stereo's current volume, bass, treble, balance and fader settings into memory. This lets you select the best sound for the music you listen to and save that sound, so you can recall it later. You can store three FSM (favorite sound memory) settings.

1. Repeatedly press FSM button ⑧.
2. Adjust the volume, bass, treble, balance, and fader.  
Note: FSMI, FSMII or FSMIII indicator blinks while you adjust the controls.
3. When you finish adjusting the stereo's settings, hold down FSM button until the stereo beeps twice. This indicates that the settings you entered are saved in the FSM setting you selected.

To select a FSM setting you saved, repeatedly press FSM until FSMI, FSMII or FSMIII indicator appears.

To cancel FSM, repeatedly press FSM button until FSMI, FSMII or FSMIII indicators disappear from the display.

## AUDIO LEVEL DISPLAY MODE (2 modes available) ..... 4, 9

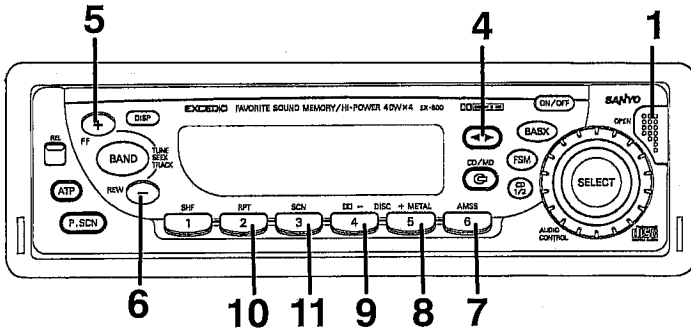
1. Stereo mode
2. Peak level memory mode (Monaural mode)

To switch the mode displayed, press BASX button ④ while pressing DISP button ⑥ for less than 1.5 seconds.

### Note

Default mode after power ON is stereo mode.

# TAPE OPERATION

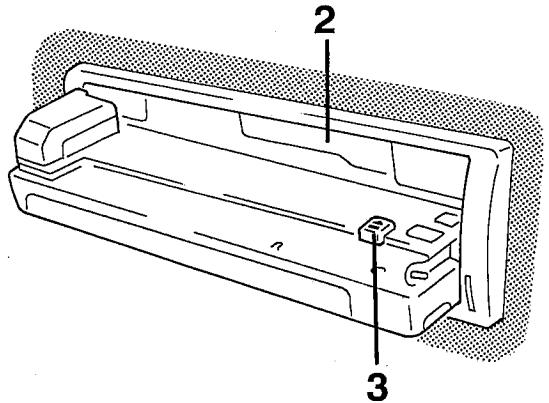


## LOADING AND EJECTING THE TAPE

Press the open button ① to open the door.

Insert a cassette into the tape slot ② and the tape player will start.

Press the eject button ③ to eject a tape.  
The system will return to the last mode.



## SELECTING TAPE MODE

Inserting a cassette into the tape slot as stated above will start the tape player. If radio/CD is in operation with a tape loaded, press button ④ to switch to tape mode.

## SWITCHING THE TAPE DIRECTION ..... 4

Press BUTTON ④.

• When the tape reaches the end of one side, the unit will automatically switch to the opposite side of the tape.

## FAST FORWARD AND REWIND ..... 5, 6

Press BUTTON ⑤ to fast forward and press BUTTON ⑥ to rewind the tape.

Pressing BUTTON ④ during fast forward and rewind operation resumes tape playing.

## LOCATING THE BEGINNING OF A PROGRAM (AMSS) . . . . 5, 6, 7

This system is equipped with a function that allows you to skip forward or backward to locate the beginning of a particular selection on the tape. (Automatic Music Select System : AMSS)

- 1 Press button  $\text{\textcircled{7}}$  "F *TAPE*" is displayed during forward direction play and "R *TAPE*" during reverse direction play.
- 2 Press button  $\text{\textcircled{5}}$  to skip forward up to 9 selections from the current location on the tape.

e.g.) With "F *TAPE*" displayed, press button  $\text{\textcircled{5}}$  three times. "F3 *TAPE*" is displayed.  
The system will search for 3 blank spaces between selections in the forward direction, then begin playing the third selection from the starting point.

- 3 Press button  $\text{\textcircled{6}}$  to skip backward to the beginning of the current selection, or up to 8 selections from the current location on the tape.

e.g.) With "R *TAPE*" displayed, press button  $\text{\textcircled{6}}$  five times. "R5 *TAPE*" is displayed.  
The system will search for 5 blank spaces between selections in the backward direction, then begin playing the fourth selection from the starting point. (The blank space before the current selection counts as one blank space.)

- 4 To cancel AMSS mode, press button  $\text{\textcircled{7}}$  again.

### Notes

- If AMSS detects 15 seconds of blank space, it will automatically advance the tape to the next selection.
- AMSS may not operate properly if
  - A tape was recorded at low level.
  - A tape has long, silent intervals.
  - A tape is a live recording.

## METAL PLAY MODE . . . . . 8

If a metal or high-position tape is used, press metal button  $\text{\textcircled{M}}$  to make the player in metal play mode. MTL is indicated.

## DOLBY B NOISE REDUCTION BUTTON . . . . . 9

To play back a tape encoded with Dolby\* NR, press button  $\text{\textcircled{D}}$ . When Dolby\* NR is activated, the indicator lights. To play other tapes not encoded with Dolby\* NR, press the button to switch Dolby\* NR off. The indicator goes out.

\*Dolby noise reduction manufactured under license from Dolby Laboratories Licensing Corporation.  
"Dolby" and the double-D symbol are trademarks of Dolby Laboratories Licensing Corporation.

## REPEAT MODE . . . . . 10

This operation makes it possible to listen repeatedly to a selection.  
Press RPT  $\text{\textcircled{R}}$  during play. The selection playing will continue until RPT is pressed again.



## SCAN MODE ..... 11

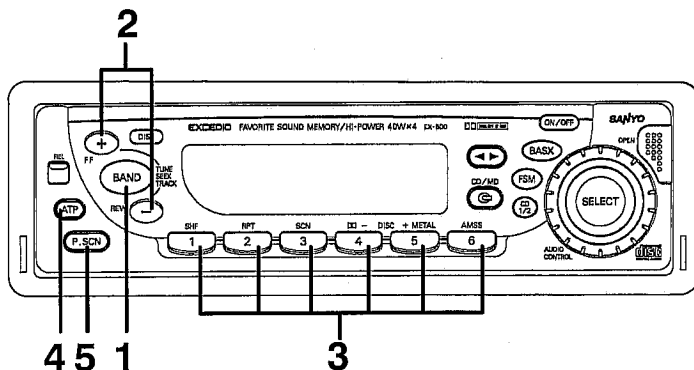
Scan helps to find a program by playing about the first 10 seconds of each selection.  
Press SCN Ⓜ during play to start scan operation.  
To cancel scan, press SCN Ⓜ again.

### Notes

AMSS/RPT/SCN may not operate properly if

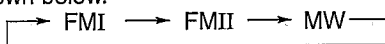
- A tape was recorded at a low level.
- A tape has long, silent intervals.
- A tape is a live recording.

## RADIO OPERATION



## SELECTING RADIO MODE

Press the BAND button ① to switch from CD to the radio mode.  
Each time the BAND button is pressed, the selected band changes as shown below.



## RADIO TUNING ..... 2

- Automatic tuning .... Press the TUNE/SEEK/TRACK ⊕ or ⊖ button ② for more than 2 seconds. When the button is released, the system will start automatic tuning and stop at the next receivable station.
- Manual tuning ..... To select higher frequency stations, press the ⊕ button for less than 0.5 seconds. To select lower frequency stations, press the ⊖ button for less than 0.5 seconds. To quickly scan up or down in frequency, press and hold the ⊕ or ⊖ button. Release the button when the display approaches the desired frequency, then press and release the button repeatedly until the desired frequency is displayed. A flashing decimal point in the frequency display indicates that the system is receiving a station 50 kHz higher than the displayed frequency.

## STORING PRESET STATIONS ..... 3

The preset buttons ③ can be used to store 6 stations in each band (FMI, FMII, and MW) for convenient access to your favorite stations.

- Programming stations ...
  - 1 Select the desired band, then tune in the station you want to store in memory.
  - 2 Press and hold one of the preset buttons for more than 2 seconds.  
Repeat steps 1 and 2 to program additional stations.
- Quick tuning ..... Select the desired band, then press one of the six preset buttons.

## ATP (AUTO TRAVEL PRESET) OPERATION ..... 4

The Auto Travel Preset function searches for and memorizes the 6 strongest stations in one of the two bands (FM, MW) in order of signal strength.

This feature is useful when you are driving in an unfamiliar location and want to memorize local stations without changing the standard preset stations.

A total of 12 stations (6 FM and 6 MW) can be programmed.

- To set the stations .....
  - 1 Select the desired band.
  - 2 Press and hold the ATP button ④ for more than 2 seconds. "ATP" appears in the display.  
When the stations have been memorized, scanning stops and the strongest station is selected.
- Quick Tuning of ATP Stations ...
  - 1 Select the desired band.
  - 2 Press the ATP button if the "ATP" indicator does not appear in the display.
  - 3 Press button ④ to select the desired ATP preset. If a total of six stations cannot be preset "-- --" will be displayed for the empty channels.
- To scan programmed stations ... See "PRESET-SCAN-BUTTON OPERATION".

### Notes

- If no station can be received, "-- --" appears in the display.
- If fewer than 6 stations can be received, the system will memorize as many stations as possible, then select the one memorized first.

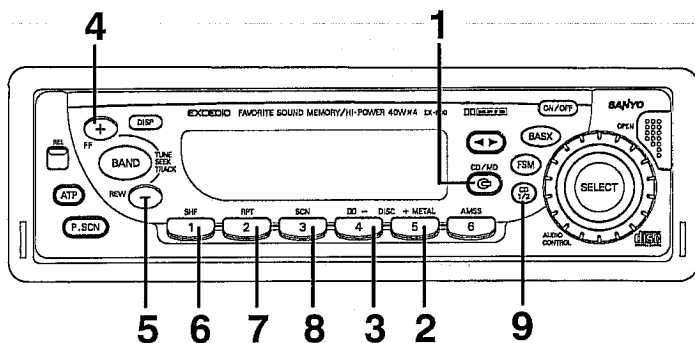
## PRESET-SCAN-BUTTON OPERATION ..... 1, 4, 5

This function scans each of the preset stations stored in the selected band (both manual preset and auto travel presets).

- 1 Select the desired band or ATP mode.  
Press the BAND button ① for FMI, FMII, or MW, or press the ATP button ④ for less than 0.5 seconds to select the ATP mode.
- 2 Press the P.SCN button ⑥. The system will select and receive each preset station for 5 seconds.
- 3 To stop scanning and retain the station currently selected, press the P.SCN button ⑥ again during this five-second period.

# CD OPERATION ★

THE UNIT CAN BE USED TO CONTROL THE FUNCTIONS OF THE FXD-C300, FXD-C100, FXD-C110, FXD-C600 OR OTHER COMPATIBLE SANYO CD CHANGERS.



## SELECTING CD MODE ..... 1

Press the CD button ① to switch from radio mode to CD mode.

## PUTTING THE CD IN PAUSE MODE ..... 1

While playing a CD, press the CD button ① to place the changer in the pause mode. To resume playing, press the CD button again.

### Note

*If the unit is kept in pause mode for more than 5 minutes, the power will switch off automatically.*

## SELECTING A DISC ..... 2, 3

Press the DISC ⊕ button ② to select the next disc.  
Press the DISC ⊖ button ③ to select the preceding disc.

## SKIPPING TRACKS ..... 4, 5

Press the TRACK ⊕ button ④ to skip to the beginning of the next track.  
Press the TRACK ⊖ button ⑤ to skip to the beginning of the track currently playing.  
Press the TRACK ⊖ button ⑤ twice to skip to the beginning of the previous track.  
Press and hold the TRACK ⊕ or ⊖ button for more than 2 seconds to search quickly (with sound) in the forward or reverse direction.  
When the button is released, the CD resumes normal play.

## SHUFFLE MODE ..... 6

This function plays the tracks on one CD or all CDs in the magazine in random order.

- "Shuffle-playing" tracks; ..... Press the SHF button ⑥ to play tracks on the current disc in random order.
- "Shuffle-playing" discs; ..... Press the SHF button ⑥ for more than 2 seconds. The system selects a disc at random and plays all tracks on that disc. When all tracks have been played, the next disc is selected and "shuffle-play" is repeated.

To cancel the track-shuffle or disc shuffle mode, press the SHF button ⑥ again. The system will remain in this mode until it is cancelled.

## REPEAT MODE ..... 7

- Repeat tracks ..... Press the RPT button ⑦ to play the current track repeatedly.
- Repeat discs ..... Press the RPT button ⑦ for more than 2 seconds to play the current disc repeatedly.

To cancel the track repeat or disc repeat mode, press the RPT button ⑦ again.  
The system will remain in this mode until it is cancelled.

## SCAN MODE (PLAYING THE BEGINNING OF TRACKS OR DISCS) ..... 8

This function plays the first 10 seconds of each track or disc sequentially.

- Playing the beginning of tracks ..... Press the SCN button ⑧ to play the first 10 seconds of each track on the current disc in order.  
(Track Scan)
- Playing the beginning of discs ..... Press the SCN button ⑧ for more than 2 seconds to play the first 10 seconds of each disc in the magazine.  
(Disc Scan)

To cancel the track scan or disc scan mode, press button ⑧ again.  
The system will remain in this mode until it is cancelled.

## SELECTING A CD CHANGER ..... 9 ★

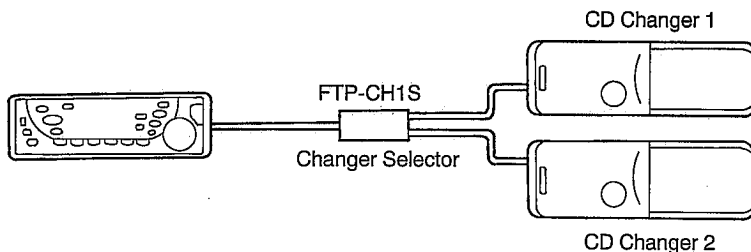
A second CD changer can be connected to the unit by using an optional changer selector (FTP-CH1S). To purchase the FTP-CH1S, contact your local Sanyo car audio dealer.

[ FXD-C300 : 10 discs can be stored.  
FXD-C100, FXD-C110, FXD-C600: 6 discs can be stored. ]

Press the CD1-2 button ⑨ to select the desired CD changer. (CD1/CD2)

### Note

*If only one CD changer is installed, button ⑨ does not function in the CD mode.*



### Note

*When two CD changers are connected, set the select button of one CD changer to 1 and the other to 2. The select button is located on the CD changer body.*

*Do not assign the same number to both changers.*

*For detailed instructions, refer to the instructions supplied with the FXD-C300, FXD-C100, FXD-C110, FXD-C600 or other compatible Sanyo CD changer.*

# ERROR SIGNS (USING CD CHANGER)

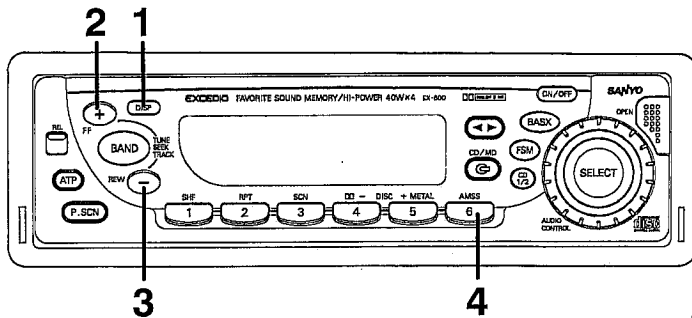
If a problem should occur while operating the CD changer, one of the following error signs may be displayed.

Error Sign	Cause	Remedy
E01	Abnormal disc change function.	Contact the place of purchase.
E07	The disc was inserted incorrectly.	Insert the disc properly.
	The disc is dirty.	Clean the disc.
	The disc is defective.	Use another disc.
		Refer to the instructions supplied with the CD changer.
E30	Excessive temperature has been detected in the vehicle.	Allow the car to cool. Then press the magazine eject button on the CD changer unit.
no cd	The magazine is not fully inserted into the changer. There are no discs in the magazine.	Completely insert the magazine into the changer until it clicks into place. Insert discs into the magazine.
no cd blinking	The connector is detached.	Insert the connector properly.

**Note**

When using the FXD-C300, "E-07" is not displayed.

# CLOCK



## DISPLAY MODE CHANGE ..... 1

The display on the unit can be changed by pushing button ①. Pushing button ① alternates the display between time and radio/tape/CD. Press the DISP button ① to switch between the clock and audio display. When a radio, tape or CD function is performed while the time display is selected, the audio display will appear for 5 seconds, then the display will return to the time mode.

## ADJUSTING THE TIME ..... 1, 2, 3

To adjust the time, press the DISP button ① for more than 2 seconds. The time display blinks.

To adjust the hour, press the + button ②.

To adjust the minutes, press the - button ③.

To advance the time rapidly, hold the - or + button continuously.

Press DISP button ① again to start the clock.

## CLOCK RESET ..... 1, 4

Press DISP button ① for more than 2 seconds and the time display blinks. While blinking, press preset button 6 ④ to skip to the nearest half-hour as follows:

Example: 3:00~3:29 → 3:00

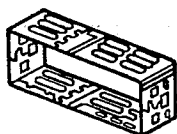
3:30~3:59 → 4:00

### Notes

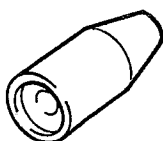
- This unit uses a 12-hour clock.
- The clock function and radio presets are retained in memory when the audio is switched off.

## ACCESSORIES AND HARDWARE

### INSTALLATION



Mounting Bracket  
(Half Sleeve) x 1

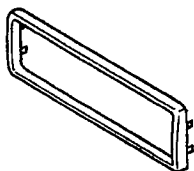


Mounting Grommet  
x 1

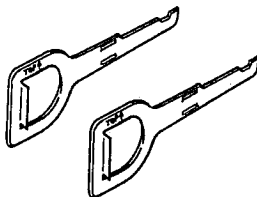


Mounting Screw M5  
x 1

### SET REMOVAL



Removable Trim Ring  
x 1

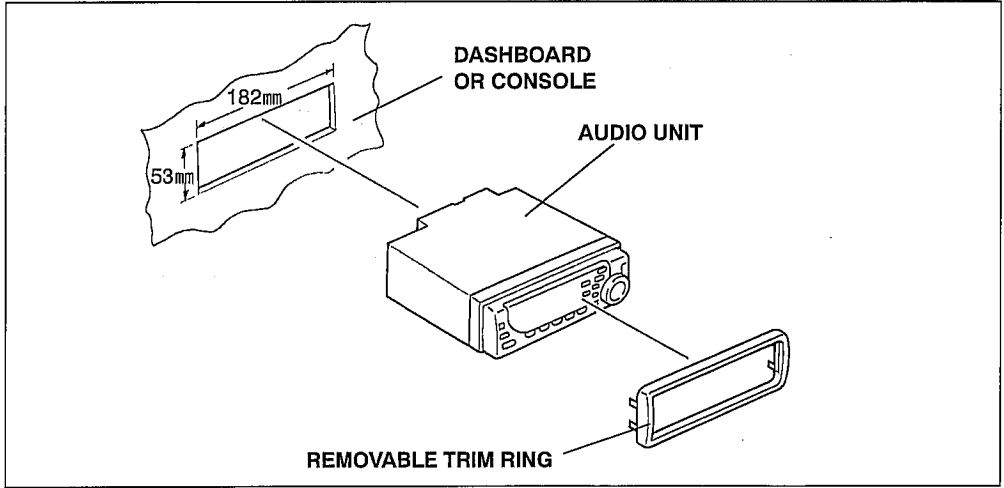


Unlock Levers  
x 2

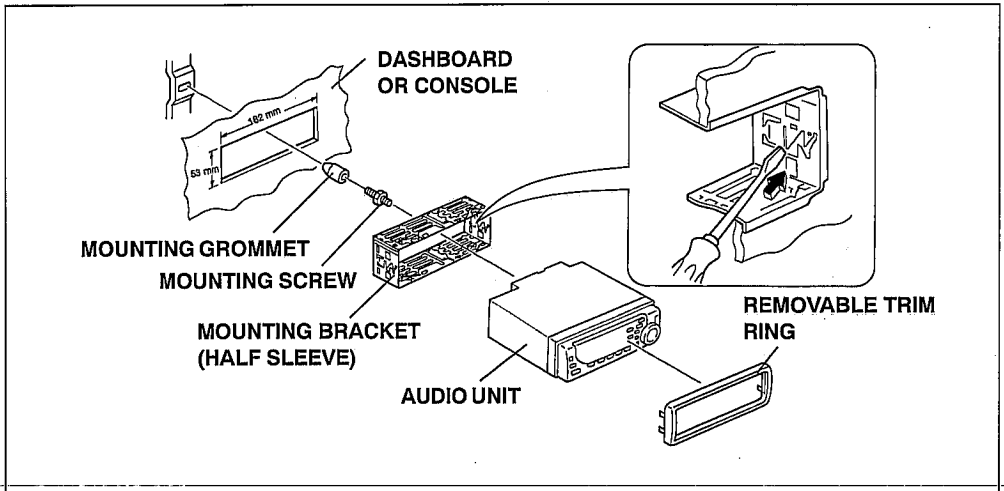
# INSTALLATION

## 1. ISO MOUNTING WITH REMOVABLE TRIM RING

When mounting the unit into a DIN-standard cutout (182 × 53 mm) in the dashboard or console, attach the provided Removable Trim Ring to the unit. Install the Removable Trim Ring with the holes for the unlock levers in the lower part of the Ring.



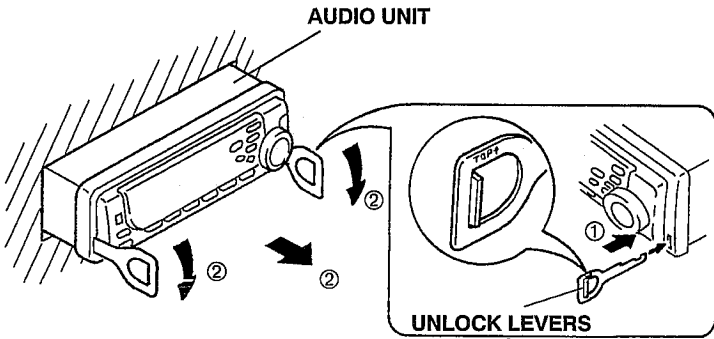
## 2. INSTALLATION PROCEDURES



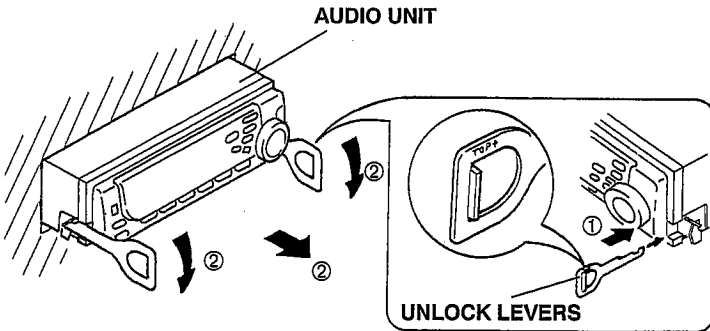
1. Insert the mounting bracket into the DIN-standard cutout (182 × 53 mm) in the dashboard or console.
2. Bend the mounting bracket stopper outward until the bracket fits snugly in the cutout.
3. Install the supplied mounting screw (M5) in the audio unit.  
Cover the mounting screw with the supplied mounting grommet.
4. Push the unit into the mounting bracket until it locks in place.

# UNIT REMOVAL

If the Removable Trim Ring is attached :



If the Removable Trim Ring is not used :



1. Insert the unlock levers into the slots on each side of the unit until they click into place.

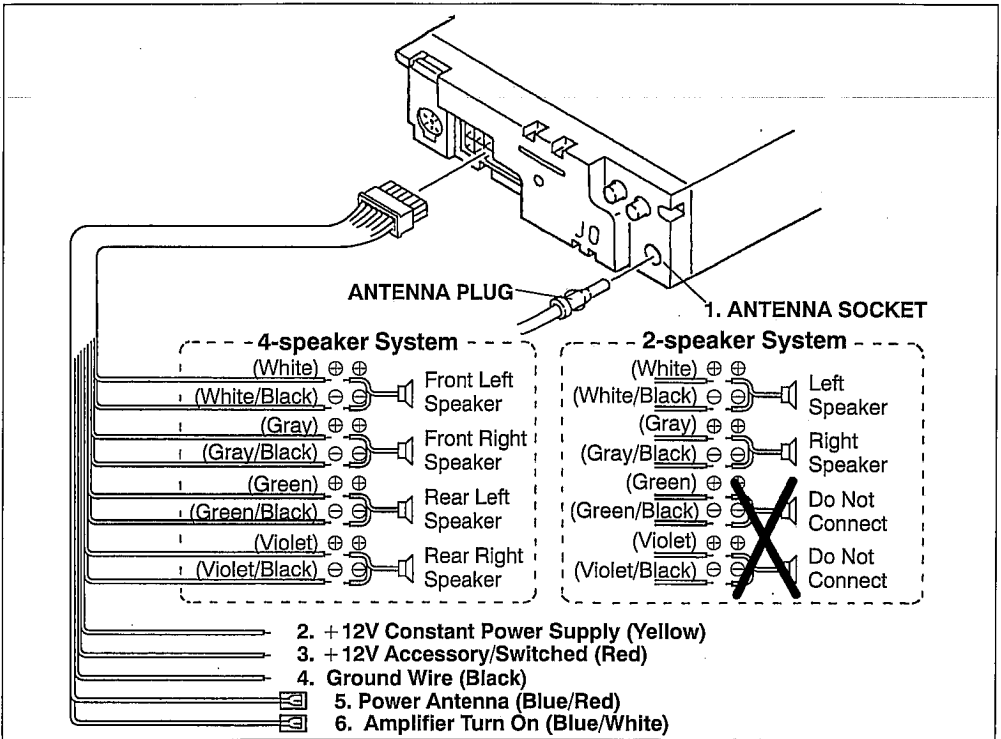
**Note**

*Take care not to insert the levers upside down.*

2. While pressing the levers downward, pull the levers to remove the audio unit.



# ELECTRICAL CONNECTIONS



## ⚠ Caution

- DO NOT connect any speaker wires to the metal body or chassis of the vehicle.
- DO NOT connect the speaker common (-) wires to each other.
- Connect each speaker wire directly to each speaker terminal.
- All speaker common (-) wires must remain floating.

### 1 Antenna socket

- Insert the plug from the antenna installed in your vehicle into this socket. (If your vehicle has a dual antenna system, a dual antenna to single antenna cable adaptor may be required.)

### 2 +12V Constant Power Supply (Yellow)

- Connect this wire to the +12V power terminal which receives power continuously.

### 3 +12V Accessory/Switched (Red)

- Connect this wire to the terminal which receives power while the ignition switch is at ON or ACCESSORY position.
- If the ignition switch does not have an ACC position, connect this wire to a +12V power terminal which receives power continuously. (Same as item 2.)

### 4 Ground wire (Black)

- Connect this wire to the vehicle chassis.

### 5 Power Antenna (Blue/Red)

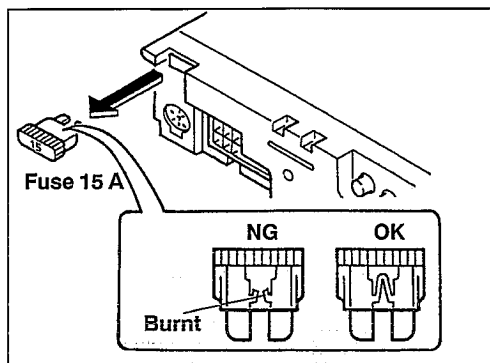
- Connect this wire to the control terminal of a Power Antenna.
- When not using a Power Antenna, this wire is not connected.

### 6 Amplifier Turn On (Blue/White)

- Connect this wire to an external amplifier.
- When not using an external amplifier, this wire is not connected.

## Notes

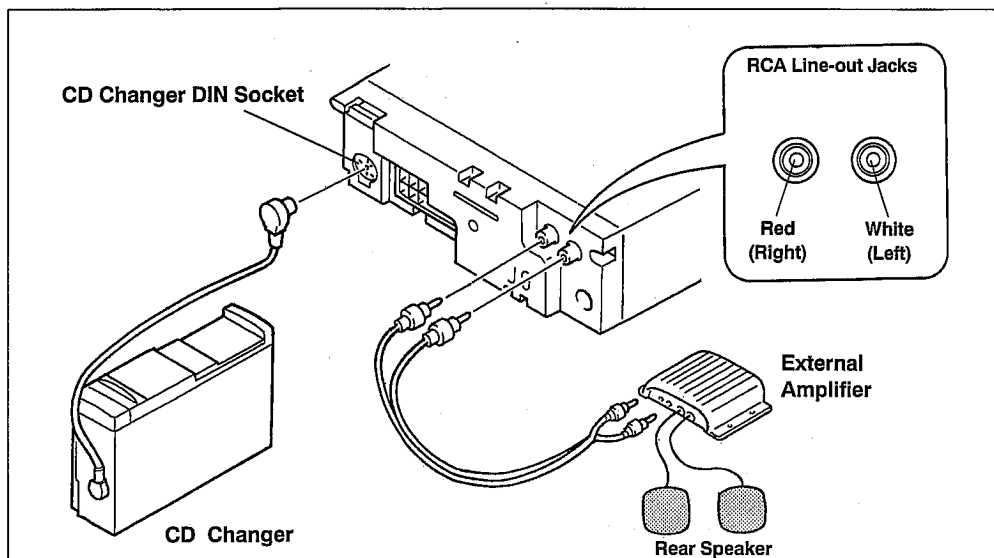
- When using a two-speaker installation, the Green, Green/Black, Violet, Violet/Black wires, which are used for a four-speaker installation, are not used. The ends of these wires must be covered with electrical tape to prevent them from shorting to the unit or the vehicle chassis.



- When using a two-speaker installation, set the FADER control to the center position.
- When fuse replacement is necessary remove the blown fuse by using pliers. Then install the new 15 amp. fuse.

## LINE OUT/CD CHANGER CONNECTIONS

- The unit has a built-in CD changer controller and line output terminals. You can use a compatible Sanyo CD changer and a separate rear channel amplifier to upgrade your system.



### CD Changer DIN Socket

- Connect the 8-pin DIN cable, which is supplied with the FXD-C300, FXD-C100, FXD-C110, FXD-C600 or other compatible Sanyo CD changer, to the DIN socket on the back of the unit.

### RCA Line-out Jacks (For Rear Speakers)

- Connect a patch cable (not supplied) from the White (left rear channel) and Red (right rear channel) RCA line output jacks to the line input terminals of the external amplifier.



**SANYO Electric Co., Ltd.**  
Printed in Malaysia  
1ED6P10A12900  
REV.0