

OPERATING
INSTRUCTIONS

SANYO

FT 200F-4



**SANYO
COMPACT
CASSETTE IN-DASH
CAR STEREO PLAYER
WITH FM / AM RADIO**

FEATURES

The SANYO FT 200F-4 Cassette Stereo Tape Player with "AM-FM" Radio is an extremely compact unit featuring slot cassette loading and automatic motor shut off at end of tape. The compact size of FT 200F-4 makes it readily adaptable to in-dash mounting in most cars. The sensitive radio enables you to listen to your favorite AM or FM programs. A tape indicator shows when the tape player section is in use and a FAST FORWARD Control mode enables rapid location of a desired selection on the tape. The efficient integrated circuitry provides high fidelity output power with low battery drain, and the motor is regulated to provide the proper tape speed over the range of 11 – 16 volts from a NEGATIVE-GROUND electrical system only.

CONTROLS (See Fig. 1)

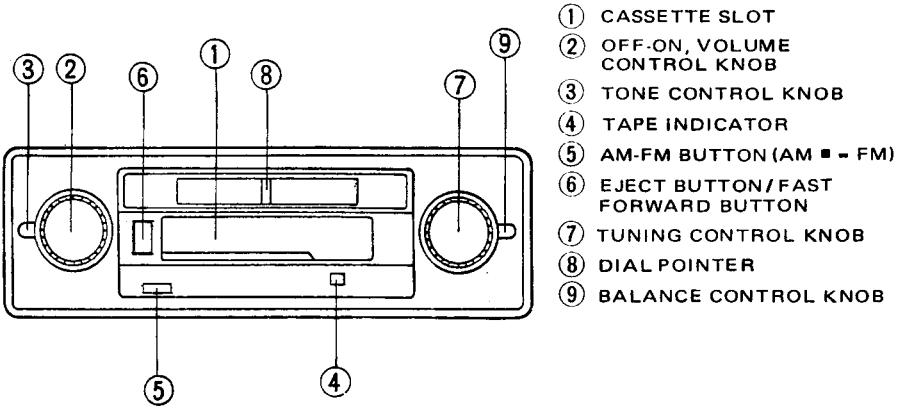


Fig. 1

OPERATIONS

To Play Back a Cassette Tape

- a. Turn the power on by rotating the VOLUME control clockwise.
- b. Push the cassette all the way in the unit until it is locked down.

CAUTION

To prevent tape from loosening remove cassette tape from car stereo unit when not in use. When inserting cassette be sure that tape is not unraveled from its spool. If cassette is inserted in this condition the tape may wrap around the capstan and damage the tape and/or the mechanism.

Use a pencil or a small rod as shown to keep tape right in the cartridge. (See Fig. 2)

Do not use tapes with wrinkled or half-peeled labels to avoid possible system trouble.

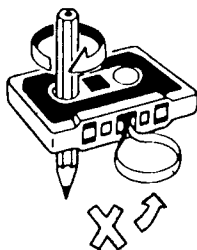


Fig. 2

- c. Adjust the **BALANCE**, **TONE** controls as desired.
- d. While a tape is playing, the tape indicator will illuminate in Green.
- e. To skip a selection, push the button of **FAST FORWARD**.
The tape will advance at high speed.
- f. To stop the **FAST FORWARD**, depress the **EJECT BUTTON** half way.
- g. To stop the tape, depress the **EJECT BUTTON**.

To Listen to Radio Program

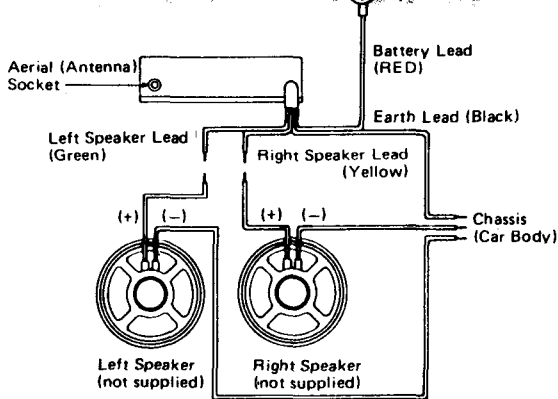
- a. Turn on the power by rotating the **VOLUME** control clockwise.
- b. The radio will not operate while a cassette is being played.
- c. Press the **EJECT** button to clear the unit for radio operation.
- d. Press or release the **AM/FM** (**AM** ■ ■ **FM**) band select button for the band you desire.
- e. Use the **TUNING** control knob to select your station.
- f. To turn off the radio, rotate the **VOLUME** control fully counter clockwise.

IGNITION NOISE

After installation, interference or noise may occur during radio or tape operation. This interference is caused by your car and not the tape player. When installation of a noise suppression system is required, consult your dealer or automotive sound installation specialist.

MAINTENANCE HINTS

1. When not in use, always remove the cassette from the player.
2. The cassette case is made of high impact plastic and should not be exposed to heat exceeding 55°C, as this may result in deforming. Also, the cassette should not be left in temperatures below -5°C, as this may result in brittle tape easily broken during playback. If the tape has been exposed to extreme cold, it should be allowed to warm up before playing.
3. Never place cassette tape in the vicinity of a strong magnetic field such as electric motors, loudspeakers, TVs, radio sets or other electrical appliances. Also, avoid touching the surface of the tape as this may result in erasure or distortion of the recording.
4. Tape cassette should be placed in plastic bags and stored in places that are not exposed to excessive heat (do not leave in the sun), cold or humidity.
Proper care will ensure longer tape life and more satisfactory performance.
5. Protect the unit and the cassette cartridges from the moisture. Close all windows when washing the car.
6. When replacing the fuse, make sure to use a new one of 2 amperes (maximum rating) fuse. If a fuse blows again, recheck wiring or have the unit bench tested at a service station before reoperating.
NOTE: The fuse is built in the unit with soldering.
7. Clean the tape head, capstans and pinch rollers once a month or after every 50 - 80 hours or use with a soft cloth or cotton soaked in head cleaner.
8. For trouble free usage of C-90 or C-120 cassette tapes, it is highly recommended that you use the higher priced, finer quality cassette cartridges.



CAUTION

Power to the unit must be turned off during speaker hook up to avoid possible damage due to accidental shorting of speaker wires.

Fig. 3

BUILT-IN TYPE (IN-DASH)

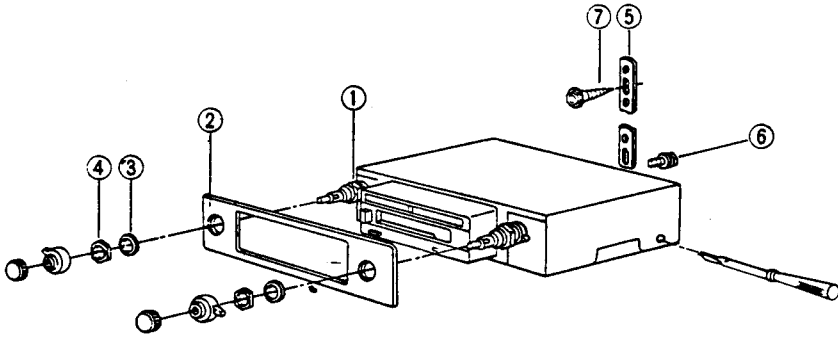
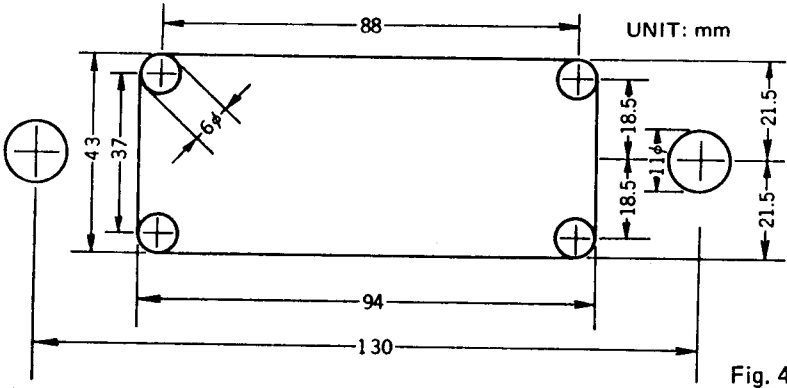
(See Fig. 4, 5)

Most cars have holes for radio installation in their dashboard. Disclose holes by removing dummy plate. If existing holes do not fit your unit, or holes are not provided, mark the location of the holes to be drilled referring to the dimensions shown in Fig. 4.

Caution: Before marking, check behind dash for any obstructions such as fuse block, instruments, control wires, etc.

1. Mount the speakers in the desired location and connect the wires as shown in Fig. 3.
2. The antenna connection is a female receptacle on the rear of the unit. The antenna cable from the car antenna should be plugged into this socket.
3. The Red lead wire should be connected to the fuse block, ammeter, ignition switch or other terminal where power is always available.
4. Remove the knobs, hex nut, hex screws, washers, and trim plate from the accessory package.
5. Install one hex nut ① on the control shaft for spacing adjustment.
6. Drill two 11mm diameter holes for the control shafts. Then drill four 6mm diameter holes just inside the corners of the rectangular cutout. Cut the dash along outline of the panel cutout shown in Fig. 4.
7. Position the unit through the dash, replace the trim panel ②, and secure with a washer ③ and hex nut ④ on each control shaft. Hex nuts ① should be adjusted so that approximately 5 threads (6mm) are visible outside of nuts ④. Install knobs.
8. Fasten rear support bracket ⑤ to back of player with hex screws ⑥. Bend the bracket as needed to reach the firewall or other structural support.

9. Mark and drill a 3.5mm hole in the support and attach the bracket with the screw (7).



IMPORTANT
ANTENNA TRIMMERS SHOULD BE
ADJUSTED FOR MAXIMUM VOLUME
AT 1400 kHz (AM).

Fig. 5

SPECIFICATIONS

Tape	Cassette
Tape speed	4.75 cm/s
Wow & flutter (JIS)	0.3% WRMS
Output power	Maximum 7.5W x 2 (at 14.4V, 4 Ω load)
Signal to noise ratio	35 dB
Crosstalk	35 dB
Frequency response	50 ~ 8,000 Hz
Speaker output impedance	4 Ω or 8 Ω
Frequency ranges	AM: 531 ~ 1,602 kHz FM: 87.5 ~ 108 MHz
Sensitivity (for 500 mW output)	AM: 20 μ V FM: 2 μ V
Power source (Battery voltage)	DC 12V (11 ~ 16V) Negative ground only
Dimensions	160(W) x 130(D) x 44(H) mm
Weight	0.9 kg

Technical data subject to changes without notice.