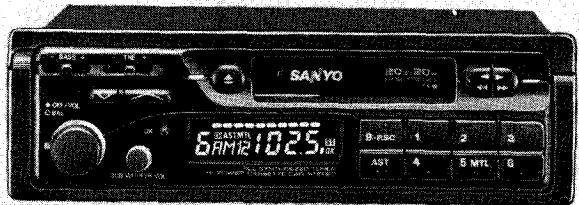
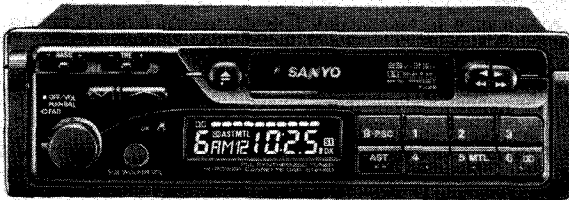


SANYO

INSTRUCTION MANUAL



(FX12)

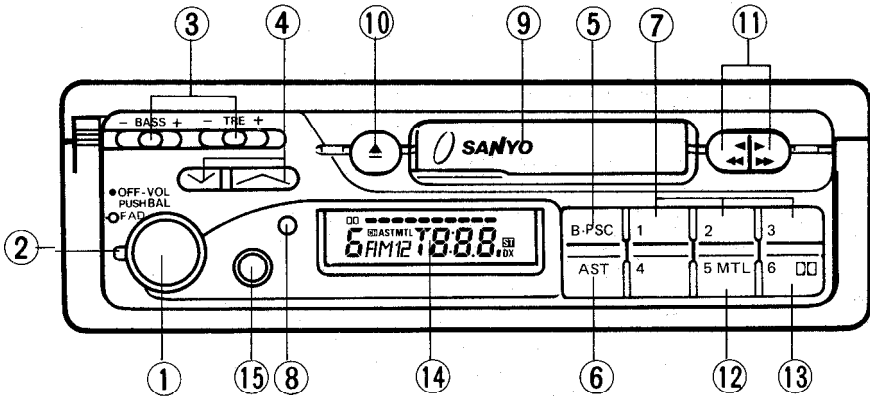


(FX22)

**FM STEREO/AM ETR Cassette
Receiver with Take-Out Security
System & Subwoofer Line-Out**

FX12, FX22

Thank you for purchasing SANYO's FX12 or FX22 cassette car stereo player. For proper operation and performance, read this instruction manual carefully.



■ CONTROL AND OPERATION

1) On-Off/Volume knob (OFF/VOL)

2) Balance control knob (BAL)

FX12 only

1) On-Off/Volume and Balance knob (OFF-VOL, push BAL)

FX22 only

The balance can be set by pushing and turning this knob at the same time.

2) Fader control knob (FAD)

This control sets the relative volume between the front and the rear speakers in the car.

NO TES:

- FADER control has no effect on the output when operating with a two speaker installation.

3) Treble/Bass control knob (TRE/BASS)

4) Tuning button (^ , v)

Manual Tuning

If the right button (A) or the left button (v) is pushed, the radio frequency on the digital display will count up or down.

Auto Tuning

Depressing and hold down the TUNING button for half a second will start automatic tuning.

The tuning process will be stopped when a strong signal is received.

5) Band button (B)

Select the desired radio band with the BAND select button. The radio frequency FM1, FM2 or AM will be shown on the digital display.

Preset Scan button (P. SC)

By pushing the preset scan button, you can tune in sequence, the memorized or preset stations for 5 seconds for each preset button 1 through 6 automatically. To stop scanning, touch this button again or the desired preset button.

6) Auto store button (AST)

Pressing momentary Auto Store Button, AST mode is engaged and AST indicator lights. Pressing this button for more than 2 sec., up to 6 stations are automatically preset in the AST memory (6 AM and 12 FM).

7) Preset buttons (1 to 6)

For presetting station, the unit has an electric memory circuit which is capable of memorizing 6 AM, 12 FM and 18 (AM and FM) Auto Store Stations for a total of 36 stations.

To memorize a program, tune in a desired station, and press and hold down the desired preset button for at least 1 seconds.

8) Distant/Local select button (DX)

For strong local FM signal reception, the distant/local select button (DX) should be in the local position. For a weak distant signal, the distant/local select button (DX) should be in the distant position. The distant position (DX) will be shown on the digital display.

9) Cassette Slot

10) EJECT button (▲)

To eject the cassette, depress this button.

11) Fast Forward, Fast Rewind and Reverse button (◀◀ , ▶▶ , ◀▶)

To advance or rewind the tape at high speed, depress (▶▶) button or (◀◀) button. To stop and return to normal playback, lightly press the button which is not pressed.

Reverse button

To reverse the tape direction, depress both buttons at the same time.

12) Tape selector button (MTL)

Set the tape select button (MTL) to select the proper equalization for the type of tape to be used. Press the button for Metal/FeCr/CrO₂ tape. Re-press the button for Normal tape.

13) Dolby NR button* (□□)

—————FX22 only—————

Set the Dolby NR select button (□□) to the proper position according to whether the cassette tape has been recorded with Dolby N R (B type) or not.

* Dolby noise reduction manufactured under license from Dolby Laboratories Licensing Corporation.
"DOLBY" and the double-D symbol □□ are trademarks of Dolby Laboratories Licensing Corporation.

14) LCD display

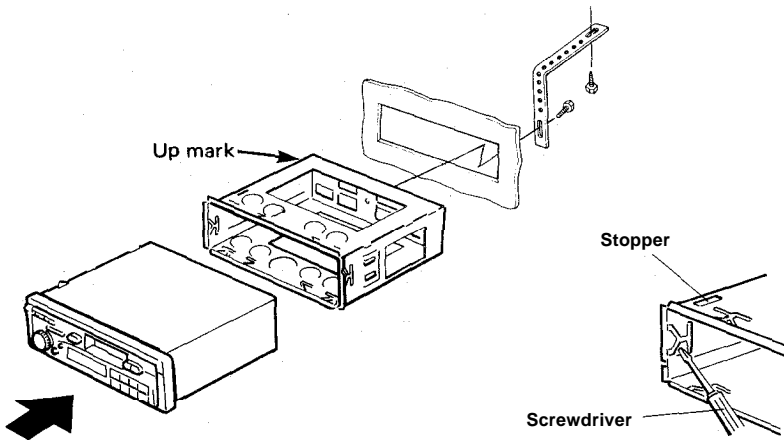
15) Subwoofer volume knob (SUBWOOFER)

Adjust the Subwoofer volume by turning this knob.

NO TES:

~ Subwoofer control has no effect when not using line output,

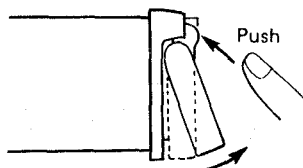
■ INSTALLATION



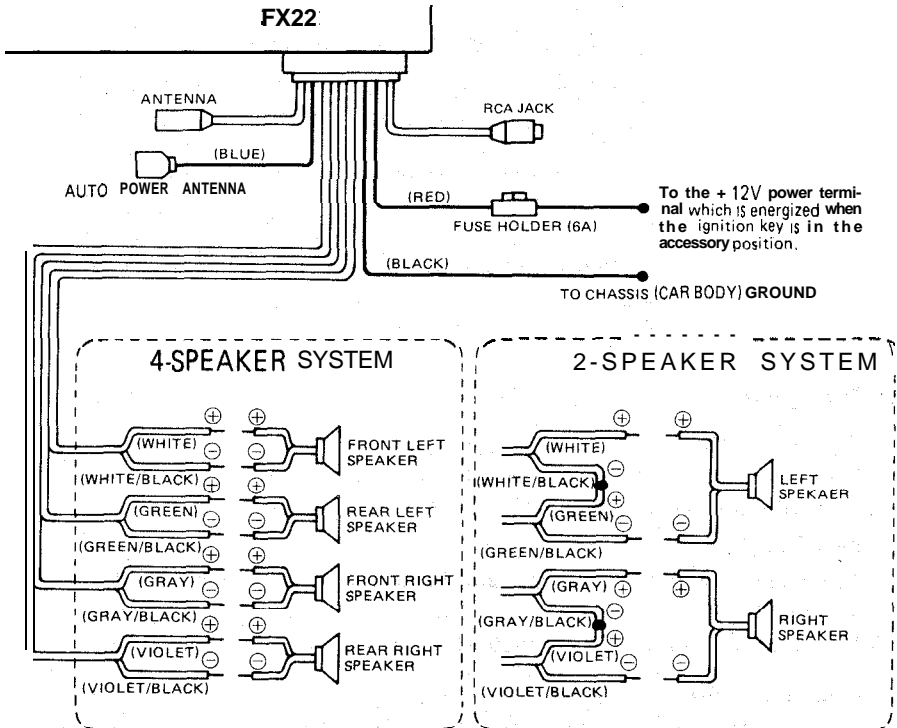
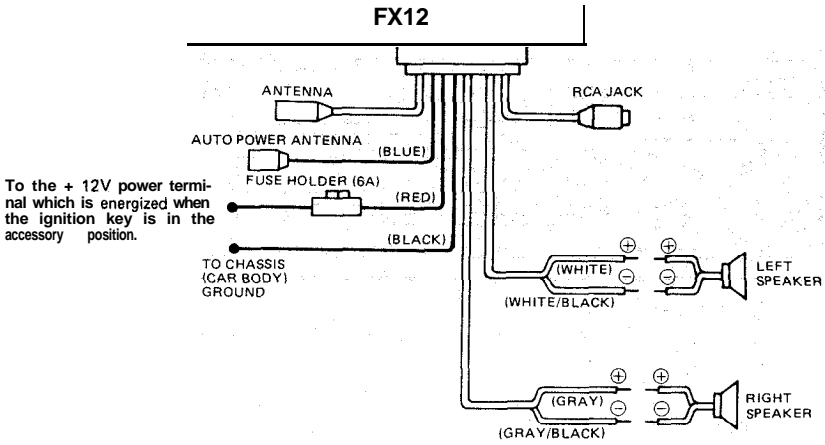
1. Insert mounting bracket into DIN-standard cutout 182 x 53 mm in the dashboard or a console.
The side marked "UP" should be up.
2. Bend the stoppers of the mounting bracket with a screwdriver, and secure the bracket firmly to the dashboard.
3. Fix the mounting bracket by using the mounting hardware supplied.
4. Insert the set into the mounting bracket until it locks.

SET REMOVAL

1. Push the upper edge on left sides of the handle to raise the handle.
2. Pull the handle to remove the set.

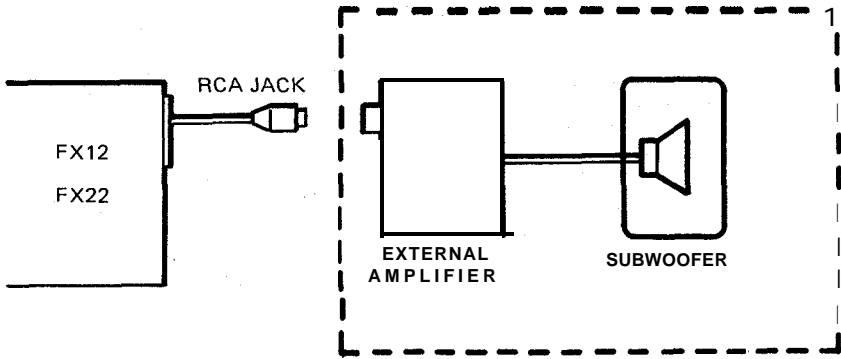


SPEAKER CONNECTIONS



■ SUBWOOFER SYSTEM

Connect the optional external amplifier and the Subwoofer to the RCA line-out jack.



■ MAINTENANCE

1. When the car stereo is not in use, remove the audio cassette from the tape player.
2. Cassette shells may warp, keep them out of direct sunlight. The shell should not be exposed to heat exceeding 130 degrees.
3. Never place an audio cassette tape in the vicinity of a strong magnetic field.
4. When replacing the fuse, make sure to use a new 6 ampere (maximum rating) fuse for main power.
If a fuse blows again, recheck wiring or have the unit bench tested at a service station.
5. Clean the tape head, pinch roller and capstans at least once a month using a quality audio head cleaning cassette.

SANYO Electric Co., Ltd.
Printed in Japan

1RA6P10A07000A