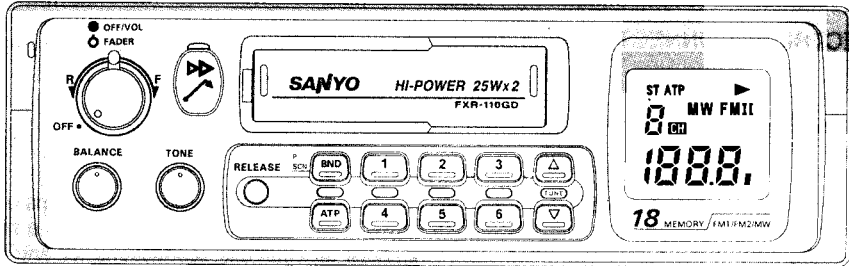




FXR-110GD



FXR-110GD

Compact Panel Detachable Din-Size FM-Stereo / MW ETR Cassette Receiver with Auto-Travel Preset Tuning

- (English)
OPERATING INSTRUCTIONS 1 ~ 10
- (Español)
INSTRUCCIONES DE OPERACIÓN..... 11 ~ 20
- (اللغة العربية)
كيفية التشغيل 21 ~ 30

GB

E

A

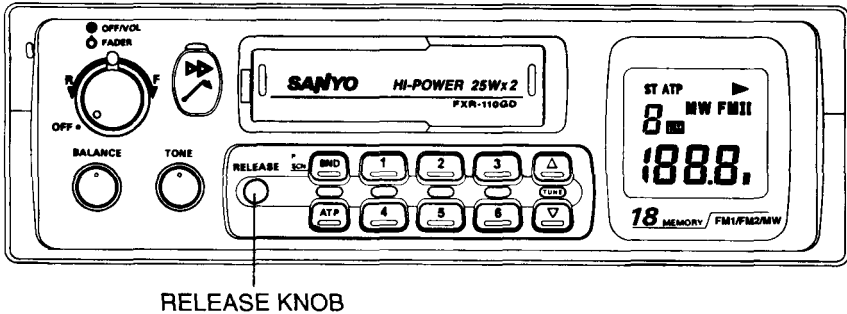
CONTENTS

DETACHABLE FRONT PANEL	2
GENERAL OPERATION	3
TAPE OPERATION	4
RADIO OPERATION	5
ACCESSORIES AND HARDWARE	7
INSTALLATION	8
UNIT REMOVAL	8
ELECTRICAL CONNECTIONS	9

CAUTION

- This unit is designed to operate on 12 volts DC, **NEGATIVE** ground electrical systems only.
- When fuse replacement is necessary, use only a 6 amp fuse. Do not replace with a higher rated fuse. If the fuse blows often, carefully check all electrical connections for any short circuits and have your car's voltage regulator checked also. Do not attempt to repair the unit by yourself; return the unit for servicing to your nearest SANYO car audio dealer.
- The highly-polished playback head should not come into contact with any metallic or magnetic tools.
- Clean the tape head, pinch roller, and capstans at least once a month using a quality audio head-cleaning cassette.
- To avoid possible system trouble, do not use tapes with wrinkled or half-peeled labels.

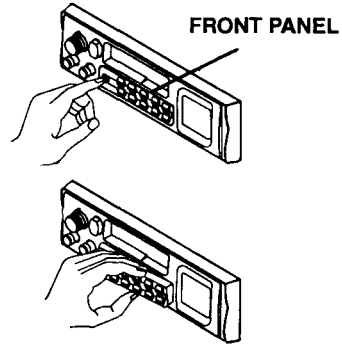
DETACHABLE FRONT PANEL



Part of the front panel can be removed to prevent theft.
When leaving the vehicle, we recommend you to remove this section and take it with you.

HOW TO DETACH

- 1 Push the release knob.
The removable panel will swing out as shown in the illustration.
- 2 Pull the panel out.
If the panel is not thrust out much, press the detachable panel as illustrated.



HOW TO REPLACE

Align the right side of the panel with the stopper, and then push the left side of the panel into the unit until it clicks.

Note

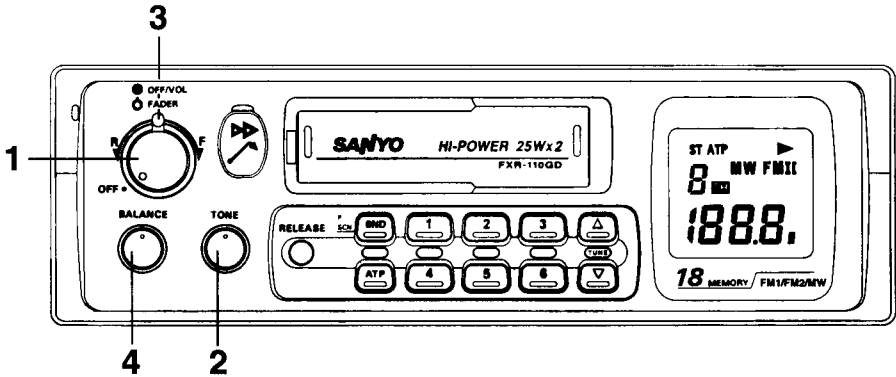
The unit will not operate with the front panel incorrectly installed.

CAUTION

- Do not attempt to remove the panel in a manner other than described above.
- When installing the panel, do not force it into the unit.
- Use a clean, dry cloth when cleaning the terminals.
- Keep the panel out of direct sunlight and high temperatures.
- Prevent the panel from coming into contact with benzene, thinner, or insecticides.
- Do not drop the panel.

GB

GENERAL OPERATION



TURNING ON THE UNIT

Install the front panel and turn knob ① clockwise.

POWER OFF 1

Turn knob ① counterclockwise.

VOLUME CONTROL 1

To increase volume, rotate knob ① clockwise. To reduce, rotate counterclockwise.

TONE CONTROL 2

To control the tone, rotate knob ② clockwise to enhance high-frequency sound, and counterclockwise to enhance low-frequency sound.

BALANCE CONTROL 4

To control the balance, rotate knob ④ clockwise to shift the sound to the right channels and counterclockwise to left channels.

FADER CONTROL 3

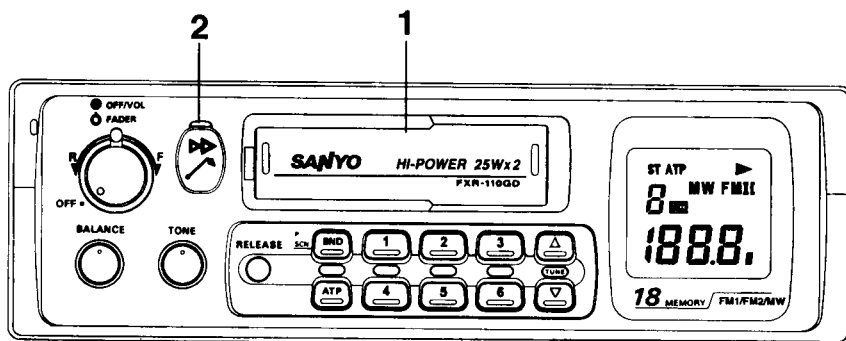
This control adjusts the volume balance between the front and rear speakers. Rotate knob ③ clockwise to shift the sound to the front speakers, and counterclockwise to the rear speakers.

Note

The FADER control has no effect on the output when using a two speaker installation. Under this condition, set the FADER control to the center position.

GB

TAPE OPERATION



SELECTING TAPE MODE

Insert a cassette into the tape slot ① and the tape player will start.
The unit plays the upper side of the tape.

FAST FORWARD2

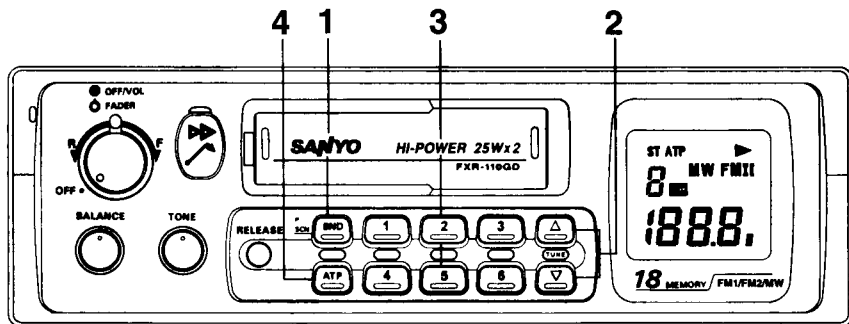
Lightly press button ② to fast-forward the tape.
After fast forwarding, lightly press the button again to resume playing.

EJECTING A TAPE2

Press button ② to eject a tape.
The unit turns radio mode and receives the last tuned station.

GB

RADIO OPERATION



SELECTING RADIO BAND

Press button ① to select the desired band while in radio mode.



RADIO TUNING2

- Manual tuning To select higher frequency stations, press the ▲ button (for less than 0.5 seconds)
To select lower frequency stations, press ▼ button.
To quickly scan up or down in frequency, press and hold the ▲ or ▼ button. Release and press again the button when the desired frequency appears on the display.
 - A flashing decimal point in the frequency display indicates that the system is receiving a station 50 kHz higher than the displayed frequency.
- Automatic tuning Press the ▲ or ▼ button for more than 0.5 seconds. When the button is released, the system will start automatic tuning and stop at the next receivable station.

STORING PRESET STATIONS3

The preset buttons can be used to store 6 stations in each band (FM1, FM2, MW) for quick tuning.

- Programming stations ① Select the desired band and tune in the station you want to store in memory.
② Press and hold one of the preset buttons for more than 1.5 seconds. Repeat step ① and ② to program further station.
- Quick tuning Select a desired band and press one of six preset buttons

ATP (AUTO TRAVEL PRESET)4

- When the ATP button ④ is pressed for 2 seconds or more, ATP is displayed and the radio automatically memorizes up to 6 stations beginning with the one with the strongest signal.
- When the ATP button ④ is pressed for less than 2 seconds, the first memorized station is recalled. To recall the stations one after another in the order they were memorized, repeatedly press this button quickly.

Note

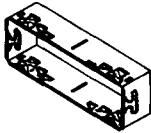
- *If the signal levels of the broadcasting stations are so weak that no station can be ATP memorized, "000" is displayed and no sound reproduced.*

PRESET SCAN (P.SCAN)1

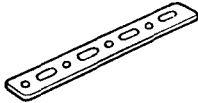
Press the BAND button to select the desired band. Then press and hold in the Preset Scan (P.Scan) button until the channel number in the display flashes. The unit will automatically scan the preset stations on the band selected, stopping on each one for approximately 5 seconds. When a station that you wish to listen to is heard, press the Preset Scan (P.SCAN) button again. Preset Scan will automatically stop and the unit remain on the station.

GB

ACCESSORIES AND HARDWARE



Mounting Bracket



Back Strap



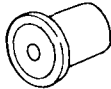
Hex Bolt M5 x 8



Screw M5 x 13



Pin



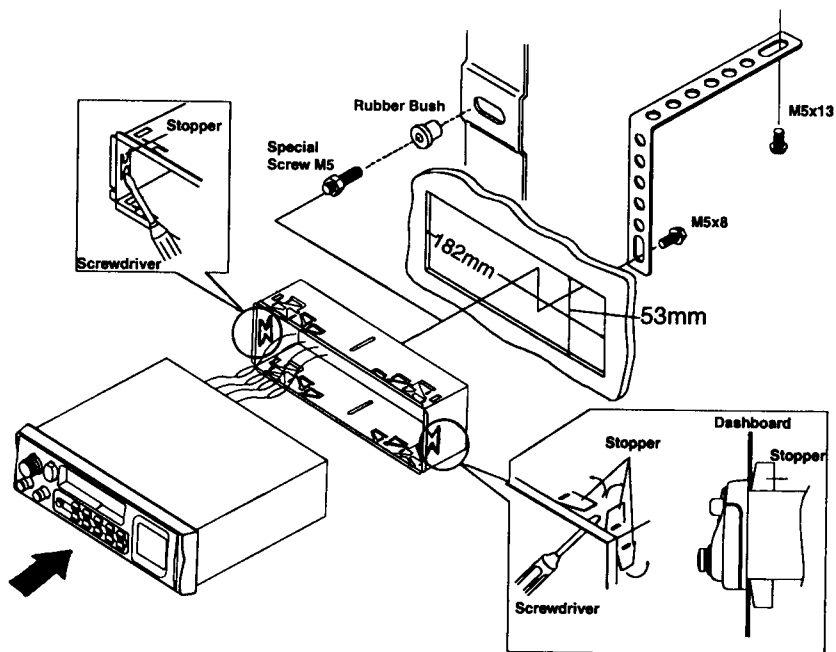
Rubber Bush



Special Screw M5

GB

INSTALLATION

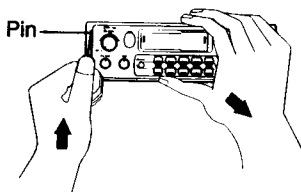


1. Insert the mounting bracket into a DIN-standard size cutout 182 x 53mm in the dashboard or console.
2. Bend the stoppers of the mounting bracket with a screwdriver, and secure the bracket firmly to the dashboard.
3. Secure the rear strap to the mounting bracket and vehicle dashboard using the supplied hardware.
4. Insert the unit into the mounting bracket until it locks in place.

GB

UNIT REMOVAL

1. Insert the supplied pin into the small hold located on the upper left side of the panel.
2. Move the pin up then pull out the unit.

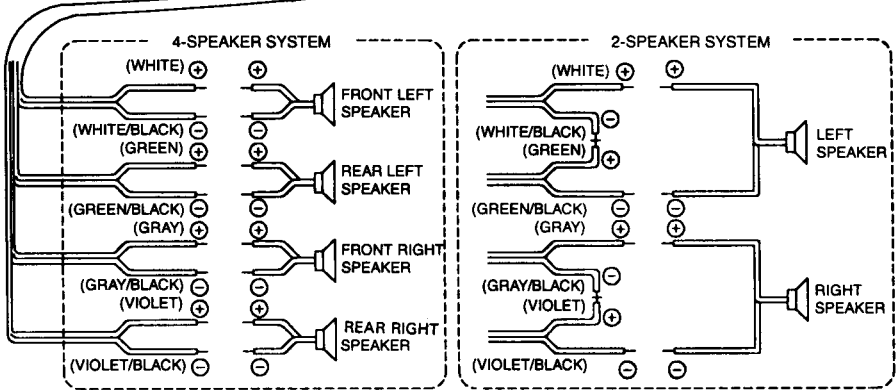
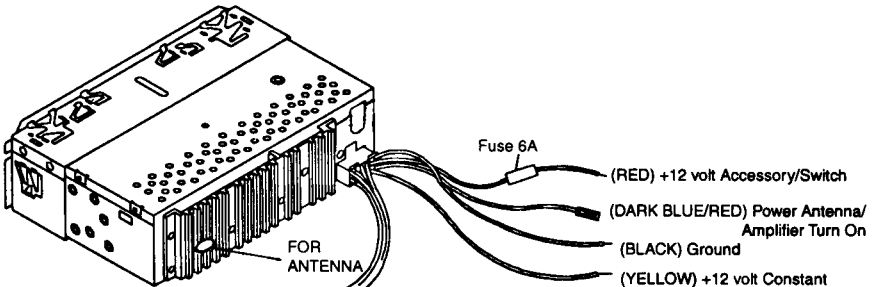


ELECTRICAL CONNECTIONS

Make all electrical connections before tuning ON the unit. If you are not confident in your ability to install this unit correctly, have it install by a professional auto sound installation technician.

NOTE :

This unit is designed to be opened on +12 volts DC negative ground systems. If your vehicle does not provide this type of power source, a voltage inverter/converter will be needed to operate this unit. This can be purchased from a car audio dealer..

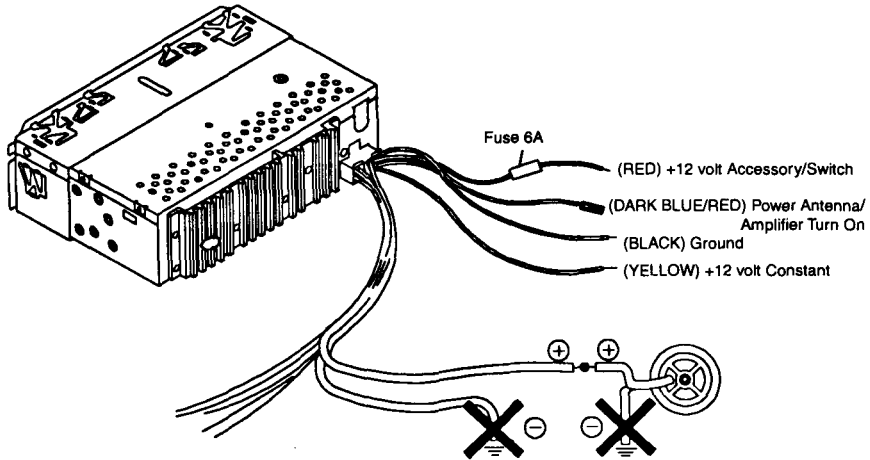


GB

- DOT NOT connect any speaker wires to the metal body or chassis of the vehicle
- DO NOT connect the speaker common (-) wires to the each other.
- Connect each speaker wire directly to each speaker terminal.
- All speaker common (-) wires remain floating.

CAUTION :

- (1) Do not connect the speaker wires to the metal body or chassis of the vehicle.



- (2) Do not use the speaker wiring harness installed in the vehicle from the factory.
- (3) When installing the wiring connector, be certain that it is fully inserted into the jack on the rear of the unit, until it locks in place. To disconnect the connector, push down on the lock tab and pull the connector out.
- (4) When not using an automatic antenna, cover the terminal of the dark blue/red wire (Power Antenna/Amplifier Turn ON) with electrical tape, to prevent it from shorting to the unit or the vehicle chassis.
- (5) When using a two-speaker installation, twist the White/Black and Green wires together and cover the exposed end with electrical tape. This is to prevent the wires from shorting to the vehicle chassis. Of this is not done and a short occurs, the power output IC in the unit can be damaged.

GB

SANYO Electric Co., Ltd

Printed in Malaysia

1MQ6P10B18900