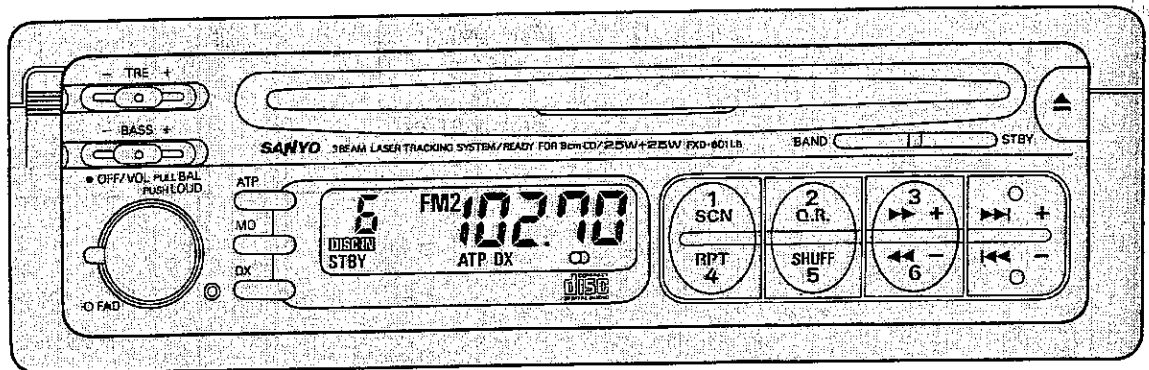


SANYO

OPERATING INSTRUCTIONS MODE D'EMPLOI MANUALE DI ISTRUZIONI LIBRITO DE INSTRUCCIONES INSTRUÇÕES DE OPERAÇÃO



Take-out AM/LW/FM Stereo Compact Disc Player with Built-in High Power Amplifier

| | |
|-----------------|---------|
| English | 4 ~ 11 |
| Français | 12 ~ 19 |
| Italiano | 20 ~ 27 |
| Español | 28 ~ 35 |
| Português | 36 ~ 44 |

FXD-601LB

ELECTRICAL CONNECTIONS

4 Speaker System

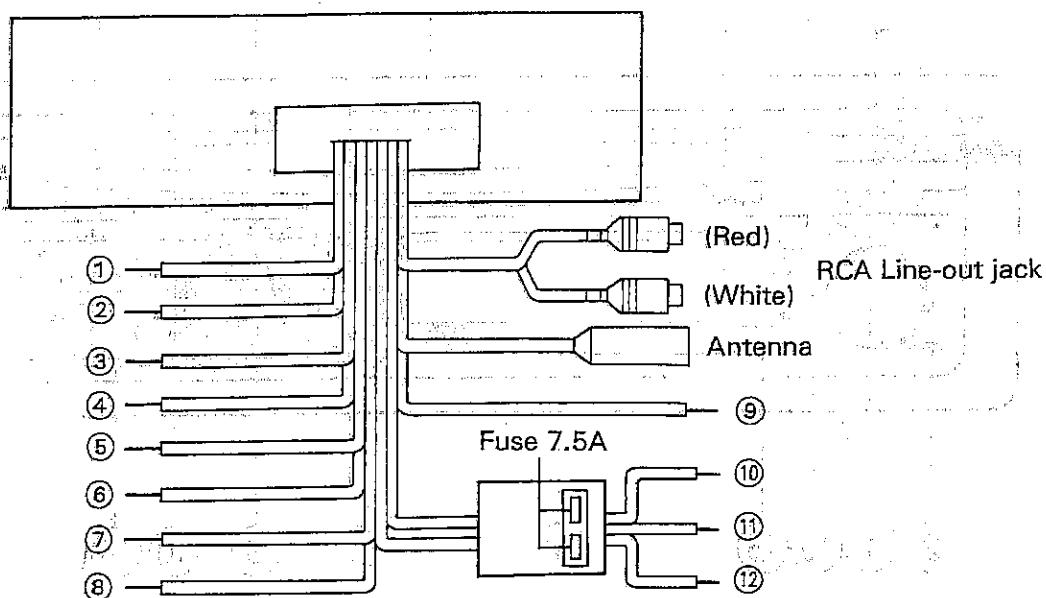


Fig. 1

RCA Line-out jacks

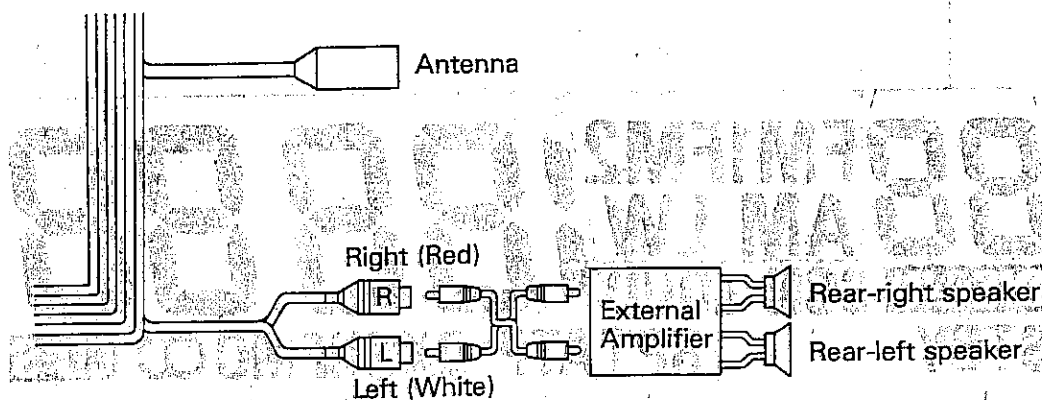


Fig. 2

LOCATION OF OPERATION

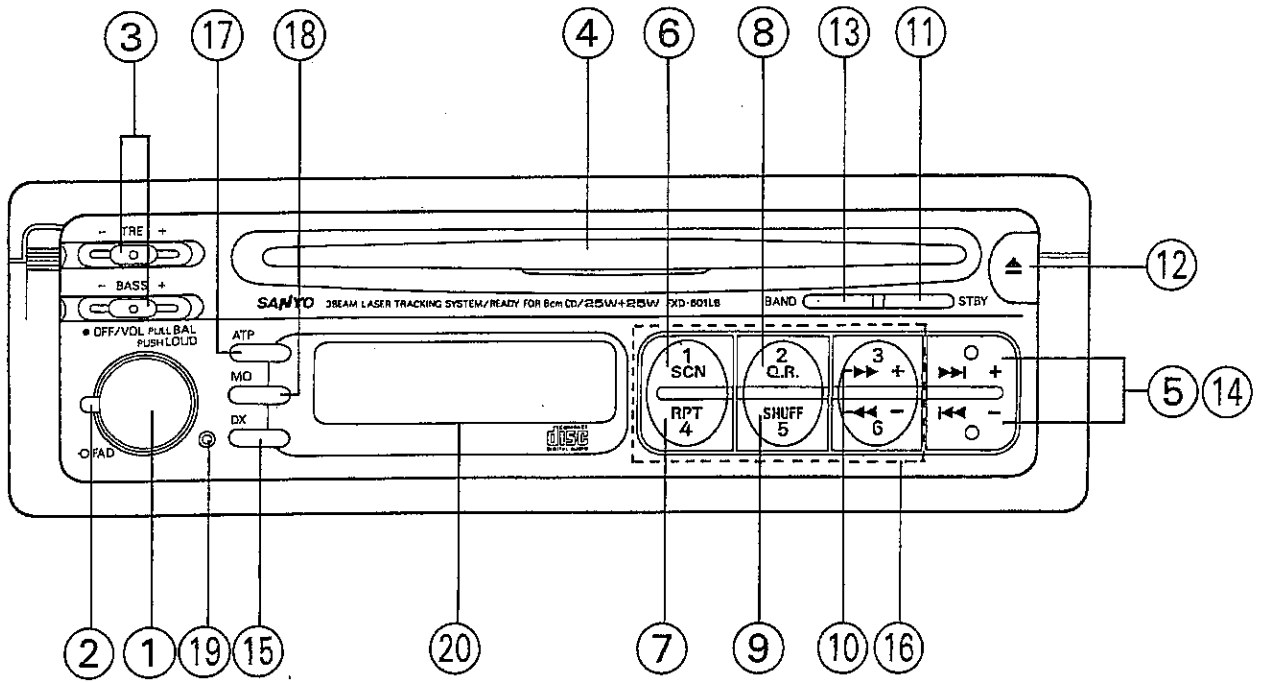


Fig. 3

DIGITAL DISPLAY

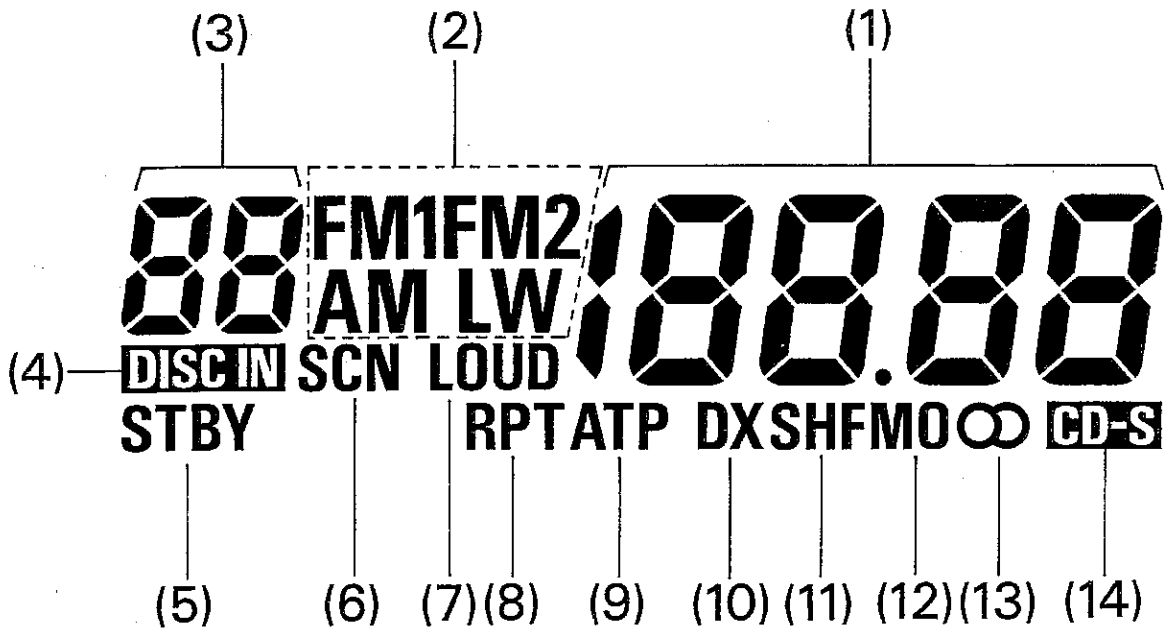
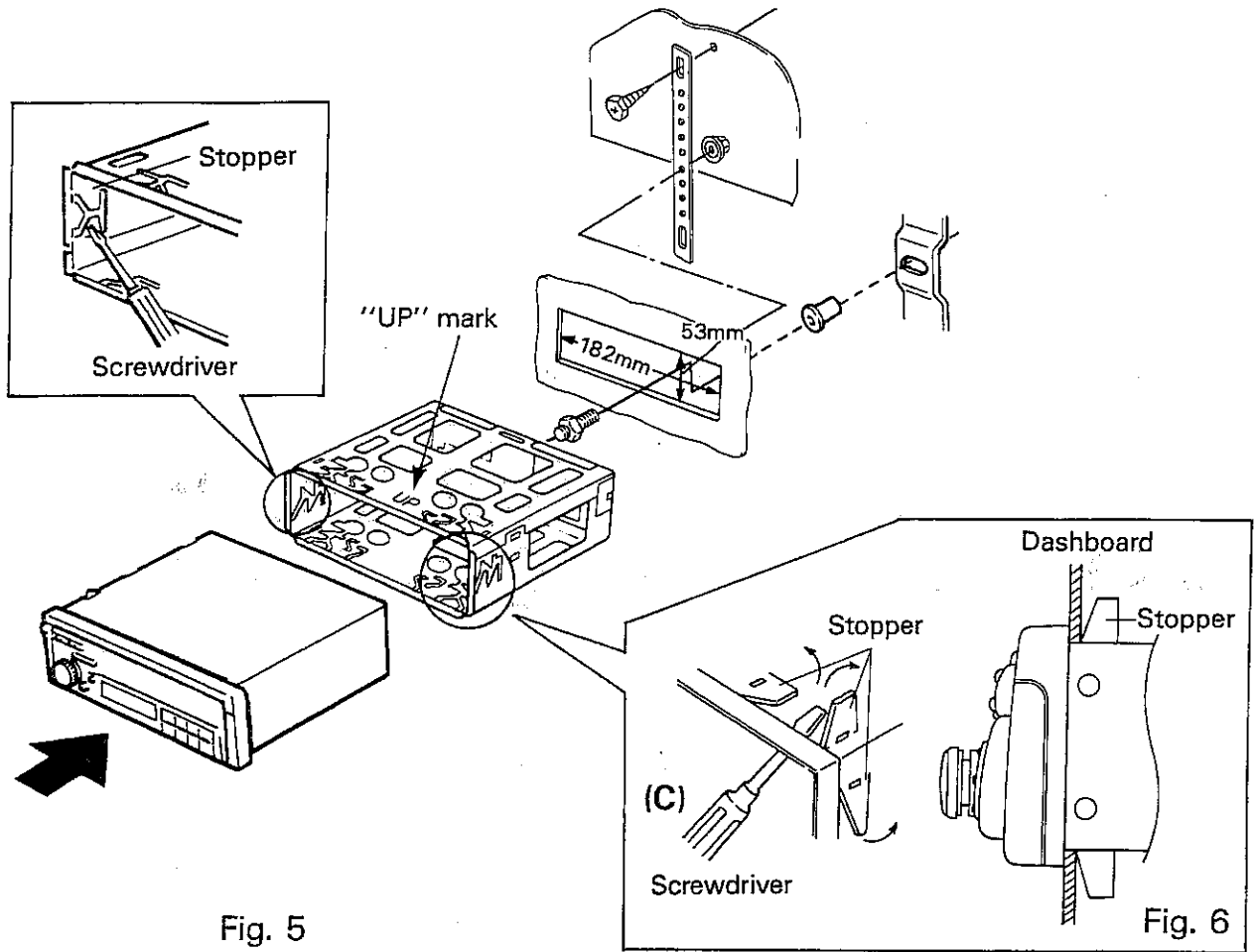
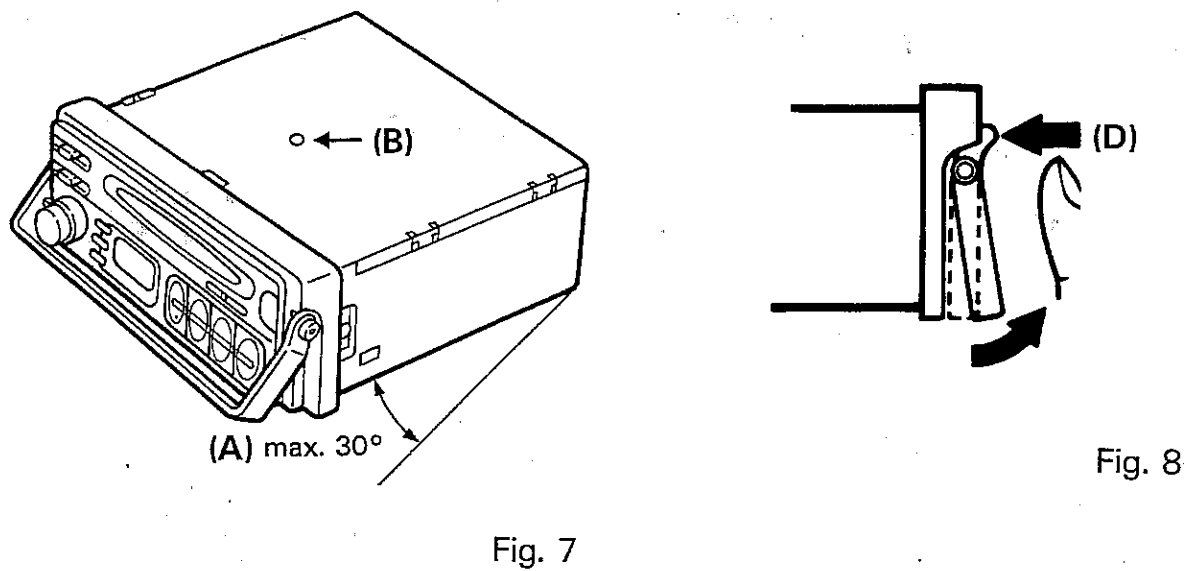


Fig. 4

INSTALLATION



SET REMOVAL



OPERATION

- ① Power on-OFF/VOLUME/PULL BALANCE/PUSH LOUDNESS knob (OFF/VOL PULL BAL PUSH LOUD)
- ② FADER control (FAD)
- ③ TREBLE/BASS control (TRE/BASS)
- ④ Disc slot
- ⑤ Forward and Backward Access button (▶▶|+, |◀◀-)
- ⑥ SCAN button (SCN)
- ⑦ Repeat button (RPT)
- ⑧ Quick Return button (Q.R.)
- ⑨ Shuffle play button (SHUFF)
- ⑩ QUE/REVIEW button (▶▶+, ◀◀-)
- ⑪ Standby button (STBY)
- ⑫ Eject button (▲)
- ⑬ BAND select button (BAND)
- ⑭ Seek & Manual tuning button (▶▶|+, |◀◀-)
- ⑮ Local/Distans button (DX)
- ⑯ Preset button (1-2-3-4-5-6)
- ⑰ Auto Travel Preset button (ATP)
- ⑱ Stereo/Mono button (MO)
- ⑲ Reset button
- ⑳ Display

DIGITAL DISPLAY

- | | |
|---------------------------------------|---|
| (1) Time and Frequency indicator | (8) Repeat indicator (RPT) |
| (2) Band indicator (FM1, FM2, AM, LW) | (9) Auto Travel Preset indicator (ATP) |
| (3) Track/Channel Number indicator | (10) Distant/Local indicator (DX) |
| (4) Disc Set indicator (DISC IN) | (11) Shuffle play indicator (SHF) |
| (5) Standby indicator (STBY) | (12) Mono indicator (MO) |
| (6) Scan indicator (SCN) | (13) Stereo indicator (⊙) |
| (7) Loudness indicator (LOUD) | (14) Small Disc (3 inch) Set indicator (CD-S) |

PARTS AND CONTROLS

Common Function

- **Power on/OFF — Balance control (• OFF/VOL PULL BAL) . . . ①**
Turn clockwise to turn on the unit and for volume. While pulling out the control, turn it to adjust the balance of the right and left channels.
- **Fader control (FAD) . . . ②**
Turn clockwise to increase the volume of the rear speakers, or counterclockwise to increase the volume of the front speakers.
- **Bass and treble controls (BASS, TRE) . . . ③**
This controls the Bass/Treble response. Slide the knob(s) to the right to increase, or to the left to decrease the Bass/Treble response.
- **Loudness switch (LOUD) . . . ①**
Push this knob the Bass and Treble range are emphasized at low listening level.

HOW TO PLAYBACK CD

1. Normal Playback

- Turn the power on by turning the Power On/Off Volume Control ① clockwise.
- Insert a compact disc into the Disc Slot ④ with the label surface facing up. Playback starts at the beginning of the first selection. The "DISC IN" indicator will appear, track number and play time (minute and second) are displayed in the digital display (Elapsed time mode).
- After the whole disc has been played, the pickup will automatically return to the beginning of the disc and playback will start again.
- To take out the disc, press the Eject button (▲) ⑫. The disc will come out automatically.
- To stop the disc play, turn the power off. To resume the disc play, turn the power on. Playback will start at the last track number.

NOTE:

- *Once you remove the unit and you insert it again, the play will start at the first track.*
- *A 3-in. CD (Small Disc) needs no adaptor when set.*

SELECTION SEARCH

1. To search for a particular selection (▶▶|+, |◀◀-)

If you wish to search a selection, push the forward and backward access button ⑤ until the desired track number is indicated on the digital display.

- Press the (▶▶|+) button: the track indicator (3) will indicate the next TRACK number; the unit will search the beginning of the next selection and start to play it. To search for the selection further ahead, press the button until the desired TRACK number is indicated on the display.
- Press the (|◀◀-) button: the beginning of the selection being played is searched for. To look for the selection further back, push the button until the desired TRACK number is indicated on the display.

2. To search for a particular point in a selection

Press the CUE (▶▶+) and REVIEW (◀◀-) buttons ⑩ to rapidly advance or return to the desired point of the disc during playback.

NOTE:

- When you have passed the end of the disc keeping the CUE button pressed, the search will stop at that point.

3. Intro scanner play (SCN)

If you wish to scan the selection, push the button ⑥. The digital display will indicate "SCN", and the TRACK selection number.

The laser pickup advances to the beginning of next selection, and the unit starts to play it for 10 seconds, then scan on the next selection for 10 seconds and so on. Select the selection by repressing the SCAN button, causing to stop instantly at that position.

4. Repeated playback (RPT)

If you wish to repeat the playback of only one selection on the disc, push the repeat button ⑦. The "RPT" indicator will appear in the display.

To cancel the repeated playback, push the repeat button once again.

5. Quick return play (Q.R.)

During playback, if you wish to start again from the beginning of the first selection press the QUICK RETURN button ⑧.

6. Shuffle play (SHUFF)

If you wish to random play the selection, push the SHUFFLE PLAY (SHUFF) button ⑨.

The "SHF" indicator will appear in the digital display.

To cancel the shuffle play, push the SHUFFLE button ⑨ again.

7. Stand by function (STBY)

During ordinary playback, press the STAND BY button ⑪ if you want to pass instantly to radio mode. Repress the button to resume the disc playback from the same point.

TO LISTEN TO RADIO

1. Turn the power knob ① to on.

2. Band select (BAND)

Select the desired radio band with the Band Selector button ⑬. The radio frequency (1) and the chosen band (2) will be shown in the display.

3. Seek & Manual tuning (▶▶|+, |◀◀-) . . . ⑭

Depressing shortly (▶▶|+) or (|◀◀-) button, the radio frequency on the digital display will count up or down.

While depressing (▶▶|+) or (|◀◀-) button half a second more, will start SKIP tuning towards higher or lower frequency. When you remove your finger from the button (▶▶|+), (|◀◀-), automatic tuning start automatically. The tuning process will be stopped when a strong signal is received.

4. Stereo/Mono button (MO)

When receiving to FM broadcasts, press the Stereo/Mono button ⑱. The unit will automatically switch to stereo or mono as you tune into different stations.

The FM stereo indicator "∞" will indicate on the display when an FM stereo broadcast is being received. In some case, when the stereo reception is too noisy, press the Stereo/Mono button ⑱ for noise-free More reception.

5. Distant/Local button (DX) . . . ⑲

This button has an influence on the STOP level of automatic tuning.

LO position: only stronger local signals are selected.

DX position (DX): also weaker stations with lower signal level will be selected.

This applies to FM band.

6. How to preset stations (1-2-3-4-5-6)

Select the desired band and then tune to the broadcasting station which has to be memorized with the Manual or Automatic tuning. Press and hold down the desired preset button ⑳ at least 2 seconds until the programme number indicator will appear in the display. Follow the same procedure to preset the second station and so on (up to 6 presets for each band).

To recall a preset station, just press the related preset button and you will instantly receive that station.

7. Auto travel preset (ATP)

This unit is equipped with the latest in automatic memorization technology to receive broadcasting stations present in a specific area. Up to 12 stations can be automatically memorized (6 × FM/LW or AM). By pressing the ATP button ㉑ for at least 2 seconds until the "ATP" indicator starts flashing, the automatic tuning will seek the best and strongest first 6 stations (in the specific band you are listening to) and will memorize them automatically on preset memories.

After depressing the Auto-Travel Preset button ㉑ again, the "ATP" indicator goes out and the regular station memory can be recalled by using the presets as usual.

RESET BUTTON FUNCTION

Reset button (19) is placed on the front panel and must be activated with either a pen or thin metal object. It is recessed to prevent accidental engagement in which memory programme for disc playback will be cleared. Therefore, the reset button is to be activated for the following reasons:

1. Initial installation of the unit when all wiring is completed.
2. When CD player is not functioning properly and the unit is not accepting the disc.
3. The disc is accepted but numeric indications are erratic or time readout is constantly 0:00. The reset circuitry is provided to protect the unit's microprocessor and laser guidance system. Remember that every time the reset button is activated all disc programming and are erased, thus requiring reprogramming of the unit.

INSTALLATION

- When mounting the unit in your car, make sure the unit is level. If you cannot mount the unit level due to your car design, make sure there is no more than 30 degrees tilt up (A).
- In order to protect the disc player from shocks during shipping, a shipping screw is attached to the disc player (B). Remove the screw. The player cannot play a compact disc with the bracket attached.

INSTALLATION WITH MOUNTING KIT

1. Insert mounting bracket into DIN-standard cutout 182 x 53 mm in the dashboard or a console. The side market "UP" should be up.
2. Bend the stoppers of the mounting bracket (C) with a screwdriver, and secure the bracket firmly to the dashboard.
3. Fix the mounting bracket by using the mounting hardware.
4. Insert the unit into the mounting bracket until it locks.

SET REMOVAL

1. Push the left sides of the handle to raise (D).
2. Pull the handle to remove the unit.

CAUTION

- *Never leave a disc. If a disc remains in the unit, the disc or the CD player may be seriously damaged in transportation.*
- *To protect the CD player, turn off the power switch before dismounting the set.*

NOTE:

- *When the unit is re-installed, return the handle to the original position.*

ELECTRICAL CONNECTIONS

- In order to prevent shorts, switch the ignition key off and disconnect the (–) terminal of the battery while connecting the wires for the disc player.
If your car has a drive computer or a navigational computer, disconnecting the (–) terminal will erase their memories, so in this case connect the disc player with the battery connected, but be very careful not to cause any shorts.
All connections should be soldered and insulated with electrical tape.
- Connect the red power input lead only after all other leads have been connected.
- Be sure to connect the red power input lead to the positive 12V power terminal which is energized when the ignition key is in the accessory position.
- Run all ground wires to a common ground point.
- After connection is completed, be sure to press the RESET button ⑰.

1. 4 Speaker System

- | | |
|---------------------------------------|-------------------------------------|
| ① Rear Right Speaker ⊕ (Violet) | ⑦ Rear Left Speaker ⊕ (Green) |
| ② Rear Right Speaker ⊖ (Violet/Black) | ⑧ Rear Left Speaker ⊖ (Green/Black) |
| ③ Front Right Speaker ⊕ (Gray) | ⑨ Power ANT (Blue) |
| ④ Front Right Speaker ⊖ (Gray/Black) | ⑩ +12V Main power supply (Red) |
| ⑤ Front Left Speaker ⊕ (White) | ⑪ Memory + B (Yellow) |
| ⑥ Front Left Speaker ⊖ (White/Black) | ⑫ To chassis ground (Black) |

2. 2 Speaker System

- | | |
|--------------------------------|--------------------------------|
| ③ Right Speaker ⊕ (Gray) | ⑨ Power ANT (Blue) |
| ④ Right Speaker ⊖ (Gray/Black) | ⑩ +12V Main power supply (Red) |
| ⑤ Left Speaker ⊕ (White) | ⑪ Memory + B (Yellow) |
| ⑥ Left Speaker ⊖ (White/Black) | ⑫ To chassis ground (Black) |

NOTE:

- The FADER control will have no effect on the output when using a two speaker installation. Under this condition, set the FADER control to the front position.
- When not using an automatic antenna, cover the ends of Blue wire with electrical tape, to prevent it from shorting to the unit or the vehicle chassis.
- When using a two speaker installation, the Violet, Violet/Black, Green and Green/Black wires, which are used for a four speaker installation, are not used. The ends of these wires must be covered with electrical tape, to prevent it from shorting to the unit or vehicle chassis.

3. RCA Line-out jacks

Connect the left and right channel RCA Line-out jacks on the FXD-601LB, to the left and right channel Line-input jacks on the external power amplifier.

FOR SAFE AND EFFICIENT OPERATION

1. This player is only for use with 12V power. It cannot be used in 24V vehicles (trucks and buses)
2. When installing this player, avoid the following locations:
 - Extremely hot places, such as those exposed to direct sunlight or hot air coming directly from a heater.
 - Damp places or those where the player can get wet, such as places exposed to blowing rain.
 - Dusty locations.
3. When cleaning out the car, be sure not to get any water on the player because it can be damaged.
4. Sometimes the player will not function properly in extreme heat or cold. In this case, wait until the temperature in the car is more normal, then use the player. Closed up cars in summer get very hot. If the temperature inside the player goes above its reference temperature, a protective circuit automatically stops the play and ejects the disc. In this case, open the window to cool off the car, then start up the player again.
5. Condensation
During cold weather, moisture drops sometimes form on the optical lens of the disc player after the heater is turned on. This is called condensation. On a rainy day or in a very damp area, moisture may condense on the laser lenses inside the unit. With this condensation on the lens, the disc player cannot read the disc and therefore cannot function properly. The time required depends on the surroundings, but if you remove the disc from the player and wait for about an hour, the condensation will evaporate and the disc player will be able to function properly again.
6. Sound skip
If you are driving on a rough road, sound may sometimes be skipped. It is inevitable and will not cause any damage, disc scratches etc.
7. Never put any other object in the insert slot for compact discs. The inside of the disc player is precision equipment that could be damaged by any foreign objects.
8. When not using the disc player, do not forget to remove the compact disc. Do not leave an ejected disc sitting on the edge of the disc player for a long time. This can expose the disc to direct sunlight and other causes of warping. Keep the discs in their cases away from direct sunlight.
9. To prevent accidents, keep the sound low enough to enable you to hear outside sound when driving.
10. Do not try to open the disc player nor to repair it. The inside of the disc player is precision equipment, so if there is any problem, bring it to the store where you purchased it for servicing.
11. Do not attempt to clean the unit with chemical solvents as this might damage the finish. Use a clean, dry cloth.

HANDLING THE DISCS

Dirt, dust, scratches and warpage cause sound skips during playback and a deterioration of sound quality.

How to the care of your discs:

1. Use compact discs that have the mark shown on the left.



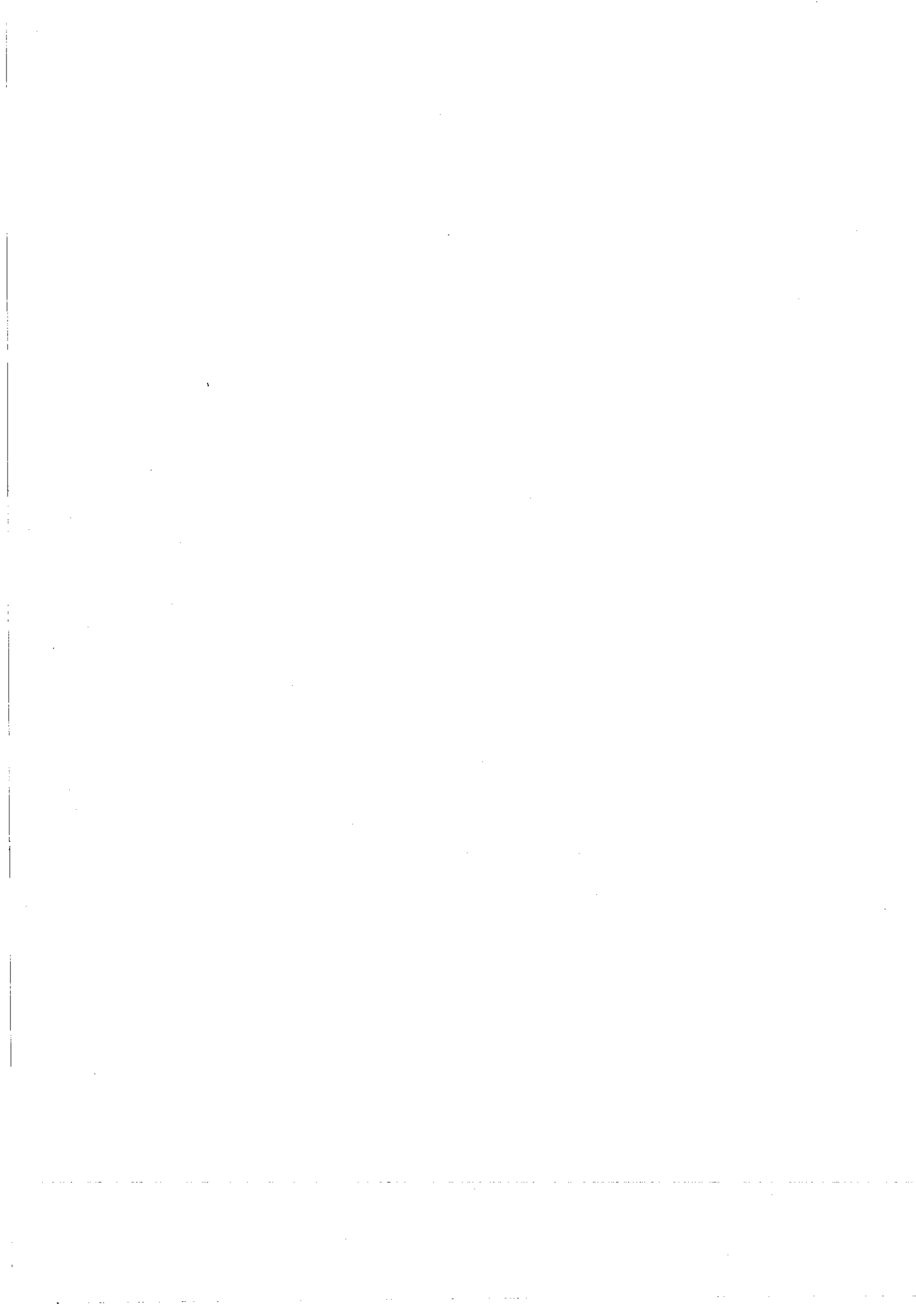
2. Fingerprints and dust should be carefully wiped off the disc's signal surface (glossy side) with a soft cloth. Unlike conventional records, the compact disc has no grooves to collect dust and microscopic debris, so gently wiping with a soft cloth should remove most particles. Wipe in a straight motion from the inside to the outside of the disc. Small dust particles or light stains will have absolutely no effect on reproduction quality.

3. Never use such chemicals as record sprays, antistatic sprays or fluid, benzine or thinner to clean compact discs. Such chemicals would irreparably damage the disc's plastic surface.

4. Discs should be put back in their cases after use to avoid serious scratches that could cause sound skip.

5. Do not expose discs to direct sunlight, high humidity, or high temperatures for extended periods of time. Long exposure to high temperatures can warp the disc.

6. Do not stick paper or write anything with a ball-point pen on the disc surface.



SANYO Electric Co., Ltd.

Printed in Japan

1RA6P10A28100