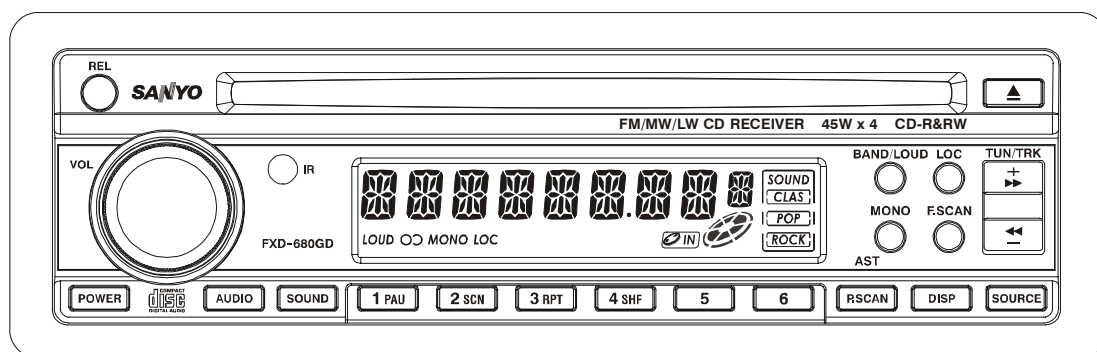


SANYO

**COMPACT
disc
DIGITAL AUDIO**

FXD-680GD



- Full Panel Detachable**
- High Power FM/MW/LW Stereo Receiver**
- Compact Disc Player**
- ISO Mounting with Removable Trim Ring**
- Remote Control Ready**

(English)

OPERATING INSTRUCTIONS..... 2~19

CONTENTS

COMPACT DISC CARE	3
DIGITAL DISPLAY	4
DETACHABLE FRONT PANEL	5
GENERAL OPERATION	6
RADIO OPERATION	8
CD OPERATION	10
ERROR SIGNS	11
AUX MODE OPERATION	12
REMOTE CONTROL (OPTIONAL).....	13
HINTS FOR PROPER AND SAFE OPERATION	14
TROUBLE SHOOTING	15
ACCESSORIES AND HARDWARE.....	16
INSTALLATION	16
UNIT REMOVAL	17
ELECTRICAL CONNECTIONS	18
LINE OUT CONNECTIONS	19
AUXILIARY INPUT CONNECTIONS	19

CAUTION

- This unit is designed to operate on 12 volts DC, NEGATIVE ground electrical systems only.
- When fuse replacement is necessary, use only a 15 amp fuse. Do not replace with a higher rated fuse. If the fuse blows often, carefully check all electrical connections for any short circuits and have your car's voltage regulator checked also.
- Do not install the unit where it will be exposed to direct sunlight or hot air discharged from the car heater.
- Do not expose the unit to water or moisture.
- To avoid damaging the unit, never insert anything other than a compact disc into the disc slot.
- This unit should not be adjusted or repaired by anyone except qualified service personnel. If servicing is required, return the unit to an authorized SANYO mobile audio dealer.
- Use the Controls or adjustments or performance of procedures other than those specified herein may result in hazardous radiation exposure.
- Changes or modifications not expressly approved by SANYO may void the user's authority to operate this equipment.

COMPACT DISC CARE

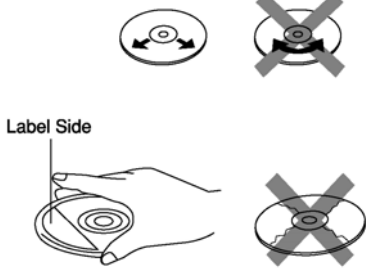
Dirt, dust, scratches and warpage can cause a deterioration in the sound or intermittent skipping some tracks during play.



- This unit has been designed to play compact discs bearing the identification logo shown on the left. No other discs can be played.



- Do not use non-conventional discs such as heart-shaped, octagonal discs, etc. The player could be damaged.



Label Side

- Fingerprints and dust should be carefully wiped off the signal surface of the disc (glossy side) with a soft cloth. Wipe in a straight motion from the inside to the outside of the disc. Unlike conventional records, the compact disc has no grooves to collect dust and debris. Small dust particles will have no effect on reproduction quality.
- Do not insert a disc which is cracked into the unit.
- Do not apply paper or write anything on the surface of the disc.



- To prevent warping the disc, do not expose it to direct sunlight, high humidity or high temperatures for extended periods of time.



Benzene Thinner Cleaning spray



- Never use chemicals such as record cleaning sprays, antistatic sprays or fluids, benzene or thinner to clean compact discs. These chemicals will permanently damage the plastic surface of the disc.
- When not using the disc player for extended periods of time, remove the compact disc and return it to the plastic storage case. This will protect the disc from dust and exposure to the sun.

Recommended CD-R/RW Media

Data may not be properly written to CD-R/RW media depending on the quality of the media. If this happens, the data may not be reproduced correctly. We recommend the following manufacturers to insure proper quality of the media.

CD-R Media

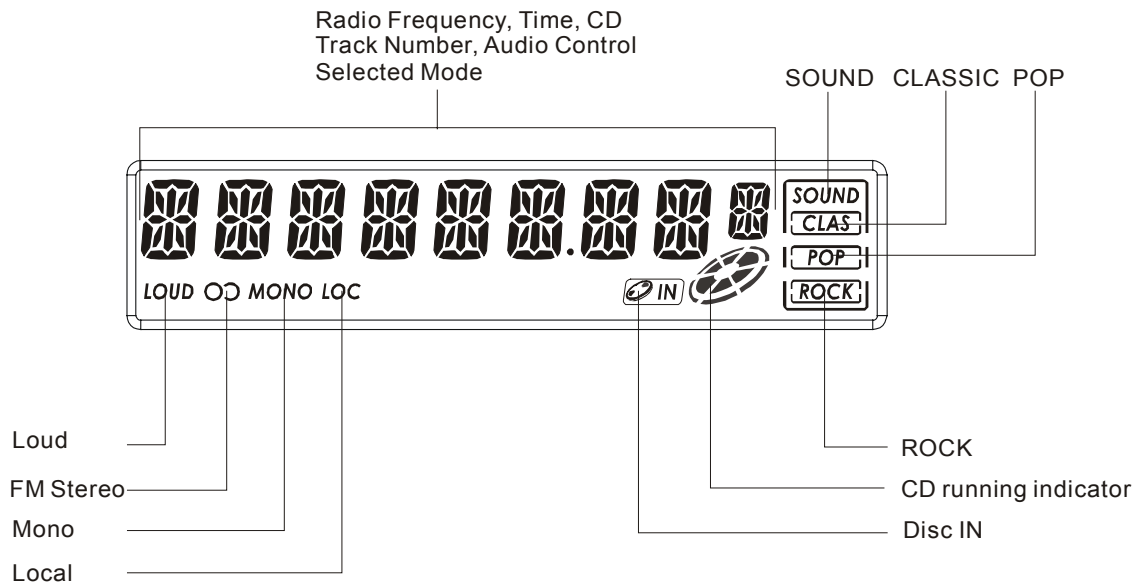
TDK USA Corp., Taiyo Yuden (U.S.A.), Inc., Ricoh Corporation, Eastman Kodak Company, Maxell Corporation of America, Mitsubishi Chemical Corporation, Fuji Photo Film U.S.A., Inc., Mitsui Chemicals, Inc., Sony Corporation of America, Philips Electronics North America Corporation, Imation Corp.

CD-RW Media

TDK USA Corp., Ricoh Corporation, Mitsubishi Chemical Corporation.

Additionally, CD-R media compatible with various speeds such as 2X and 1X-4X are available. Please refer to the instruction manuals of the drive and the recording software you are using to selection of the correct media.

DIGITAL DISPLAY

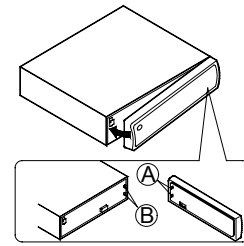


DETACHABLE FRONT PANEL

The front panel is designed to be removable for antitheft purposes. It is recommended that you remove and carry the front panel with you when you leave your car.

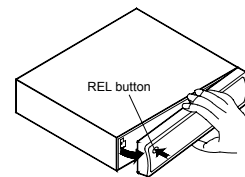
HOW TO ATTACH THE FRONT PANEL

Align the right side of the panel (A) with the stopper (B), and then push the left side of the panel into the unit until it clicks.



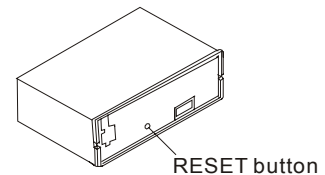
HOW TO DETACH THE FRONT PANEL

Press the release button (**REL**) to release the front panel. Pull the entire panel to remove it from the unit.



RETURNING TO THE INITIAL SETTINGS

When the front panel is detached, you can find the **RESET** button on the front side of the unit. Press the button, the Microcomputer of the unit returns to the initial settings. If the display window is not properly shown or the unit malfunctions, press the **RESET** button.



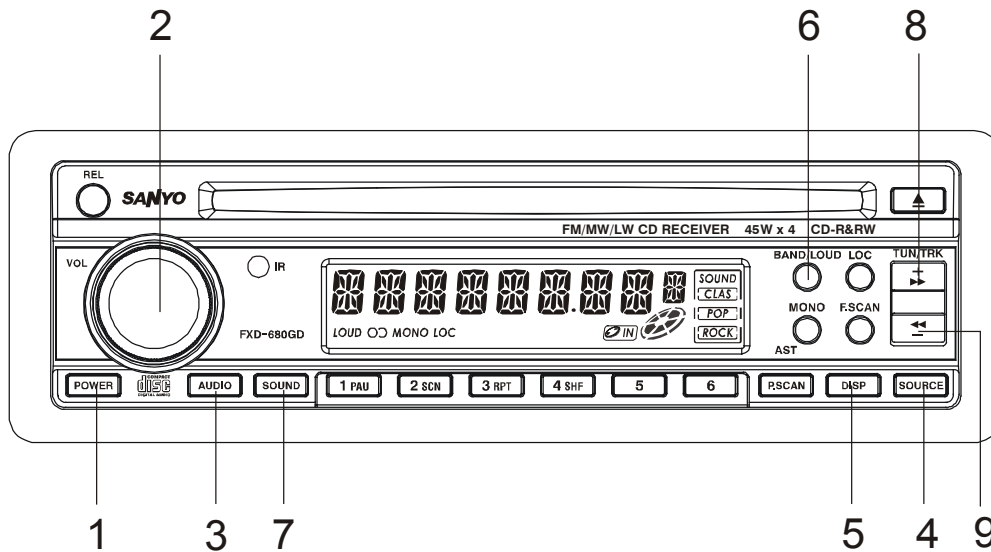
Note

The unit will not operate if it is installed incorrectly.

⚠ CAUTION

- Do not attempt to remove the panel in a manner other than that described above.
- When installing the panel, do not force it into the unit.
- Do not touch the connection terminals of the panel or the unit. It may cause poor contact.
- Use a clean, dry cloth when cleaning the terminals.
- Keep the panel out of direct sunlight and high temperatures.
- Prevent the panel from coming into contact with benzene, thinner, or insecticides.
- Do not drop the panel.

GENERAL OPERATION



TURNING THE POWER ON.....Any button

Install the front panel and press any button (except **REL** and **EJECT** button) when ACC is on.

TURNING THE POWER OFF 1

When system is on, press the **POWER** button 1 to turn off the unit.

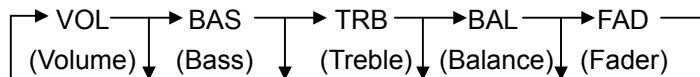
VOLUME LEVEL CONTROL.....2

Rotate the **VOL** dial 2 to adjust the volume level.

ADJUSTING THE SOUND CHARACTERISTICS2, 3

Press the **AUDIO** button 3:

1. Each time you press the **AUDIO** button 3, the item changes as follows;



2. Rotate the **VOL** dial 2 to adjust the selected item. Make the adjustment within 5 seconds after selecting. After 5 seconds, the display window will revert to display priority.

Adjustment Range

BASS (BAS 00)	BAS -10	BAS 10
TREBLE (TRB 00)	TRB -10	TRB 10
BALANCE (BAL L=R)	10L	10R
FADER (FAD F=R)	10F	10R

MODE SELECTION.....4

Press **SOURCE** button 4 to choose desired listening mode. (e.g. radio mode to CD mode.)

SET THE CLOCK.....5,8,9

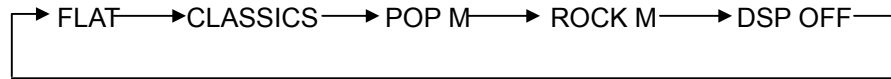
Press the **DISP** button 5, the clock is shown on the LCD display. Then hold down the button until the clock flashes. Then press the **TUN/TRK** \rightarrow button 8 to change hours or **TUN/TRK** \leftarrow button 9 to change minutes.

LOUDNESS EFFECT.....6

Press **BAND/LOUD** button 6 for several seconds to reinforce the bass output. Press it for several seconds again to release this function.

EQUALIZATION.....7

Press **SOUND** button 7 to turn on equalization function and to select desired audio mode. There are five kinds of mode as below:



BEEP SOUND SETTING

The beep is only generated when all allowed double function button is pressed long (several seconds).

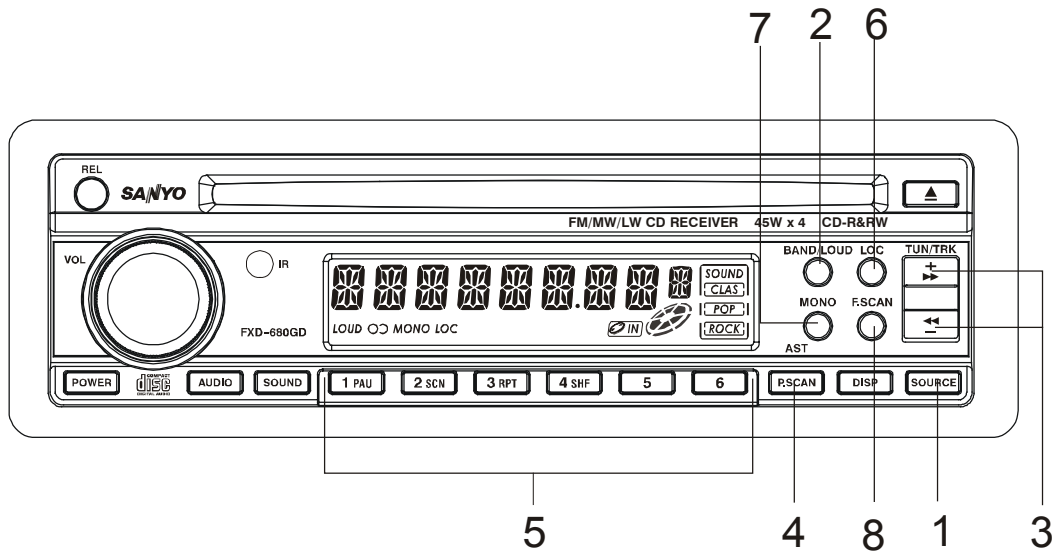
e.g.

When preset button is pressed.

When **BAND/LOUD** button is pressed.

When **P.SCAN/AST** button is pressed,

RADIO OPERATION

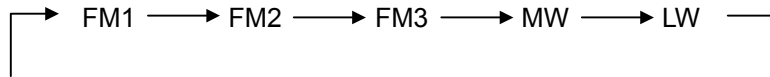


SWITCHING TO RADIO MODE.....1

Press **SOURCE** button 1 to select radio mode, the radio mode appears in the display together with the memory band and frequency.

SELECTING THE FREQUENCY BAND.....2

At radio mode, press **BAND/LOUD** button 2 shortly to select the desired band. The reception band will change in the following order:



RADIO TUNING.....3

Press the **TUN/TRK** \rightarrow or \leftarrow button 3 shortly to activate automatic seek function. Press for several seconds until “MANUAL” appears on the display, the manual tuning mode is selected. If both buttons have not pressed for several seconds, it will revert to seek tuning mode and “AUTO” appeared on the display.

AUTOMATIC MEMORY

STORING & PROGRAM SCANNING.....4

- Automatic memory storing
Press **P.SCAN/AST** button 4 for several seconds, the radio searches for 6 strongest stations and stores them into the presets of the currently selected band.
- Program scanning
Press **P.SCAN/AST** button 4 shortly to scan preset station. When the field strength level is more than the threshold level of stop level, the radio is holding at that preset number for several seconds with release mute, then searches again.

STORING PRESET STATIONS5

The preset buttons 5 can be used to store 6 stations in each band (FM 1, FM 2, FM 3 and MW, LW) for convenient access to your favorite stations.

- Programming stations
 1. Select the desired band, then tune in the station you want to store in memory.
 2. Press and hold one of the preset buttons 5 for more than 2 seconds until the corresponding preset button number appears. Repeat steps 1. and 2. to program additional stations.
- Quick tuning Select the desired band, then press one of the six preset buttons 5.

LOCAL/DISTANT SELECTION6

Press **LOC** button 6 to set local or distant stations.

Use local position (LOCAL/LOC appears on the display) for reception of strong station, and distant position (DX appears on the display) for reception of weaker stations. This function is effective during AUTO SEEK operation.

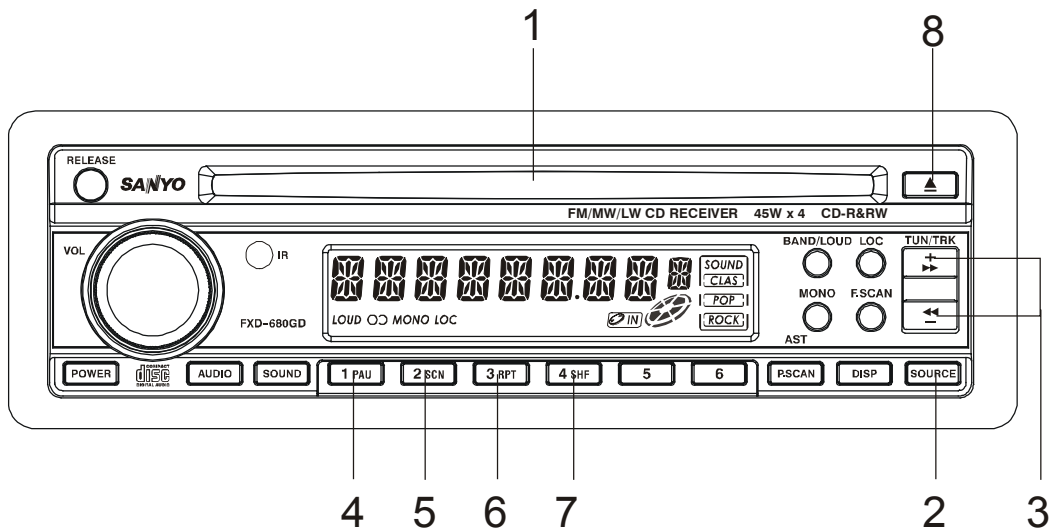
MONO/STEREO SELECTION7

Press **MONO** button 7 to select mono or stereo mode. You can sometimes improve reception of distant stations by selecting mono operation.

FREQUENCY SCAN OPERATION.....8

Press **F.SCAN** button 8 to set the function to frequency scan mode, which scans stations and stop for several seconds at each receivable signal. Press **F.SCAN** button again to stop scanning.

CD OPERATION



LOADING AND EJECTING THE CD.....1,8

Insert a disc into the CD slot 1 and the CD player will start.

The system remains in CD mode and “ IN ” appears in the display.

Press the eject button 8 to eject a disc.

SWITCHING TO CD MODE.....2

Press the **SOURCE** button 2 with the power on to switch from radio mode or AUX mode to CD mode.

When the CD mode is switched on while a disc is loaded, play resumes from the point at which play was stopped.

When the entire disc has played, the unit returns to the first track and play resumes.

SKIPPING TRACKS3

Press the **TUN/TRK** button to skip to the beginning of the next track.

Press the **TUN/TRK** button to skip to the beginning of the previous track.

Press and hold the **TUN/TRK** or **TUN/TRK** button 3 for several seconds to search quickly (with sound) in the forward or reverse direction.

When the button is released, the CD resumes normal play.

Notes:


- You can play CD-Rs or CD-RWs (rewritable CDs) on this unit in proper condition.
- Some CD-Rs/CD-RWs (depending on the equipment used for its recording or the condition of the disc) may not play on this unit.
- You cannot play CD-R/CD-RW that is not finalized. (A finalize process necessary for a recorded CD-R disc to be played on the audio CD player.)

PLACING THE CD IN PAUSE MODE4

While playing a CD, press the **PAU** button 4.

To resume playing, press the **PAU** button 4 again.

Notes

- During playback of a CD, the CD running indicator  spins.
- The unit will turn-on automatically when a CD is inserted if the ignition switch is "ON".

REPEAT MODE 6

Press the **RPT** button 6 to play the current track repeatedly.

To cancel this mode, press the **RPT** button 6 again.

SHUFFLE MODE..... 7

This function plays the tracks on a CD in random order.

Press the **SHF** button 7 to begin shuffle play.

To cancel this mode, press the **SHF** button 7 again.

SCAN MODE (PLAYING THE BEGINNING OF EACH TRACK) 5

This function plays the first several seconds of each track sequentially.

Press the **SCN** button 5 to begin the scan mode.

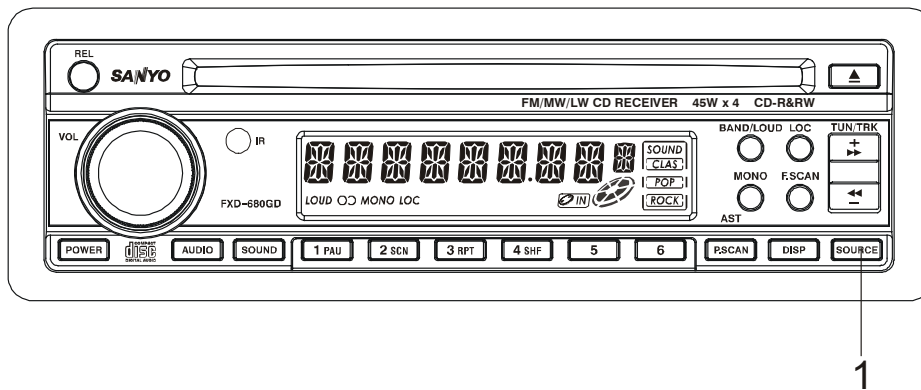
To cancel this mode, press the **SCN** button 5 again.

ERROR SIGNS

If a problem should occur while operating the CD player, one of the following error signs may be displayed. Refer to the table below to identify the problem.

DISPLAY	DESCRIPTION
ERROR 1	MECHANISM ERROR
ERROR 2	SERVO ERROR

AUX MODE OPERATION

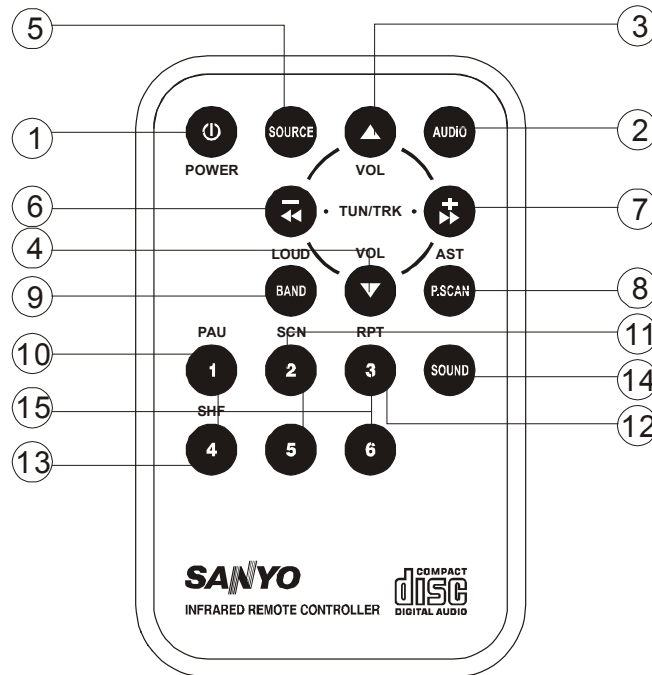


SWITCHING TO AUX MODE.....1

The unit has a pair of auxiliary input terminals (see WIRING figure on page 18). This allows you to listen to an auxiliary audio source (MP3, portable cassette player, etc).

Press the **SOURCE** button 1 with the power on to switch from radio mode or CD mode to AUX mode.

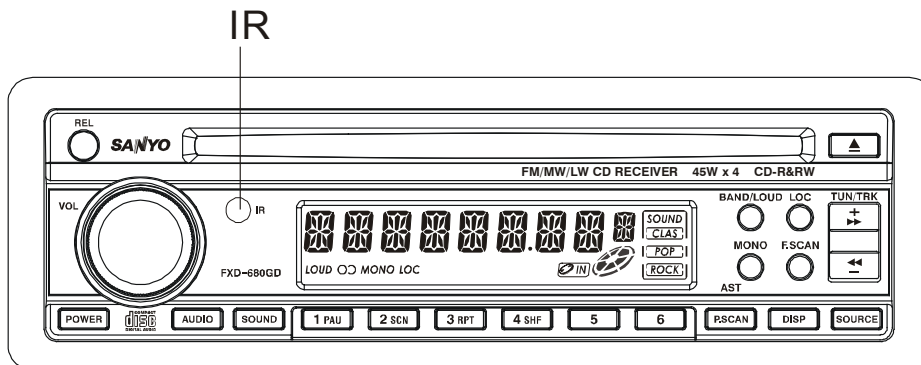
REMOTE CONTROL (OPTIONAL)



- | | |
|---------------|------------------------|
| 1. POWER | 9. BAND/LOUD |
| 2. AUDIO | 10. PAU |
| 3. VOL ▲ | 11. SCN |
| 4. VOL ▼ | 12. RPT |
| 5. SOURCE | 13. SHF |
| 6. TUN/TRK ◀ | 14. SOUND |
| 7. TUN/TRK ▶ | 15. 1~6 Preset buttons |
| 8. P.SCAN/AST | |

REMOTE SENSOR.....IR

Point the remote control handset to the remote sensor **IR**. Press the function keys on the handset to control the system.



HINTS FOR PROPER AND SAFE OPERATION

- **Condensation**

Moisture can condense on the optical lens of the CD player during humid or rainy days, or after the car heater is turned on. If this occurs the disc player may not function properly. To remedy the situation, remove the disc from the unit and wait approximately one hour. This should allow the moisture to evaporate and restore normal operation.

- **Temperature Consideration**

The unit may not operate correctly in extremely hot or cold temperatures. Avoid exposing the unit to extremely high or low temperatures.

- **Interruptions in the sound (skipping)**

When the car is driven on very rough surfaces, the sound from the CD player may skip and be interrupted. This will not cause any damage to the disc or the player. If this occurs, wait for the road surface to improve before using the CD player.

- **Safety**

For safer driving, keep the volume at a moderate level to enable you to hear outside sounds (such as emergency vehicle sirens).

- **Cleaning the unit**

Clean the unit with a soft, dry cloth. Stains should be removed by wiping the surfaces with a soft cloth immersed in lukewarm water and wrung dry. Never use strong chemicals or solvents. These will damage the finish of the unit.

- **Disc care**

When not using the disc player for extended periods, remove the compact disc and return it to the plastic storage case. Do not leave a disc partially ejected from the player. If an ejected disc remains in the loading slot for approximately 10 seconds, the player will reload the disc to prevent damage.

- **Servicing**

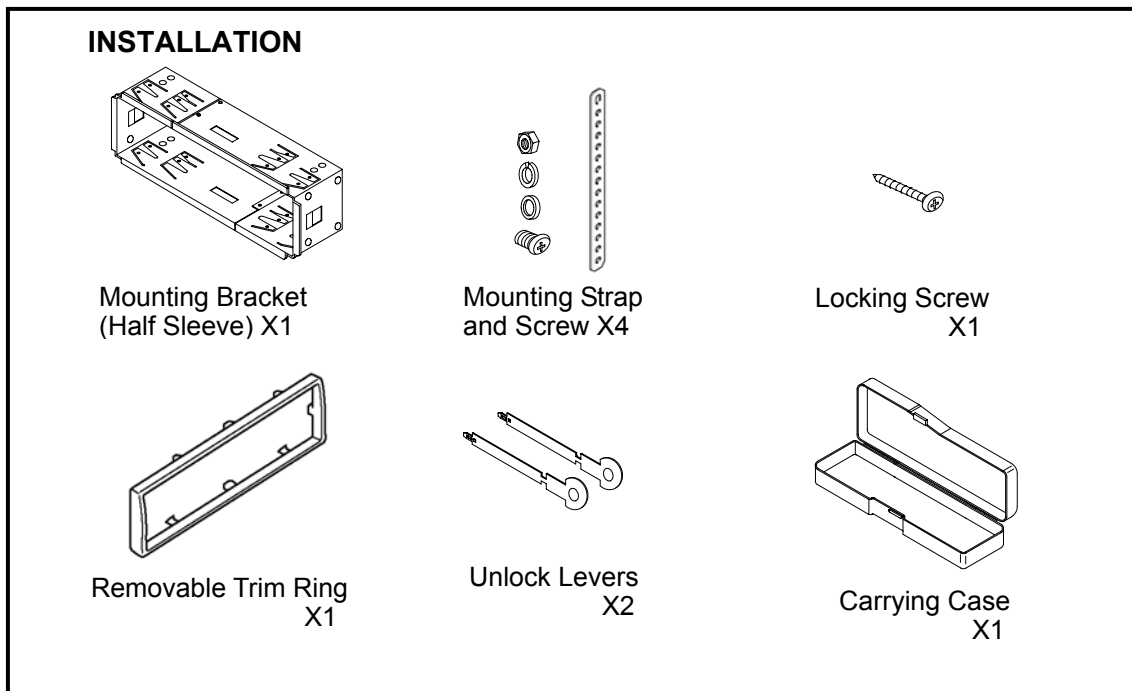
Should a problem develop, do not open the unit or try to repair it yourself. If servicing is required, bring the unit to a Sanyo Authorized Service Center.

TROUBLE SHOOTING

Sometimes a simple operational error or a mistake in the wiring can appear to be a problem with the unit. Before having the unit serviced, refer to the troubleshooting chart below.

Symptom	Cause	Solution
The compact disc does not play when inserted into the unit.	The volume control is turned down.	Turn up the volume control.
	The power connections are not wired correctly.	Check the +12V and ground connections.
No power.	The vehicle ignition is switched off.	Switch the ignition to the "ON" or "ACC" position.
	The fuse is blown.	Replace the fuse with another 15A fuse.
The unit does not work properly (Eject, Load, Play)	The microcomputer has been affected by electrical noise.	Press RESET button.
The sound from the CD player skips.	The road surface is rough.	Wait for the road surface to improve before playing a disc.
	The unit is not mounted securely.	Install the unit securely. Be sure to use the rear strap if the vehicle does not provide support for the rear of the unit. (See page 17)
	The disc is defective.	Try another disc. If it plays properly, the first disc may be defective.
	The disc is dirty.	Clean the disc as explained on page 3.
No radio reception.	The antenna cable is not connected.	Insert the antenna cable firmly into the antenna jack on the unit.
The radio does not stop on any stations when automatic tuning is used.	The signals are weak.	Select a station using manual tuning.

ACCESSORIES AND HARDWARE

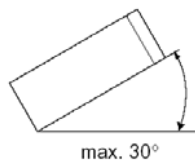


INSTALLATION

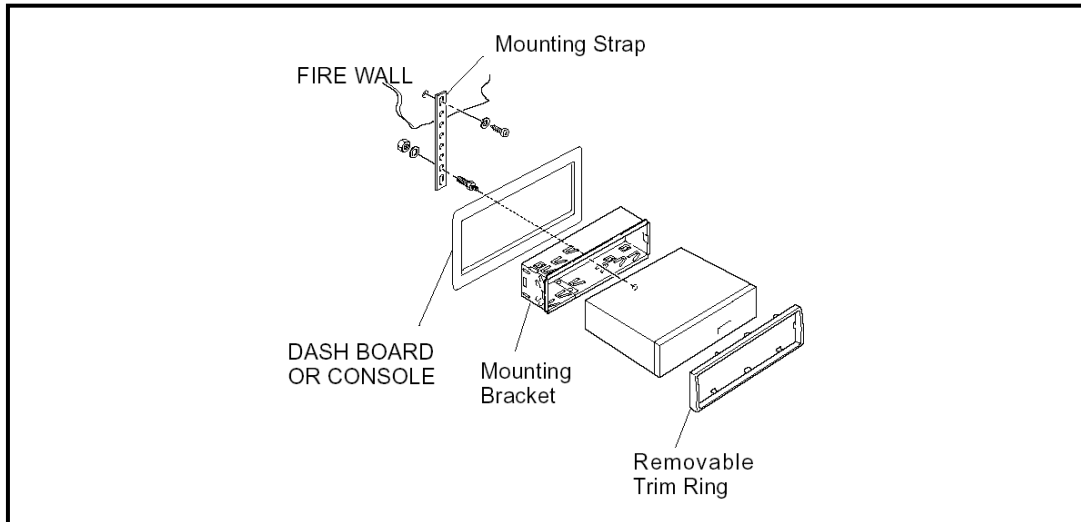
1. BEFORE INSTALLATION

When mounting the unit in a car, keep the unit as level as possible.

If the unit must be mounted at an angle, due to the design of the vehicle, make sure the unit does not tilt by more than 30°.



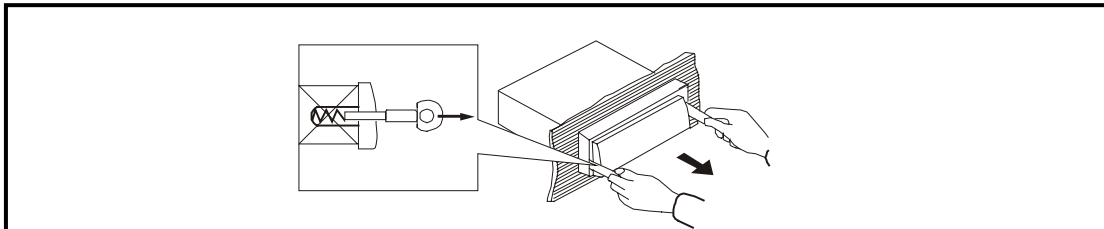
2. INSTALLATION PROCEDURES



When mounting the unit into a DIN-standard cutout (182x53 mm) in the dashboard or console, attach the provided Removable Trim Ring to the unit.

1. Insert the mounting bracket into the DIN-standard cutout (182x53 mm) in the dashboard or console.
2. Bend the mounting bracket stopper outward until the bracket fits snugly in the cutout.
3. Attaching the Mounting Strap to the underside of the dashboard, using screw. Attach the back of the unit to the Mounting Strap using support stem bolt and hardware.

UNIT REMOVAL



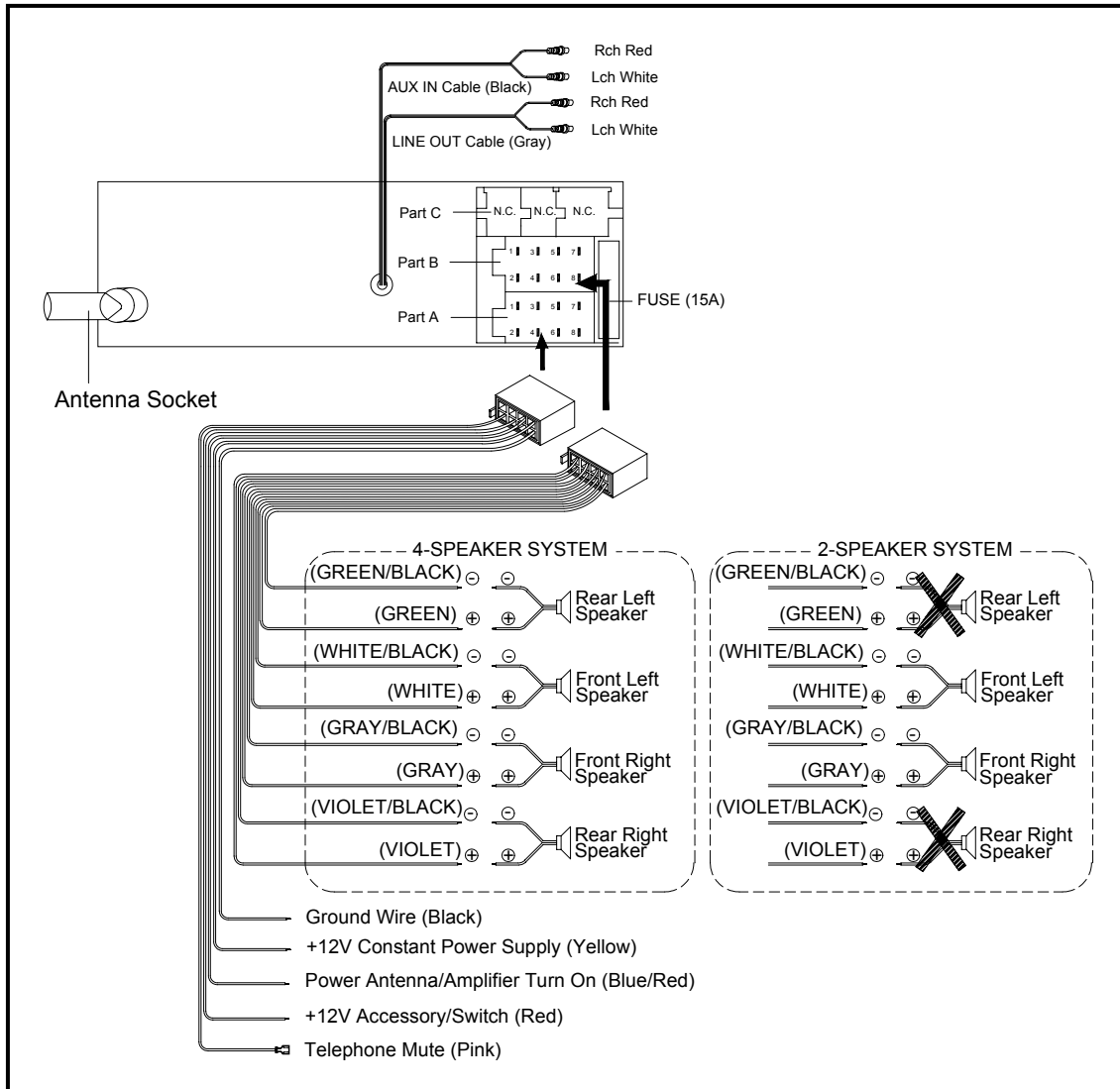
1. Insert the unlock levers into the slots on each side of the unit until they click into place.
2. Pull the levers to remove the unit.

Notes

- Handle the unlock levers carefully to avoid injuring your fingers.
- Keep the unlock levers in a safe place for future use.

ELECTRICAL CONNECTIONS

WIRING



⚠ CAUTION

- **DO NOT** connect any speaker wires to the metal body or chassis of the vehicle.
- **DO NOT** connect the speaker common (-) wires to each other.
- Connect each speaker wire directly to each speaker terminal.
- All speaker common (-) wires must remain floating.

1 Antenna Socket

- Insert the plug from the antenna installed in your vehicle into this socket. (If your vehicle has a dual antenna system, a dual antenna to single antenna cable adaptor may be required.)

2 + 12V Constant Power Supply (Yellow)

- Connect this wire to the +12V power terminal which receives power continuously.

3 +12V Accessory/Switched (Red)

- Connect this wire to the terminal which receives power while the ignition switch is ON or in the ACCESSORY position.

- If the ignition switch does not have on ACC position, connect this wire to a +12V power terminal which receives power continuously. (Same as item 2.)

4 Ground Wire (Black)

- Connect this wire to the vehicle chassis.

5 Power Antenna/Amplifier Turn On (Blue/Red)

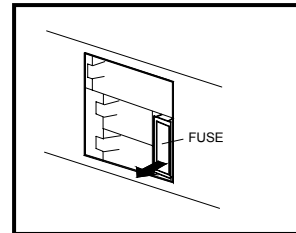
- Connect this wire to the control terminal of a Power Antenna or an external amplifier.
- When not using a Power Antenna or an external amplifier, this wire is not connected.

6 Telephone Mute (Pink)

- Connect this wire to the control terminal of a Telephone Mute.
- Sound is muted at low level. When not using Telephone Mute, this wire is not connected.

REPLACING THE FUSE

When fuse replacement is necessary remove the blown fuse by using pliers. Then install the new 15 amp. fuse.



LINE OUT CONNECTIONS

- The unit has a pair of line out terminals (see WIRING figure above). You can use a separate rear channel amplifier to upgrade your system.

RCA Line- out Jacks (For Rear Speakers)

- Connect a patch cable (not supplied) from the White (left rear channel) and Red (right rear channel) RCA line output jacks to the line input terminals of the external amplifier.

AUXILIARY INPUT CONNECTIONS

The unit has a pair of auxiliary input terminals. You can connect a portable audio player through the terminals of the AUX IN cable (see WIRING figure above).

SANYO Electric Co., Ltd.

Printed in China

Issue date 09/03