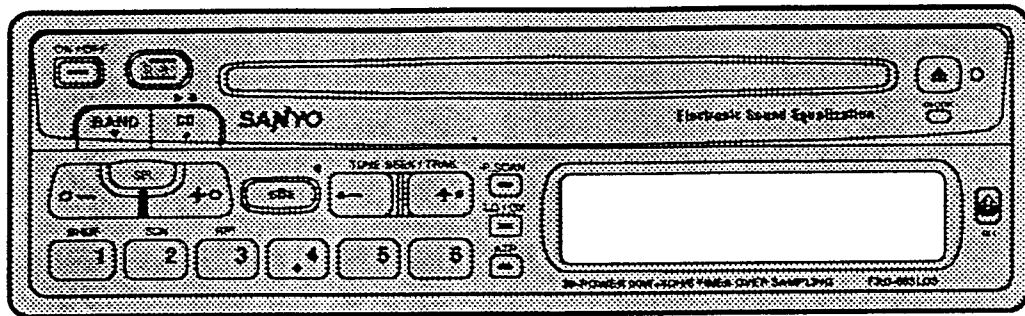


FXD-803LDS



FXD-803LDS

Digital Full Panel Detachable 4-Channel Super High Power FM Stereo/MW/LW Receiver with Compact Disc Player

(English)	OPERATING INSTRUCTIONS	1~15
(Français)	MODE D'EMPLOI	16~30
(Español)	LIBRITO DE INSTRUCCIONES	31~45
(Italiano)	MANUALE DI ISTRUZIONI	46~60
(Portugués)	INSTRUÇÕES DE OPERAÇÃO	61~75
(中國語)	使用说明书	76~90

GB

F

E

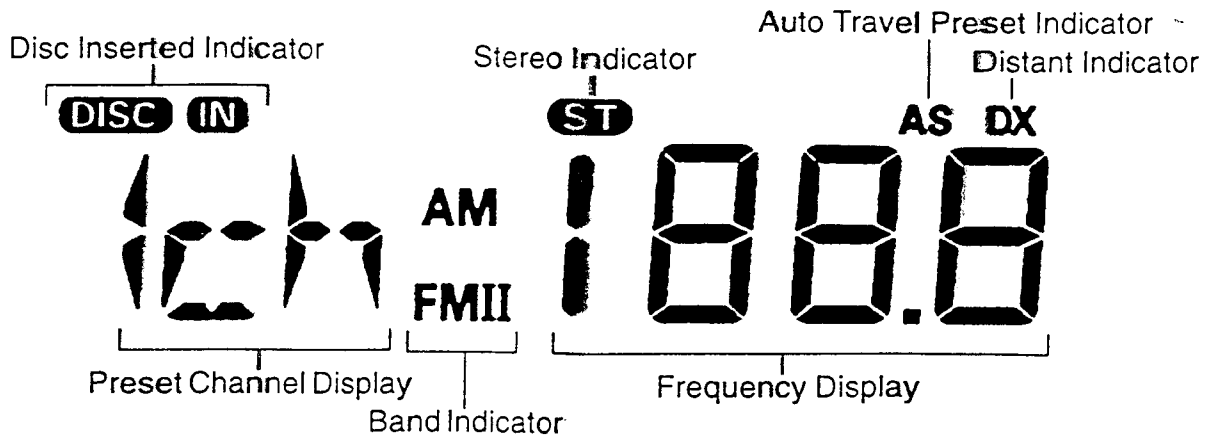
I

P

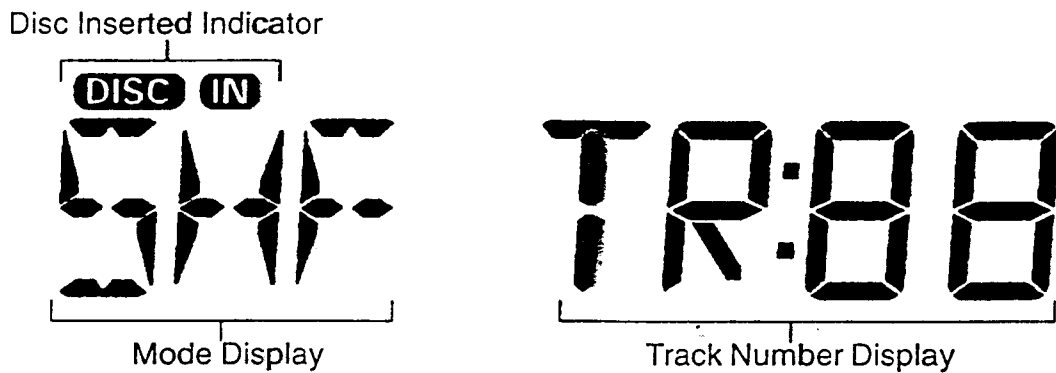
中

DIGITAL DISPLAY

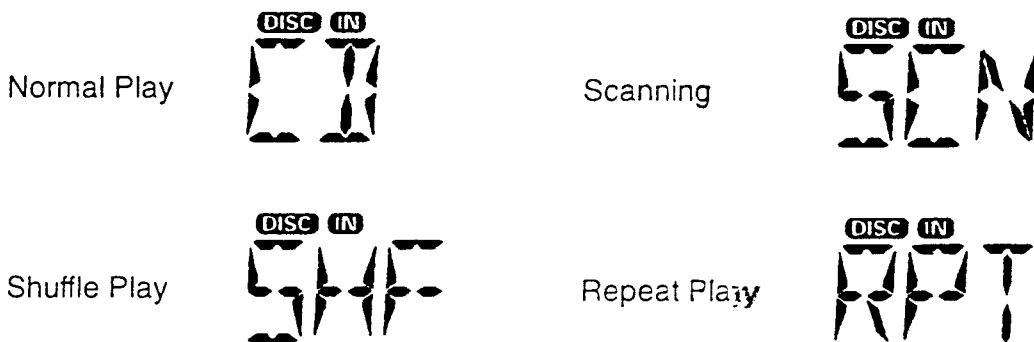
Radio Mode:



CD Player Mode:



Mode Display Variation



CONTENTS

COMPACT DISC CARE	3
DETACHABLE FRONT PANEL	4
GENERAL OPERATION	4
RADIO OPERATION	6
CD OPERATION	7
ERROR SIGNS	9
CLOCK	10
HINTS FOR PROPER AND SAFE OPERATION	10
TROUBLESHOOTING	11
ACCESSORIES AND HARDWARE	12
INSTALLATION	13
UNIT REMOVAL	13
ELECTRICAL CONNECTIONS	14

CAUTION

- This unit is designed to operate on 12 volts DC, **NEGATIVE** ground electrical systems only.
- When fuse replacement is necessary, use only a 10 amp fuse. Do not replace with a higher rated fuse. If the fuse blows often, carefully check all electrical connections for any short circuits and have your car's voltage regulator checked also.
- Do not install the unit where it will be exposed to direct sunlight or hot air discharged from the car heater.
- Do not expose the unit to water or moisture.
- To avoid damaging the unit, never insert anything other than a compact disc into the disc slot.
- This Compact Disc Player should not be adjusted or repaired by anyone except qualified service personnel. If servicing required, return the unit to an authorized SANYO mobile audio dealer.
- When the power supply cable is connected for the first time, press the reset button.
- Use of Controls or adjustments or performance of procedures other than those specified herein may result in hazardous radiation exposure.
- Changes or modifications not expressly approved by Sanyo may void the user's authority to operate this equipment.

ATTENTION

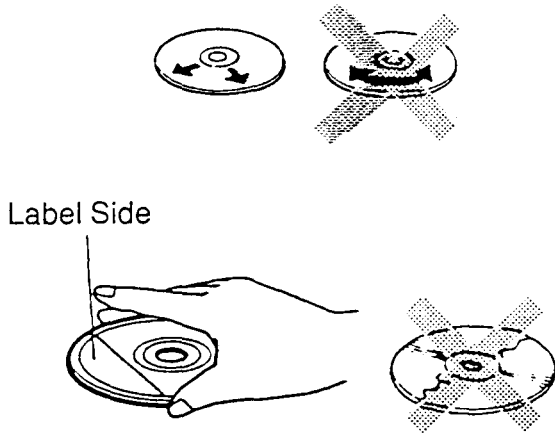
When the unit is first installed and wires are connected, or if the unit will not play, load or eject a disc.... Gently press the RESET button, which is located to the right side of the eject button, using a pointed object, such as a ball-point pen.

COMPACT DISC CARE

Dirt, dust, scratchers and warpage can cause a deterioration in the sound or intermittent skipping some tracks during play.



- This unit has been designed to play compact discs bearing the identification logo shown on the left. No other discs can be played.

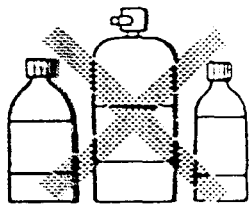


Label Side

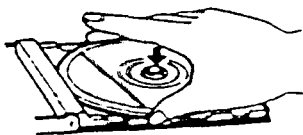
- Fingerprints and dust should be carefully wiped off the signal surface of the disc (glossy side) with a soft cloth. Wipe in a straight motion from the inside to the outside of the disc. Unlike conventional records, the compact disc has no grooves to collect dust and debris. Small dust particles will have no effect on reproduction quality.
- Do not insert a disc which is cracked into the unit.
- Do not apply paper or write anything on the surface of the disc.



- To prevent warping the disc, do not expose it to direct sunlight, high humidity or high temperatures for extended periods of time.



Benzene Thinner Cleaning spray



- Never use chemicals such as record cleaning sprays, antistatic sprays or fluids, benzene or thinner to clean compact discs. These chemicals will permanently damage the plastic surface of the disc.
- When not using the disc player for extended periods of time, remove the compact disc and return it to the plastic storage case. This will protect the disc from dust and exposure to the sun.

DETACHABLE FRONT PANEL

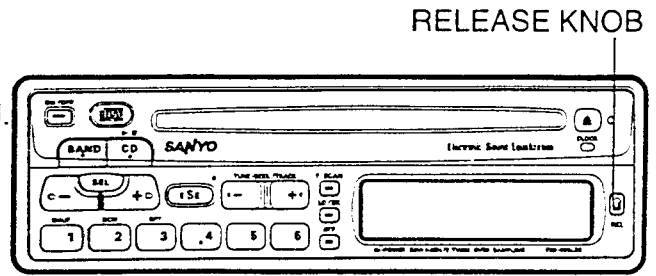
The front panel is designed to be removable for antitheft purposes.

It is recommended that you remove and carry the front panel with you when you leave your car.

A carrying case is provided with the unit for this purpose.

HOW TO DETACH THE FRONT PANEL

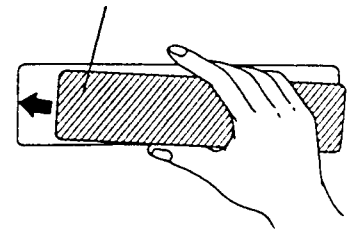
- 1 Push the release knob (REL) to release the front panel.
- 2 Pull the entire panel to remove it from the unit.



HOW TO REPLACE THE FRONT PANEL

Align the left side of the panel with the stopper, and then push the right side of the panel into the unit until it clicks.

FRONT PANEL



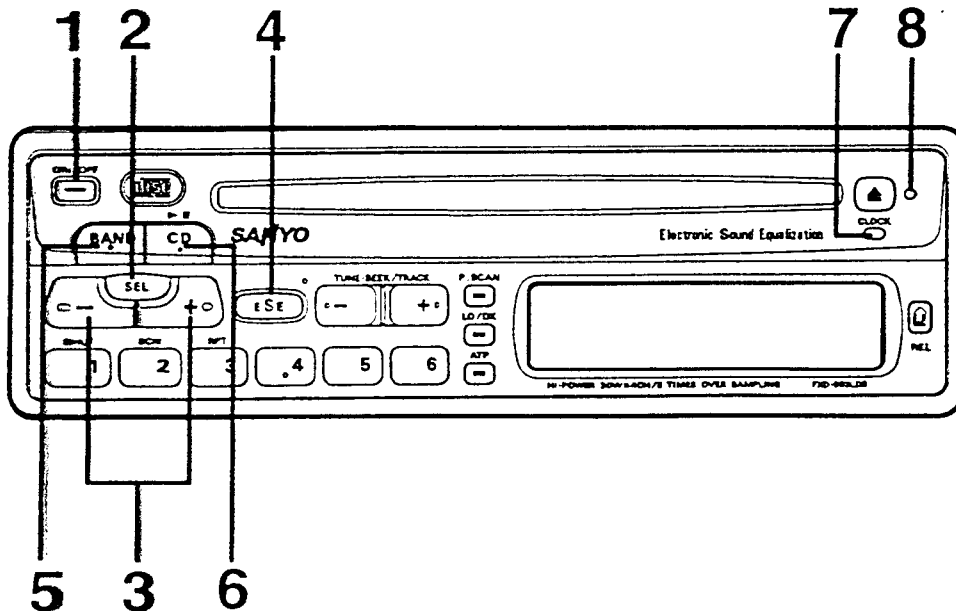
Note

The unit will not operate with the front panel incorrectly installed.

CAUTION

- Do not attempt to remove the panel in a manner other than that described above.
- When installing the panel, do not force it into the unit.
- Do not touch the connection terminals of the panel or the unit. It may cause poor contact.
- Use a clean, dry cloth when cleaning the terminals.
- Keep the panel out of direct sunlight and high temperatures.
- Prevent the panel from coming into contact with benzene, thinner, or insecticides.
- Do not drop the panel.

GENERAL OPERATION



TURNING ON THE UNIT

Install the front panel and press button ① with the vehicle ignition switch in ON or ACC position.

FUNCTION OFF 1

Press button ① to stop operation. If you press the button again, play will resume in the mode you used last.

ELECTRONIC CONTROLS 2, 3

Press button ② to select the audio functions as shown in the table below.

To adjust the volume, press button ③ (either the ⊕ or ⊖ side) while in the volume mode.

To adjust the bass, treble balance, or fader, press button ② to select the operation mode, then press the ⊕ or ⊖ side of the button.

Note

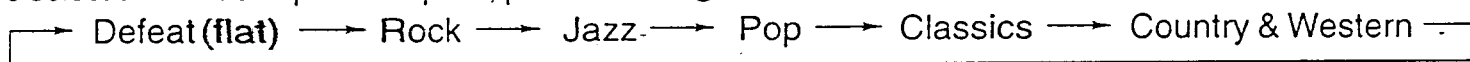
While the mode is not displayed, press button ③ and the volume will be adjusted.

MODE	⊖ (Min)	⊕ (Max)
VOL	Down 0	Up 32
BAS	Down -5	Up +5
TRE	Down -5	Up +5
BAL	Left L15	Right R15
FAD	Front F15	Rear R15

ELECTRONIC SOUND EQUALIZER (E.S.E.) BUTTON 4

E.S.E is a 5-Mode 5-Band Electronic Sound Equalization feature which offers five presets with frequency curves that conform to various types of music-Pop, Rock, Classical, Jazz and Country & Western.

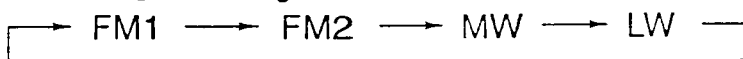
To select a desired equalizer option, press button ④.



RADIO SELECTION BUTTON 5

Press button ⑤ to turn on the radio.

Press button ⑤ to change to radio mode from CD mode. While in radio mode, press button ⑤ to switch bands.



CD SELECTION BUTTON 6

Press button ⑥ to turn on the CD player.

Press button ⑥ to change to CD mode from radio mode.

Note

This button is only effective when a CD is loaded.

CLOCK BUTTON 7

Press button ⑦. The current time will display for approximately five seconds, then the original display will return.

RESET FUNCTION BUTTON 8

The RESET button ⑧ is recessed to prevent accidental engagement.

Gently press it with a pointed object to reset the unit in the following cases.

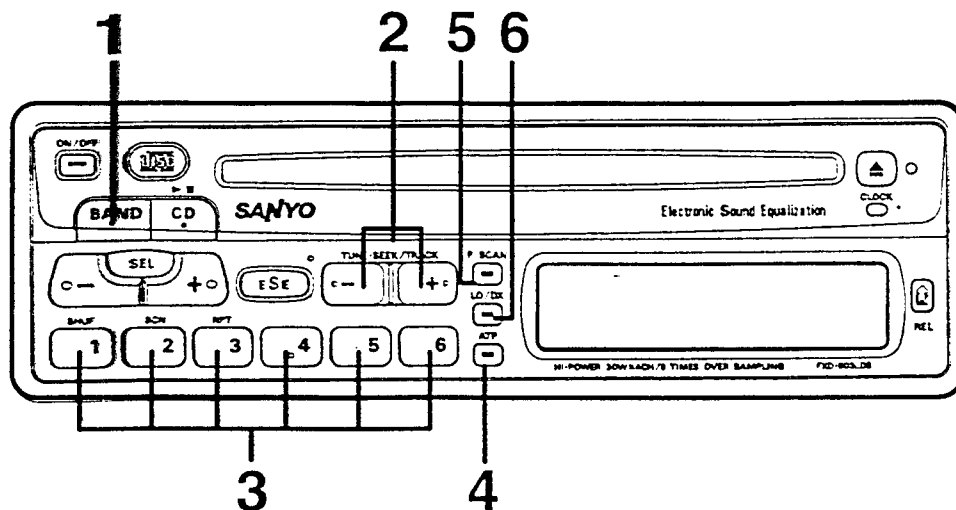
- When the unit is first installed, after all wiring connections have been completed.
- If the unit will not load or eject a compact disc.

When the reset button is pressed, all the memory settings (radio station presets and clock time) are cancelled and the system returns to the radio mode.

TO CANCEL THE BEEP TONES 6

- 1 To cancel all beep tones, press button ⑥ for more than 3 seconds with no CD in the disc slot.
- 2 To turn on the beep tone again, perform the same procedure.

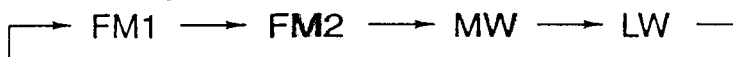
RADIO OPERATION



SELECTING RADIO MODE

Press button ①; the mode will switch from CD to the radio mode.

Press button ① to select the desired band.



RADIO TUNING 2

- Automatic tuning Press the ⊕ or ⊖ button for more than one second.
When the button is released, the system will start automatic tuning and stop at the next receivable station.
- Manual tuning To select higher frequency stations, press the ⊕ button (for less than 0.5 seconds).
To select lower frequency stations, press the ⊖ button.
To quickly scan up or down in frequency, press and hold the ⊕ or ⊖ button.
Release the button when the display approaches the desired frequency, then press and release the button until the desired frequency is displayed.
 - A flashing decimal point in the frequency display indicates that the system is receiving a station 50 kHz higher than the displayed frequency.

STORING PRESET STATIONS 3

- The preset buttons can be used to store 6 stations in each band (FM1, FM2, MW and LW) for quick tuning.
- Programming stations .. ① Select the desired band and tune in the station you want to store in memory.
② Press and hold one of the preset buttons for more than 2 seconds.
Repeat steps ① and ② to program additional stations.
 - Quick tuning Select the desired band and press one of the six preset buttons.

ATP (AUTO TRAVEL PRESET)

BUTTON OPERATION 3, 4

With this function, the system searches for and memorizes the 6 strongest stations in one of the three bands (FM1, FM2, MW) in order of signal strength.

This feature is useful when you are driving in an unfamiliar location and want to memorize local stations without changing the standard preset stations.

A total of 12 stations (6 FM and 6 MW) can be programmed.

- To set the stations ① Select the desired band.
② Press and hold button ④ for more than 2 seconds. "AS" will appear in the display.
When the stations have been memorized, scanning will stop and the strongest station will be received.

Quick Tuning of ATP Stations

- Select the desired band.
- Press button ④ if the "AS" indicator does not appear in the display.
- Press one of the preset buttons ③ to select the desired ATP preset.
If a total of six stations cannot be preset "—" will be displayed for the empty channels.

- To scan programmed stations . . . See "PRESET-SCAN-BUTTON OPERATION".

Notes

- If no station can be received, "—" will appear in the display.
- If there are less than 6 stations which can be received, the system will memorize these stations then select the one memorized first.

PRESET-SCAN-BUTTON OPERATION 1, 4, 5

This function scans each of the preset stations stored in the selected band (both manual presets and auto travel presets).

- To scan ① Select the desired band or ATP mode. Press button ① for FM1, FM2, MW or LW band, or press button ④ for less than 0.5 seconds for ATP mode.
- ② Press button ⑤. The system will sequentially receive each preset station for 5 seconds.
- ③ To hold the station, press button ⑤ again during this five second period.

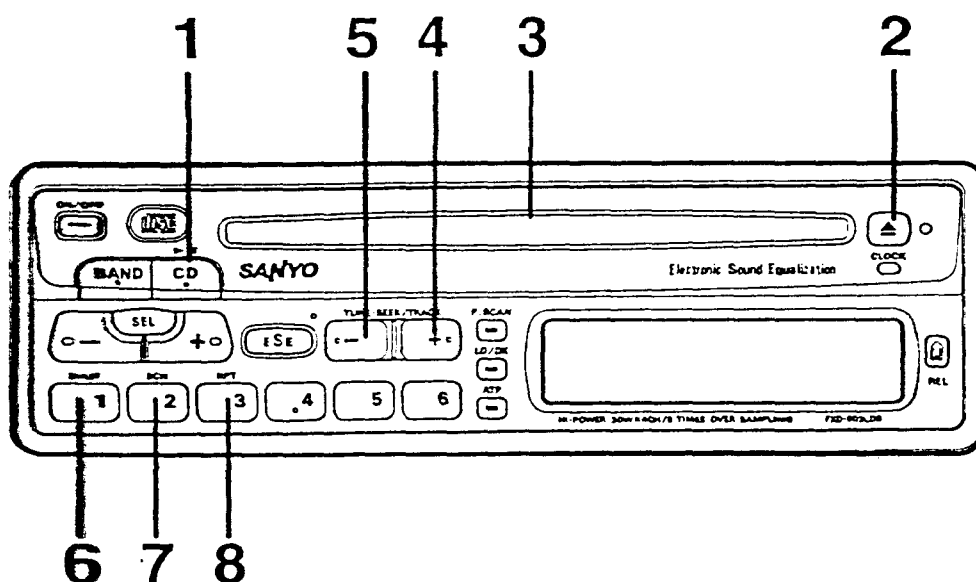
SWITCHING BETWEEN LOCAL STATIONS AND DISTANT STATIONS (DX) 6

Each time button ⑥ is pressed (for less than 0.5 seconds), the search stop sensitivity will be switched between local and distant stations.

- To receive local stations (strong signals) press the button to turn off "DX" in the display.
- Distant stations (weak signals) press the button to turn on "DX" in the display.

CD OPERATION

This compact disc player will accept 5" and 3" CDs (without the use of an adaptor).



SWITCHING TO CD MODE

Press button ① to switch from radio mode to CD mode.

When switched from radio mode with a disc loaded, play will resume from the point at which play was stopped.

When the entire disc has played, the unit will return to the first track of the disc and play will resume. The system continues playing the disc until button ① is pressed again or the disc is ejected.

If you switch off the CD mode or the vehicle's ignition while a CD is playing, the CD resumes playing from the point where you last stopped when you switch back to CD mode or turn on the ignition again. (At that time, the CD player will require about 5 seconds to initialize the mechanism.)

LOADING A DISC 3

Insert a CD into disc slot ③ with the label side facing up.

The loading mechanism will automatically pull the disc into the unit and play will start with the first track on the disc. The "DISC IN" indicator and the track number will be displayed.

PUTTING THE CD IN PAUSE MODE 1

While playing a CD press button ①.

To resume playing, press button ① again.

EJECTING A DISC 2

Press button ② to eject a disc. The unit will return to the radio station you last selected.

Note

If the CD player is kept in pause mode for more than 5 minutes, the system will automatically switch to clock display mode.

SKIPPING TRACKS 4, 5

Press button ④ to skip to the beginning of the next track.

Press button ⑤ to skip to the beginning of the currently played track.

Press button ⑤ twice to skip to the beginning of the previous track.

Press and hold button ④ or ⑤ for more than 2 seconds to advance quickly in the forward or backward direction. On releasing the button, the CD will start to play from the point at which the button was released.

SHUFFLE MODE 4, 5, 6

This is a function to play tracks in random order.

Press button ⑥.

The system will play tracks in random order.

If button ④ or ⑤ is pressed during shuffle play, the system will play the track selected next.

To cancel this mode, press button ⑥ again.

The system will remain in this mode until it is cancelled.

Note

If the disc is loaded under the following conditions, shuffle play will resume from the point at which play was stopped:

- *If the vehicle ignition is turned off, then on again.*
- *If the power is switched off, then on again with the ON/OFF button.*

SCAN MODE (PLAYING THE BEGINNING OF TRACKS) 7

This function plays the first 10 seconds of each track sequentially. Press button ⑦ to play the first 10 seconds of each track in order. The system will remain in this mode until it is cancelled.

To cancel this mode, press button ⑦ again. The system will remain in this mode until it is cancelled.

Note

Scan mode will be cancelled when the vehicle ignition is turned off, when the ON/OFF button is pressed, or when the disc is ejected.

REPEAT MODE 1, 8

- Repeating tracks Press button ⑧ to play the current track repeatedly.
- Repeating the disc The system continues playing the disc until button ① is pressed again or the disc is ejected.

Note

If the disc is loaded under the following conditions, the CD resumes playing from the point at which play was stopped:

- *If the vehicle ignition is turned off, then on again.*
- *If the power is switched off, then on again with the ON/OFF button.*

ERROR SIGNS

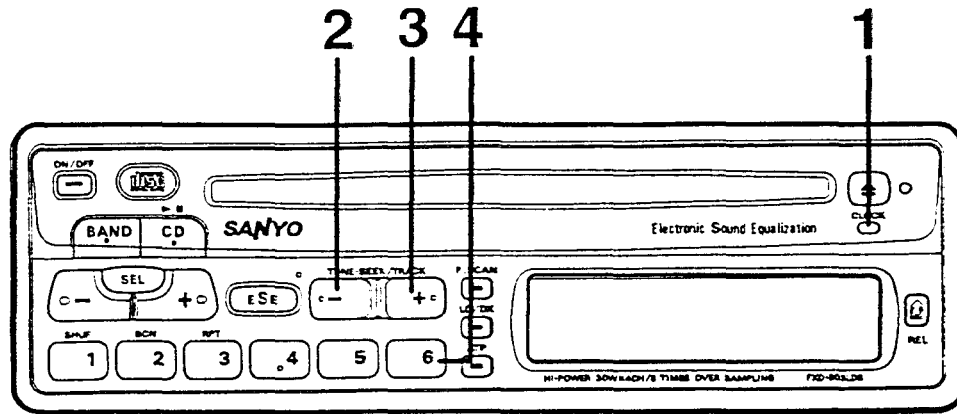
If a problem should occur while operating the CD player, one of the following error signs may be displayed.

Error Sign	Cause	Remedy
E01	Loading and / or unloading has failed.	Insert the disc properly.
E07	The disc is inserted incorrectly. The disc is dirty. The disc is defective.	Insert the disc properly. Clean the disc. Use another disc.
L Err	The unit does not work.	Contact your place of purchase or a Sanyo Authorized Service Center.

Note

- *If the unit does not work at all, press the reset button.*
- *When E01 or E07 is displayed, a CD is automatically ejected. In this case, remove the CD from the disc slot and load it again, or press the reset button.*

CLOCK



TIME DISPLAY 1

Press button ① to display the time. Pressing the button will display the time even when the system is switched off.

The time display appears for approximately 5 seconds.

ADJUSTING THE TIME 1, 2, 3

You can adjust the clock while the time is displayed even when the system is switched off.

To adjust the time, press button ② or ③ while pressing button ①.

To adjust the hour, press button ②.

To adjust the minutes, press button ③.

If button ② or ③ is held while pressing button ①, the displayed time will advance rapidly.

CLOCK RESET 1, 4

You can reset the clock to the nearest half-hour, while the time is displayed, even when the system is switched off.

Press button ④ while pressing and holding button ① to skip to the nearest half-hour as follows.

Example: 3:00~3:29 → 3:00

3:30~3:59 → 4:00

Note

- This unit uses a 12-hour clock.
- The clock function and radio presets are retained in memory when the audio is switched off.

HINTS FOR PROPER AND SAFE OPERATION

• Condensation

Moisture can condense on the optical lens of the CD player, during rainy humid days or right after the car heater is turned on. If this should occur, the disc player cannot function properly. To remedy the situation remove the disc from the unit and wait approximately one hour. During this time the moisture will evaporate and the unit will operate normally.

• Temperature Consideration

The unit may not operate correctly in extremely hot or cold temperatures. Avoid exposing the unit to extremely high or low temperatures.

• Interruptions in sound (Skipping)

When the car is driven on very rough surface, the sound from the CD player may skip and be interrupted. This will not cause any damage to the disc or the player. If this should occur, wait for the road surface to improve.

• Safety

For safer driving, keep the volume at a moderate level, to enable you to hear outside sounds (such as emergency vehicle sirens).

- **Cleaning the unit**

Clean the unit with a soft dry cloth. Stains should be removed by wiping the surfaces with a soft cloth immersed in lukewarm water and wrung dry. Never use chemicals or solvents. These will damage the finish of the unit.

- **Disc care**

When not using the disc player for extended periods of time, remove the compact disc and return it to the plastic storage case. Do not leave a disc partially ejected from the player. This can expose the disc to dust and direct sunlight, which can warp the disc.

- **Servicing**

Should a problem develop, do **not** open the unit or try to repair it yourself. If servicing is required, return the unit to an authorized SANYO mobile audio dealer.

TROUBLESHOOTING

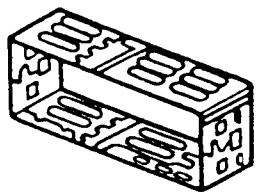
At times a simple operational error or a mistake in the wiring can appear to be a problem with the unit. Before having the unit serviced, refer to the troubleshooting chart below.

Symptom	Cause	Solution
The unit eject the disc.	The compact disc is being inserted upside down.	Insert the compact disc with the label side facing up.
	The compact disc is extremely dirty.	Clean the compact disc.
	There is condensation on the optical lens.	Leave the disc player off for an hour or so, then try again.
The compact disc does not play when inserted into the unit.	The volume control is turned down.	Turn up the volume control.
	The power connections are not wired correctly.	Check the +12V and ground connection.
	The speakers are not wired correctly.	Check the speaker connections.
No power.	The vehicle ignition switch is turned off.	Switch the ignition switch to "ON" or "ACC".
	The fuse is blown.	Replace the fuse with another 10A fuse.
	The connecting pins on the front of the unit or on the back of the front panel are dirty.	Clean the connecting pins using a soft cloth or a contact cleaner.
The unit does not work properly (Eject, Load, Play).	The microcomputer is being affected by electrical noise.	Eject the disc and then insert it again. Press the Reset button.
The sound from the CD player skips.	The road surface is rough.	Wait for the road surface to improve.
	The unit is not mounted securely.	Install the unit securely.
	The compact disc is defective.	Try another disc. If it plays properly, the first disc may be defective.
	The compact disc is dirty.	Clean the disc as explained on page 3.

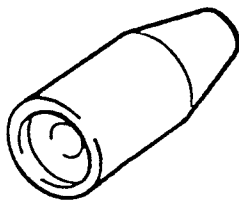
Symptom	Cause	Solution
No radio reception.	The antenna cable is not connected.	Insert the antenna cable firmly into the antenna jack on the unit.
The radio does not stop on any stations when automatic tuning is used.	The unit is in local mode.	Press the LO/DX button and select the distant mode.
	The signals are weak.	Select a station using manual tuning.
Function buttons do not operate.	The unit must be reset.	Press the RESET button.

ACCESSORIES AND HARDWARE

INSTALLATION



Mounting Bracket
(Half Sleeve) × 1

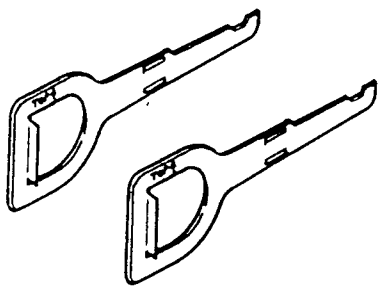


Mounting Grommet
× 1



Mounting Screw M5
× 1

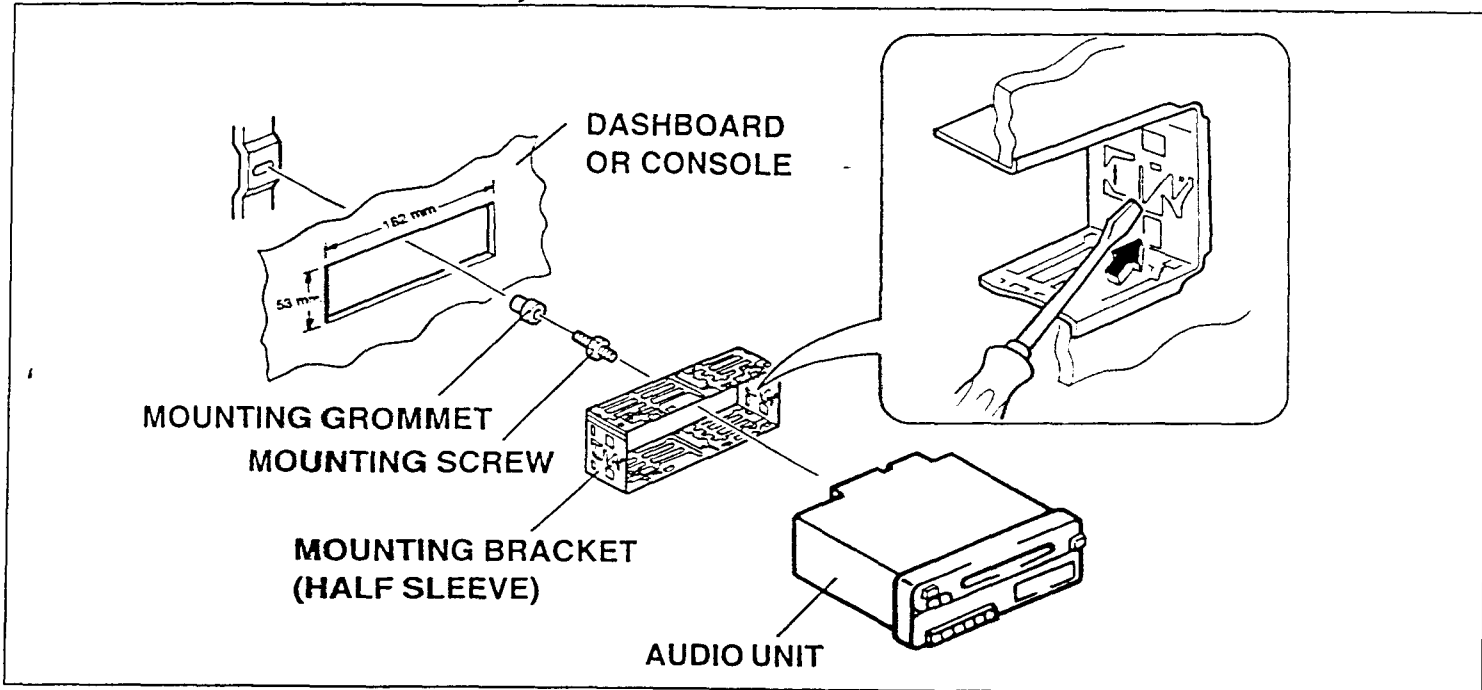
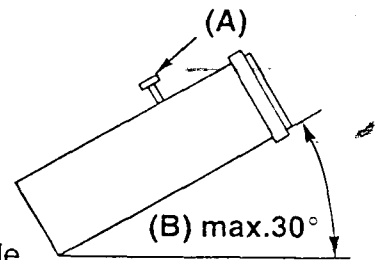
SET REMOVAL



Unlock Levers
× 2

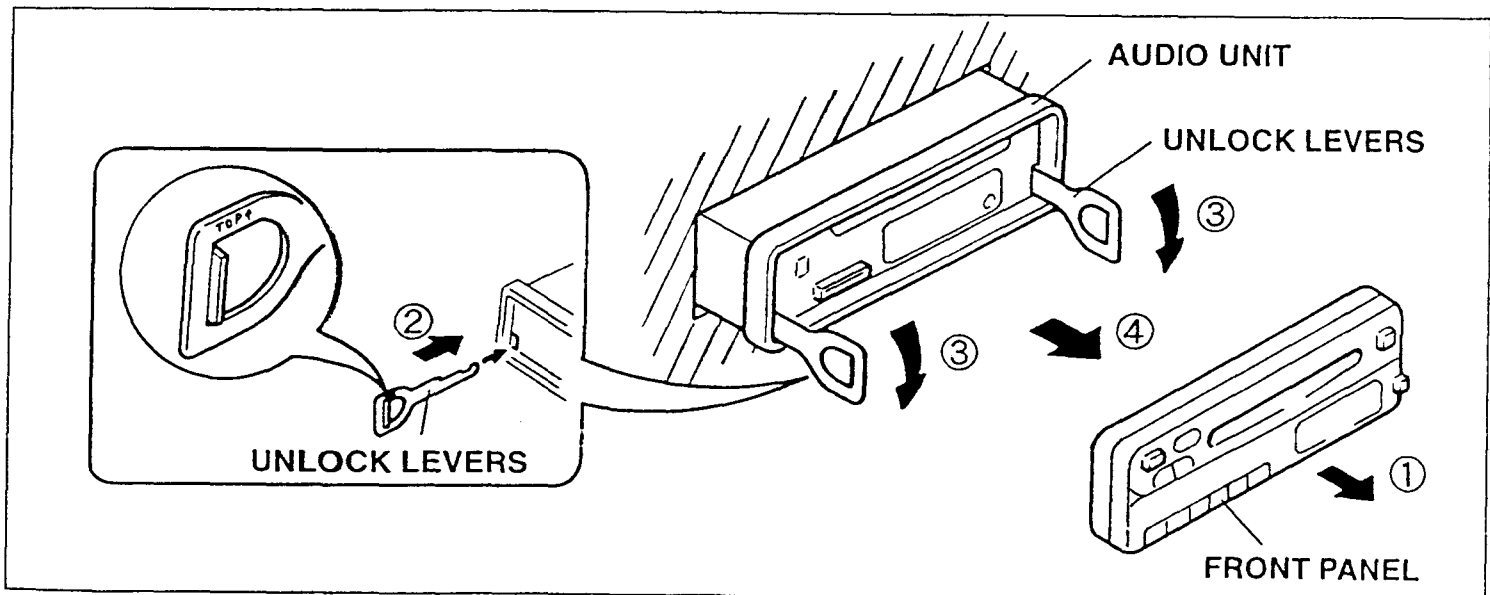
INSTALLATION

- A) In order to protect the disc player from shocks during shipping, a shipping screw is attached to the disc player. Be sure to remove this screw before installing the unit into the vehicle. The compact disc player will not operate unless this screw has been removed.
- B) When mounting the unit in a car, keep the unit as level as possible. If the unit must be mounted at an angle, due to the design of the vehicle, make sure the unit does not tilt by more than 30°.



1. Insert the mounting bracket into the DIN-standard cutout (182 × 53 mm) in the dashboard or console.
2. Bend the mounting bracket stopper outward until the bracket fits snugly in the cutout.
3. Install the supplied mounting screw (M5) in the audio unit. Cover the mounting screw with the supplied mounting grommet.
4. Push the unit into the mounting bracket until it locks in place.

UNIT REMOVAL



1. Remove the front panel.
2. Insert the unlock levers into the slots on each side of the unit until they click into place.

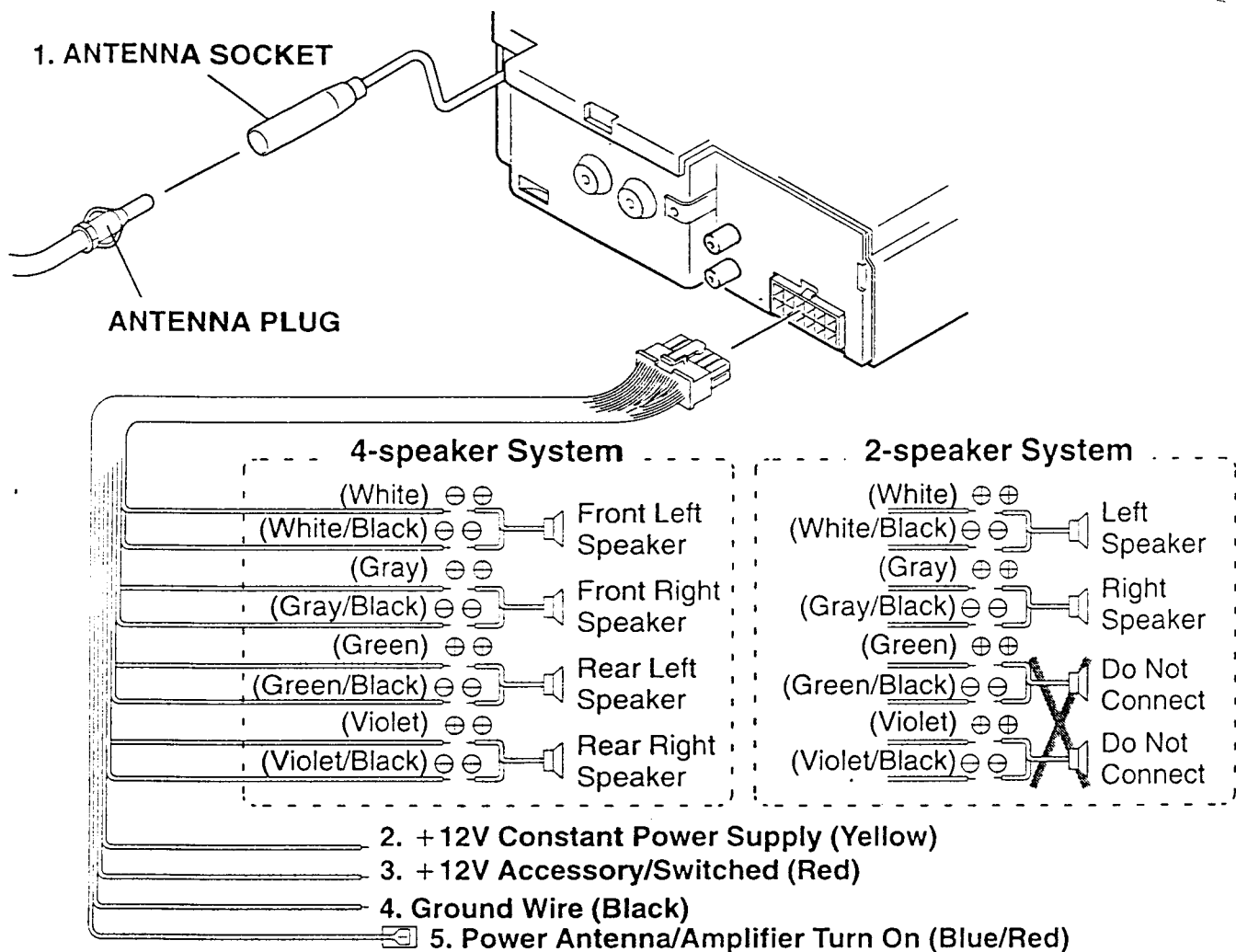
Note

Take care not to insert the levers upside down.

3. While pressing the levers downward, pull the levers to remove the audio unit.

ELECTRICAL CONNECTIONS

WIRING



⚠ CAUTION

- DO NOT connect any speaker wires to the metal body or chassis of the vehicle.
- DO NOT connect the speaker common (-) wires to each other.
- Connect each speaker wire directly to each speaker terminal.
- All speaker common (-) wires must remain floating.

1 Antenna socket

- Insert the antenna plug installed in your vehicle into this socket. (If your vehicle has a dual antenna system, a dual antenna to single antenna cable adaptor may be required.)

2 +12V Constant Power Supply (Yellow)

- Connect this wire to the +12V power terminal which receives power continuously.

3 +12V Accessory/Switched (Red)

- Connect this wire to the terminal which receives power while the ignition switch is ON or in the ACCESSORY position.
- In the case of a vehicle not having ACC, connect this wire to a +12V power terminal which receives power continuously. (Same as terminal 2.)

4 Ground wire (Black)

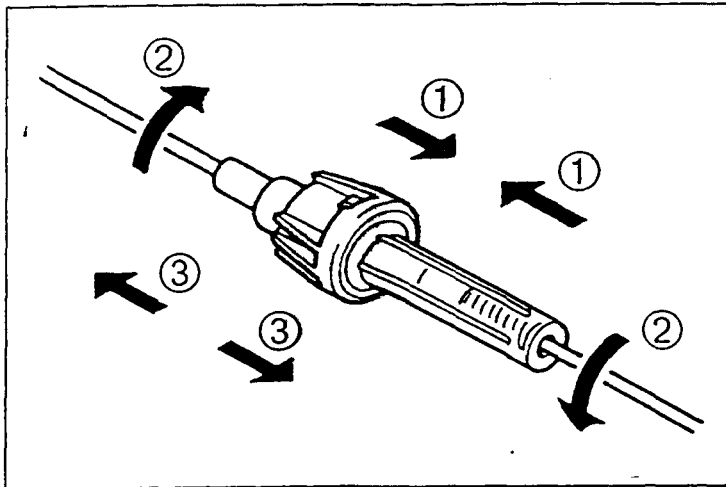
- Connect this wire to the vehicle chassis.

5 Power Antenna/Amplifier Turn On (Blue/Red)

- Connect this wire to the control terminal of a Power Antenna or an external amplifier.
- When not using a Power Antenna or an external amplifier, this wire is not connected.

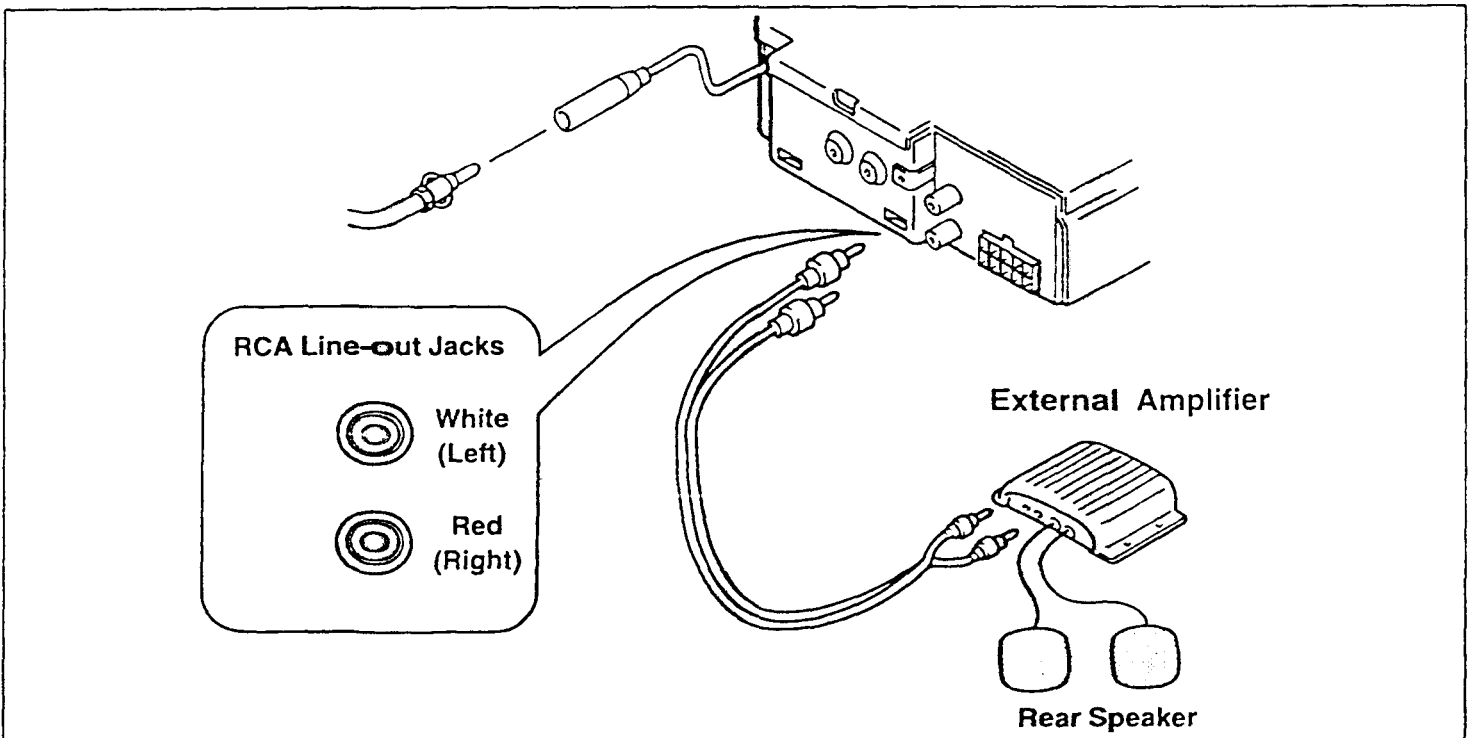
Notes

- When using a two-speaker installation, the Green, Green/Black, Violet and Violet/Black wires, which are used for a four-speaker installation, are not used. The ends of these wires must be covered with isolation tape to prevent them from shorting to the unit or vehicle chassis.
- When using a two-speaker installation, set the FADER control to the center position.
- When not using a Power Antenna/External Amplifier, cover the end of the Blue/Red wire with isolation tape to prevent it from shorting to the unit or vehicle chassis.
- When fuse replacement is necessary, remove the blown fuse installed in the yellow continuous power wire of the accessory wire assy.
Push together and twist the fuse holder's parts until they spring apart.
Then install the new 10 amp. fuse.



LINE TERMINAL CONNECTIONS

- Since this unit has output terminals, you can use an amplifier to upgrade your vehicle stereo system.



RCA Line-out Jacks (For Rear Speakers)

- Connect a patch cable (not supplied) from the White (left rear channel) and Red (right rear channel) RCA line output jacks of the FXD-803LDS to the line input terminals of the external amplifier.