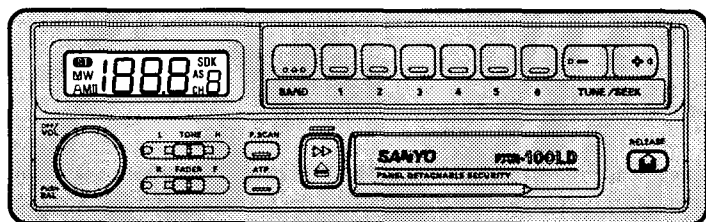


SANYO

FXR-100LD



FXR-100LD

Partial Panel Detachable Din-Size FM-Stereo/MW/LW ETR Cassette Receiver with Auto-Travel Preset Tuning

(English)

OPERATING INSTRUCTIONS 1~10

(Français)

MODE D'EMPLOI 11~20

(Italiano)

ISTRUZIONI SULL'USO 21~30

(Español)

LIBRITO DE INSTRUCCIONES 31~40

(Português)

INSTRUÇÕES DE UTILIZAÇÃO 41~50

(中国語)

使用説明書 51~60

GB

F

I

E

P

中

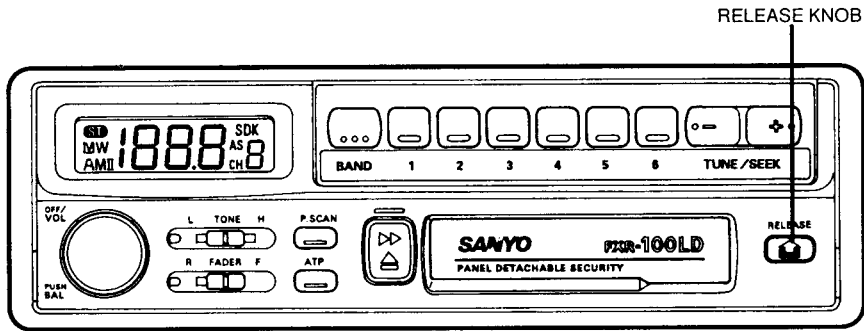
CONTENTS

DETACHABLE FRONT PANEL	2
GENERAL OPERATION	3
TAPE OPERATION	4
RADIO OPERATION	5
ACCESSORIES AND HARDWARE	7
INSTALLATION	8
UNIT REMOVAL	8
ELECTRICAL CONNECTIONS	9

CAUTION

- This unit is designed to operate on 12 volts DC, **NEGATIVE** ground electrical systems only.
- When fuse replacement is necessary, use only a 5 amp fuse. Do not replace with a higher rated fuse. If the fuse blows often, carefully check all electrical connections for any short circuits and have your car's voltage regulator checked also. Do not attempt to repair the unit by yourself; return the unit for servicing to your nearest SANYO car audio dealer.
- The highly-polished playback head should not come into contact with any metallic or magnetic tools.
- Clean the tape head, pinch roller, and capstans at least once a month using a quality audio head-cleaning cassette.
- To avoid possible system trouble, do not use tapes with wrinkled or half-peeled labels.

DETACHABLE FRONT PANEL

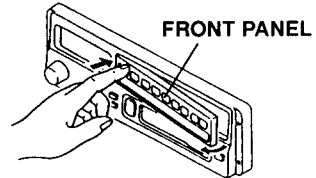


Part of the front panel can be removed to prevent theft.

When leaving the vehicle, we recommend you to remove this section and take it with you.

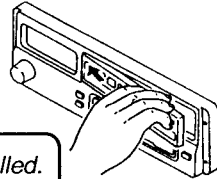
HOW TO DETACH

- 1 Push the release knob.
The removable panel will swing out as shown in the illustration.
- 2 Pull the panel out.
If the panel is not thrust out much, press the detachable panel as illustrated.



HOW TO REPLACE

Align the left side of the panel with the stopper, and then push the right side of the panel into the unit until it clicks.



Note

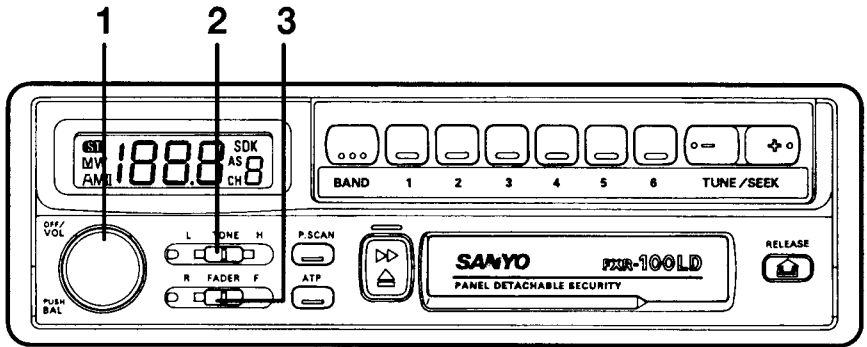
The unit will not operate with the front panel incorrectly installed.

CAUTION

- Do not attempt to remove the panel in a manner other than that described above.
- When installing the panel, do not force it into the unit.
- Use a clean, dry cloth when cleaning the terminals.
- Keep the panel out of direct sunlight and high temperatures.
- Prevent the panel from coming into contact with benzine, thinner, or insecticides.
- Do not drop the panel.

GB

GENERAL OPERATION



TURNING ON THE UNIT

Install the front panel and turn knob ① clockwise.

FUNCTION OFF 1

Turn knob ① counterclockwise.

VOLUME CONTROL 1

To increase volume, rotate knob ① clockwise. To reduce, rotate counterclockwise.

GB

GB TONE CONTROL 2

To control the tone, slide lever ② to right-hand side to enhance high-frequency sound, and to left-hand side to enhance low-frequency sound.

BALANCE CONTROL 1

This control adjusts the left/right channel balance. Rotate knob ① clockwise while pressing the knob to shift the sound to the right channels and counterclockwise to left channels.

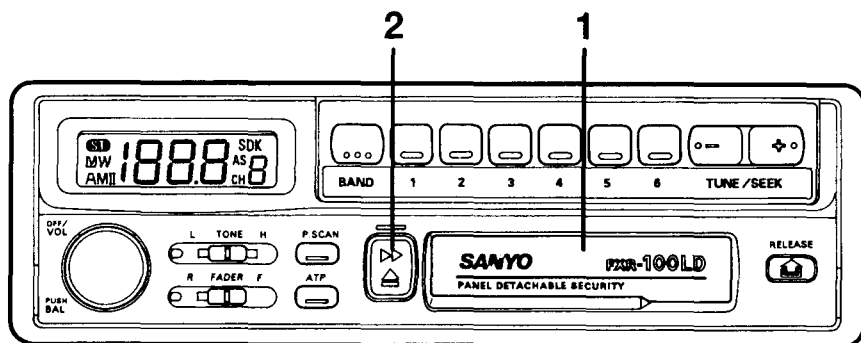
FADER CONTROL 3

This control adjusts the volume balance between the front and rear speakers. Slide lever ③ to right-hand side to shift the sound to the rear speakers, and to left-hand side to the front speakers.

Note

The FADER control has no effect on the output when using a two speaker installation. Under this condition, set the FADER control to the center position.

TAPE OPERATION



SELECTING TAPE MODE

Insert a cassette into the tape slot ① and the tape player will start.
The unit plays the upper side of the tape.

FAST FORWARD 2

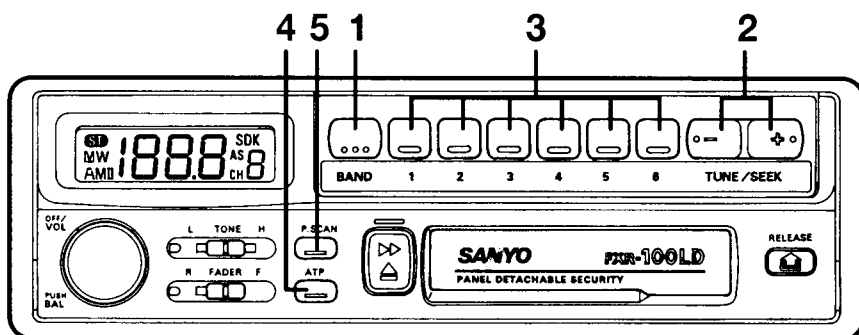
Lightly press button ② to fast-forward the tape.
After fast forwarding, lightly press the button again to resume playing.

EJECTING A TAPE 2

Press button ② to eject a tape.
The unit turns into radio mode and receives the last tuned station.

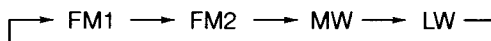
GB

RADIO OPERATION



SELECTING RADIO BAND

Press button ① to select the desired band while in radio mode.



RADIO TUNING 2

- Manual tuning To select higher frequency stations, press the ⊕ button (for less than 0.5 seconds). To select lower frequency stations, press the ⊖ button. To quickly scan up or down in frequency, press and hold the ⊕ or ⊖ button, Release and press again the button when the desired frequency appears on the display.
 - A flashing decimal point in the frequency display indicates that the system is receiving a station 50 kHz higher than the displayed frequency.
- Automatic tuning Press the ⊕ or ⊖ button for more than 0.5 seconds. When the button is released, the system will start automatic tuning and stop at the next receivable station.

STORING PRESET STATIONS 3

GB

- The preset buttons can be used to store 6 stations in each band (FM1, FM2, MW and LW) for quick tuning.
- Programming stations ...
 - 1 Select the desired band and tune in the station you want to store in memory.
 - 2 Press and hold one of the preset buttons for more than 1.5 seconds. Repeat steps 1 and 2 to program further stations.
 - Quick tuning Select a desired band and press one of the six preset buttons.

ATP (AUTO TRAVEL PRESET) 3, 4

With this function, the system searches for and memorizes the 6 strongest stations in one of the three bands (FM1, FM2, MW) in order of signal strength.

This feature is useful when you are driving in an unfamiliar location and want to memorize local stations without changing the standard preset stations.

A total of 12 stations (6 FM and 6 MW) can be programmed.

- To set the stations
 - 1 Select the desired band.
 - 2 Press and hold button ④ for more than 1.5 seconds. "AS" will appear in the display. When the stations have been memorized, scanning will stop and the strongest station will be received.

Quick Tuning of ATP Stations

- Select the desired band.
- Press button ④ if the "AS" indicator does not appear in the display.
- Press preset button ⑤ to select the desired ATP preset. If a total of six stations cannot be preset "—" will be displayed for the empty channels.

Notes

- *If no station can be received, "-- --" will appear in the display. The system will tune to the station which was being received before the ATP function was selected.*
- *If there are less than 6 stations which can be received, the system will memorize these stations and start receiving the one memorized first.*

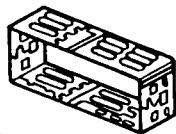
PRESET-SCAN-BUTTON OPERATION 5

This function scans each of the preset stations stored in the selected band (both manual presets and auto travel presets).

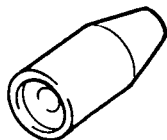
- To scan
 - 1 Select the desired band or ATP mode. Press button ① for FM1, FM2, LW or MW band, or press button ④ for less than 0.5 seconds for ATP mode.
 - 2 Press button ⑤. The system will sequentially receive each preset station for 5 seconds.
 - 3 To hold the station, press button ⑤ again during this five second period.

ACCESSORIES AND HARDWARE

INSTALLATION



Mounting Bracket
(Half Sleeve) x 1

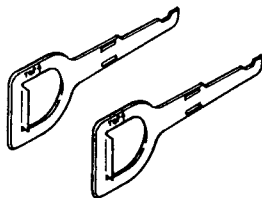


Mounting Grommet
x 1



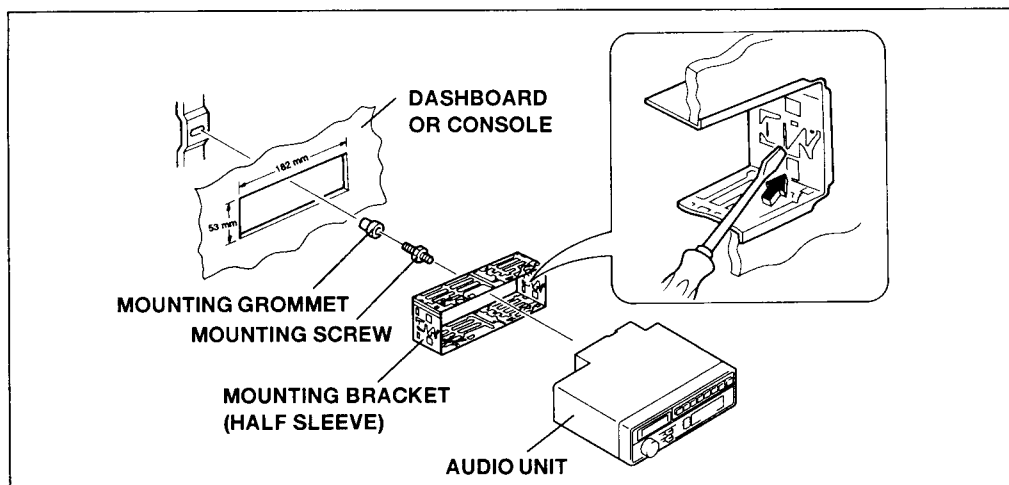
Mounting Screw M5
x 1

SET REMOVAL



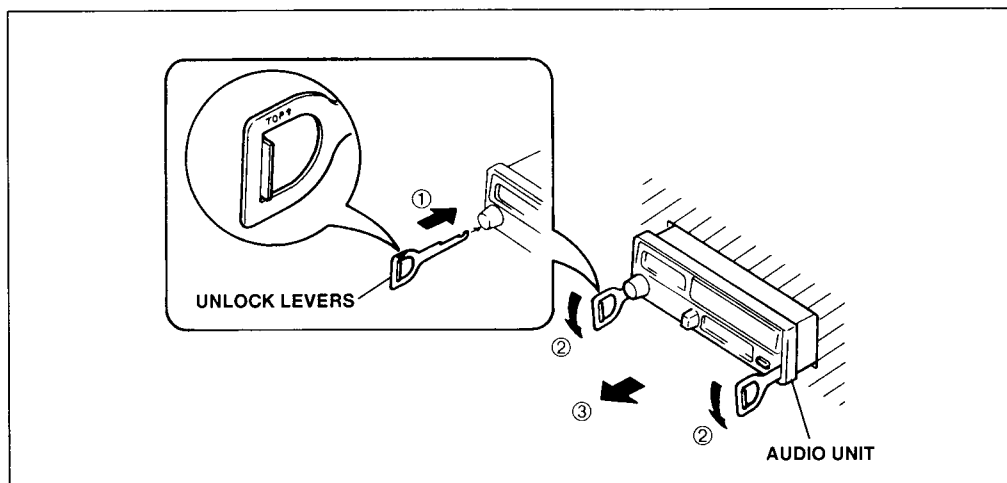
Unlock Levers
x 2

INSTALLATION



1. Insert the mounting bracket into the DIN-standard cutout (182 × 53 mm) in the dashboard or console.
2. Bend the mounting bracket stopper outwards until the bracket fits snugly in the cutout.
3. Install the supplied mounting screw (M5) in the audio unit.
Cover the mounting screw with the supplied rubber cap.
4. Push the unit into mounting bracket until it locks in place.

UNIT REMOVAL



1. Insert the pair of unlock levers into the slot on each side of the front panel until it clicks.

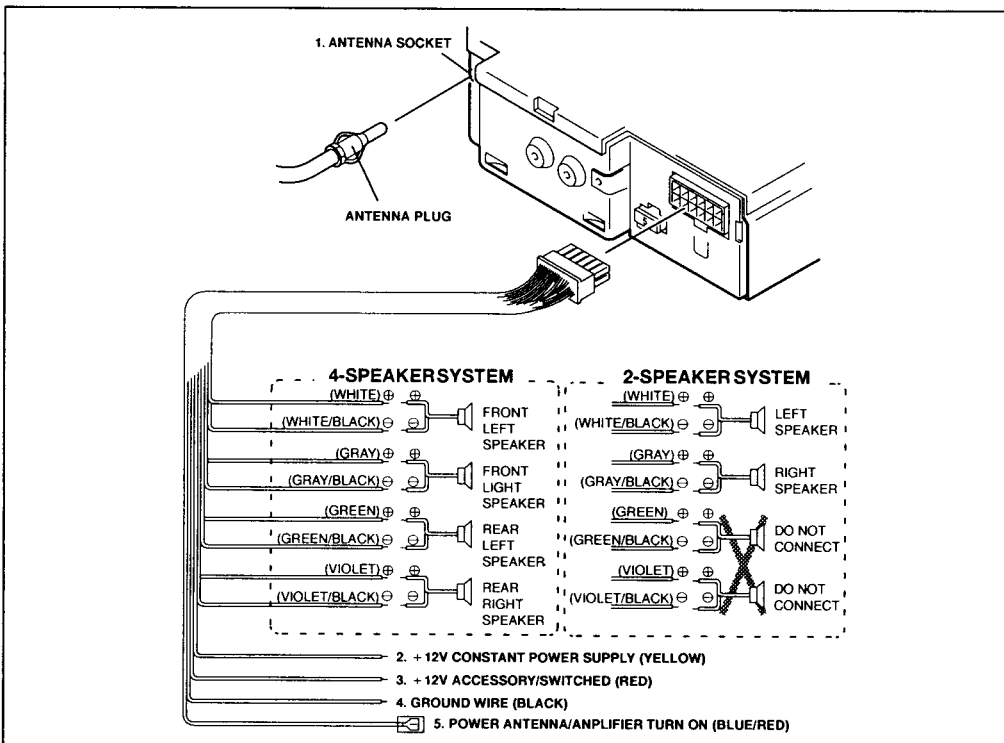
Note

Take care not to insert the levers upsidedown.

2. Pressing the levers downward, pull the levers to remove the audio unit.

ELECTRICAL CONNECTIONS

WIRING



Caution

- DO NOT connect any speaker wires to the metal body or chassis of the vehicle.
- DO NOT connect the speaker common (–) wires to each other.
- Connect each speaker wire directly to each speaker terminal.
- All speaker common (–) wires must remain floating.

1 Antenna socket

- Insert the antenna plug installed in your vehicle into this socket.

2 +12V Constant Power Supply (Yellow)

- Connect this wire to the +12V power terminal which receives power continuously.

3 +12V Accessory/Switched (Red)

- Connect this wire to the terminal which receives power while the ignition switch is ON or in the ACCESSORY position.
- In the case of a vehicle not having ACC, connect this wire to a +12V power terminal which receives power continuously. (Same as terminal 2.)

4 Ground wire (Black)

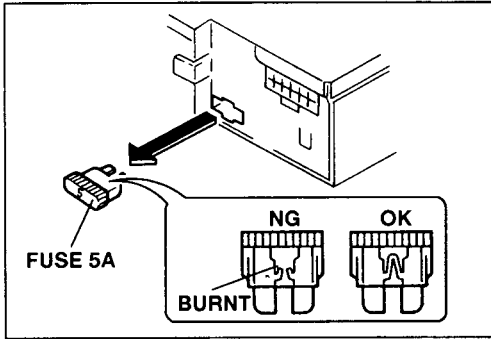
- Connect this wire to the vehicle chassis.

5 Power Antenna/Amplifier Turn On (Blue/Red)

- Connect this wire to the control terminal of a Power Antenna or an external amplifier.
- When not using a Power Antenna or an external amplifier, this wire is not connected.

Notes

- When using a two-speaker installation, set the FADER control to the center position.
- When not using a Power Antenna/External Amplifier, cover the end of the Blue/Red wire with electrical tape to prevent it from shorting to the unit or vehicle chassis.
- When using a two-speaker installation, the Violet, Gray/Black, Green and White/Black wires, which are used for a four-speaker installation, are not used. The ends of these wires must be covered with electrical tape to prevent them from shorting to the unit or vehicle chassis.



- When fuse replacement is necessary, remove the blown fuse by using pliers. Then install the new 5 amp fuse.