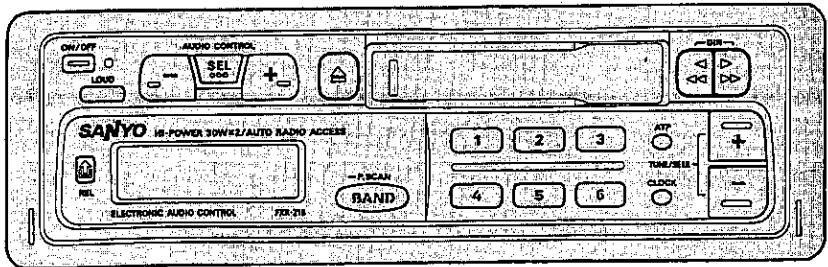


SANYO

FXR-215GD



Full Panel Detachable

FXR-215GD

Digital AM/FM Stereo

Auto Reverse Cassette Receiver

ISO Mounting with Removable Trim Ring

CONTENTS

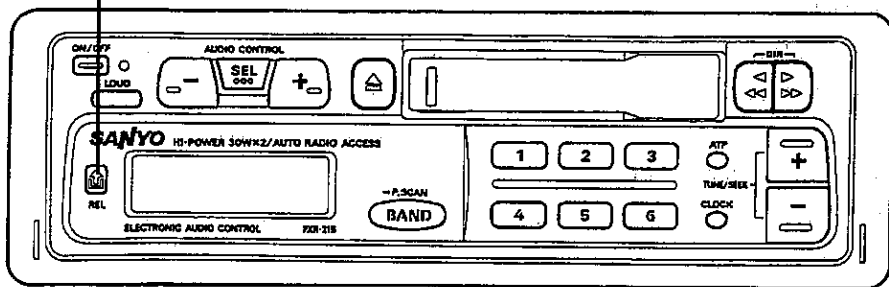
| | |
|--------------------------------|----|
| DETACHABLE FRONT PANEL | 2 |
| GENERAL OPERATION | 3 |
| TAPE OPERATION | 5 |
| RADIO OPERATION | 6 |
| CLOCK | 8 |
| ACCESSORIES AND HARDWARE | 9 |
| INSTALLATION | 10 |
| UNIT REMOVAL | 11 |
| ELECTRICAL CONNECTIONS | 12 |

CAUTION

- This unit is designed to operate on 12 volts DC, **NEGATIVE** ground electrical systems only.
- When fuse replacement is necessary, use only a 10 amp fuse. Do not replace with a higher rated fuse. If the fuse blows often, carefully check all electrical connections for any short circuits and have your car's voltage regulator checked also.
- Do not install the unit where it will be exposed to direct sunlight or hot air discharged from the car heater.
- Do not expose the unit to water or moisture.
- This AM/FM Radio with Cassette should not be adjusted or repaired by anyone except qualified service personnel. If servicing is required, return the unit to an authorized SANYO car audio dealer.
- Use of controls or adjustments or performance of procedures other than those specified herein may result in hazardous radiation exposure.
- Changes or modifications not expressly approved by Sanyo may void the user's authority to operate this equipment.

DETACHABLE FRONT PANEL

RELEASE KNOB



The front panel is designed to be removable for antitheft purposes.

It is recommended that you remove and carry the front panel with you when you leave your car.

A carrying case is provided with the unit for this purpose.

HOW TO DETACH THE FRONT PANEL

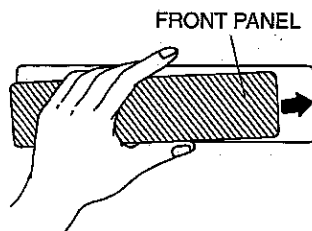
- 1 Push the release knob (REL) to release the front panel.
- 2 Pull the entire panel to remove it from the unit.

HOW TO REPLACE THE FRONT PANEL

Align the right side of the panel with the stopper, and then push the left side of the panel into the unit until it clicks.

Note

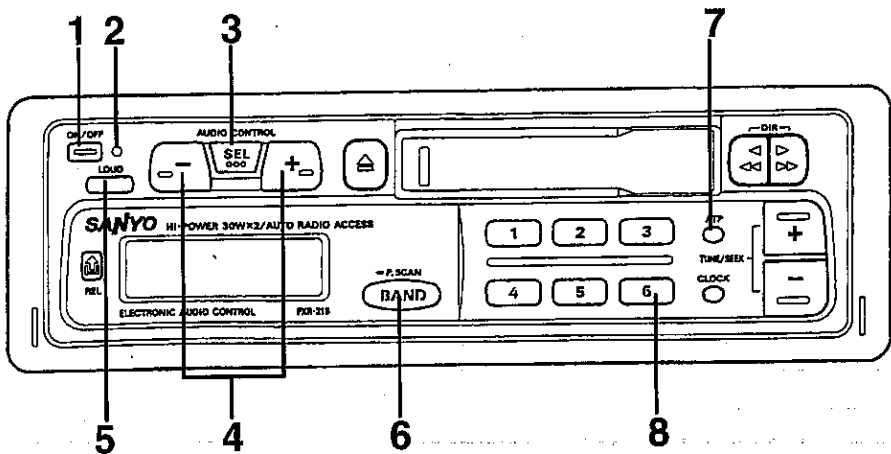
The unit will not operate if it is installed incorrectly.



CAUTION

- Do not attempt to remove the panel in a manner other than that described above.
- When installing the panel, do not force it into the unit.
- Do not touch the connection terminals of the panel or the unit. It may cause poor contact.
- Use a clean, dry cloth when cleaning the terminals.
- Keep the panel out of direct sunlight and high temperatures.
- Prevent the panel from coming into contact with benzene, thinner, or insecticides.
- Do not drop the panel.

GENERAL OPERATION



TURNING THE POWER ON

Install the front panel and press the ON/OFF button ①.

TURNING THE POWER OFF 1, 2

Press the ON/OFF button ① to stop the current operation.
The LED ② lights when the ACC is on.

ELECTRONIC CONTROLS 3, 4

Press the SEL button ③ to select the audio functions as shown in the table below.
To adjust the volume, press the AUDIO CONTROL button ④ while in the volume mode.
To adjust the bass, treble, balance or fader, press the SEL button to select the desired operation, then press the ⊖ or ⊕ side of the AUDIO CONTROL button.

Note

While no other mode is displayed, the AUDIO CONTROL button functions as a volume control.

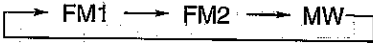
| MODE | ⊖ (Min) | ⊕ (Max) |
|------|----------|----------|
| VOL | Down 0 | Up 50 |
| BAS | Down -5 | Up +5 |
| TRE | Down -5 | Up +5 |
| BAL | Left L9 | Right R9 |
| FAD | Front F9 | Rear R9 |

LOUDNESS (LOUD) BUTTON 5

Press the LOUD button ⑤ to enhance the low-frequency sound at all volume levels. When the LOUDNESS is on, **on** is displayed for 3 seconds. Press the LOUD button again to turn the LOUDNESS off and **off** is displayed for 3 seconds.

RADIO BAND SELECTION BUTTON (BAND) .. 6

Each time the button is pressed, the function changes as shown below.

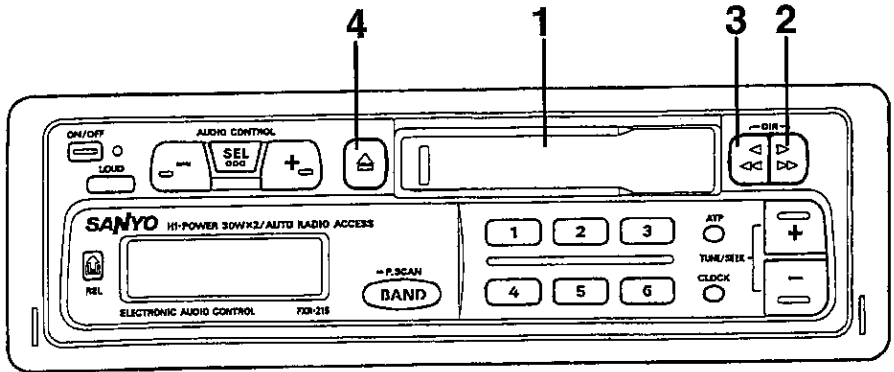


TO CANCEL THE BEEP TONES 1, 7, 8

The unit emits a beep tone to confirm that a function button has been pressed. To cancel the function, follow the procedures below.

- 1 Turn off the power by depressing the ON/OFF button ①.
- 2 With ACC on, press the ATP button ⑦ and preset button 6 ⑥ simultaneously until the display lights. The beep tones are cancelled and **boFF** is displayed.
- 3 To turn the beep tones on again, repeat steps 1 and 2 and **boN** is displayed.

TAPE OPERATION



SELECTING TAPE MODE

Insert a cassette into the tape slot ① and the tape player will start.

SWITCHING THE TAPE DIRECTION 2, 3

Press buttons ② and ③ simultaneously.

- When the tape reaches the end of one side, the unit will automatically switch to the opposite side of the tape.

FAST FORWARD AND REWIND 2, 3

Press button ② to fast-forward; press button ③ to rewind the tape. To stop fast forwarding or rewinding, lightly press the opposite button ② or ③ to return to the play mode.

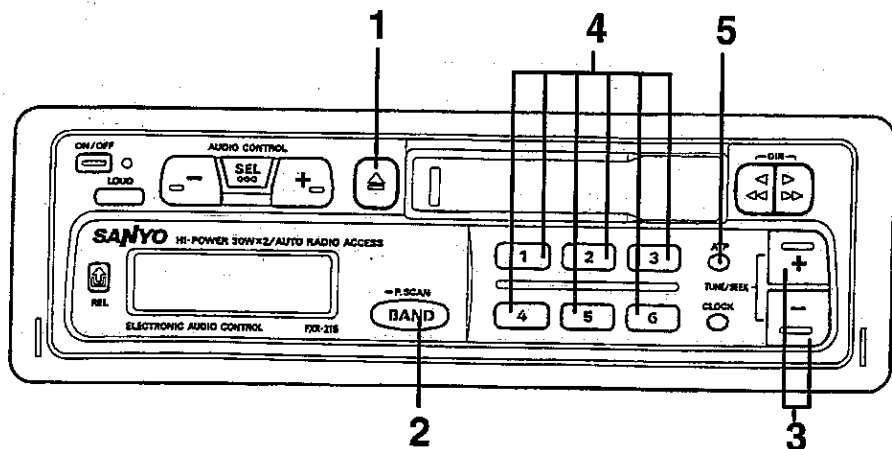
During fast forward and rewind, the radio monitor is activated. The unit receives the station selected last.

EJECTING THE TAPE 4

Press the EJECT button ④ to eject a tape.

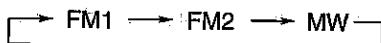
The system will return to the audio source selected last.

RADIO OPERATION



SELECTING RADIO MODE

To switch from tape to the radio mode, press EJECT button ①.
Each time the BAND button ② is pressed, the selected band changes as shown below.



RADIO TUNING 3

- Automatic tuning Press the TUNE/SEEK ⊕ or ⊖ button ③ for more than 2 seconds. When the button is released, the system will start automatic tuning and stop at the next receivable station.
- Manual tuning To select higher frequency stations, press the ⊕ button for less than 0.5 seconds. To select lower frequency stations, press the ⊖ button for less than 0.5 seconds. To quickly scan up or down in frequency, press and hold the ⊕ or ⊖ button. Release the button when the display approaches the desired frequency, then press and release the button repeatedly until the desired frequency is displayed. A flashing decimal point in the frequency display indicates that the system is receiving a station 50 kHz higher than the displayed frequency.

STORING PRESET STATIONS 4

The preset buttons ④ can be used to store 6 stations in each band (FM1, FM2, and MW) for convenient access to your favorite stations.

- Programming stations ...
 - 1 Select the desired band, then tune in the station you want to store in memory.
 - 2 Press and hold one of the preset buttons for more than 2 seconds. Repeat steps 1 and 2 to program additional stations.
- Quick tuning Select the desired band, then press one of the six preset buttons.

ATP (AUTO TRAVEL PRESET) OPERATION 5

The Auto Travel Preset function searches for and memorizes the 6 strongest stations in one of the two bands (FM, MW) in order of signal strength.

This feature is useful when you are driving in an unfamiliar location and want to memorize local stations without changing the standard preset stations.

A total of 12 stations (6 FM and 6 MW) can be programmed.

- To set the stations
 - 1 Select the desired band.
 - 2 Press and hold the ATP button ⑤ for more than 2 seconds. "ATP" appears in the display.

When the stations have been memorized, scanning stops and the strongest station is selected.

Quick Tuning of ATP Stations

- Select the desired band.
- Press the ATP button if the "ATP" indicator does not appear in the display.
- Press the ATP button for less than 1 second to select the ATP presets in sequence. If a total of six stations cannot be preset "----" will be displayed for the empty channels.

- To scan programmed stations ... See "PRESET-SCAN-BUTTON OPERATION".

Notes

- If no station can be received, "----" appears in the display.
- If fewer than 6 stations can be received, the system will memorize as many stations as possible, then select the one memorized first.

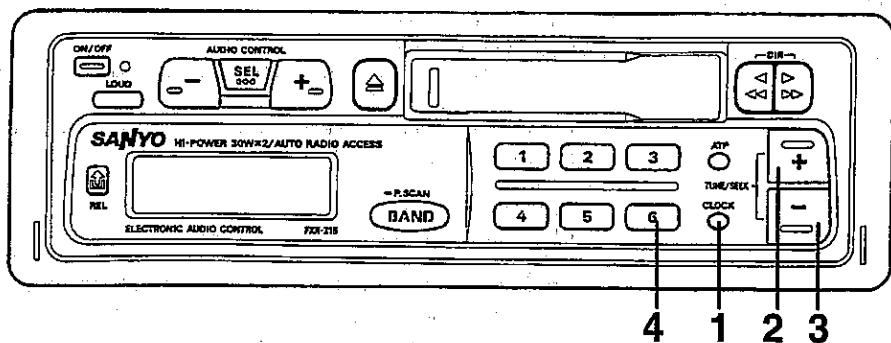
PRESET-SCAN-BUTTON OPERATION 2, 5

This function scans each of the preset stations stored in the selected band (both manual preset and auto travel presets).

- 1 Select the desired band or ATP mode.

Press the BAND/P.SCAN button ② for FM1, FM2 or MW, or press the ATP button ⑤ for less than 0.5 seconds to select the ATP mode.
- 2 Press the BAND/P.SCAN button ② for more than 2 seconds. The system will select and receive each preset station for 5 seconds.
- 3 To stop scanning and retain the station currently selected, press the BAND/P.SCAN button ② again during this five-second period.

CLOCK



DISPLAY MODE CHANGE 1

The display on the unit can be changed by pushing button ①. Pushing button ① alternates the display between time and radio/tape. Press the CLOCK button ① to switch between the clock and audio display. When a radio, or tape function is performed while the time display is selected, the audio display will appear for 10 seconds, then the display will return to the time mode.

ADJUSTING THE TIME 1, 2, 3

To adjust the time, press the TUNE/SEEK ⊕② or ⊖③ button while pressing the CLOCK button ①.

To adjust the hour, press the ⊕ button.

To adjust the minutes, press the ⊖ button.

To advance the time rapidly, hold the ⊖ or ⊕ button continuously.

CLOCK RESET 1, 4

Press preset button 6 ④ while holding the CLOCK button to skip to the nearest half-hour as follows:

Example: 3:00~3:29 → 3:00

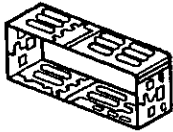
3:30~3:59 → 4:00

Notes

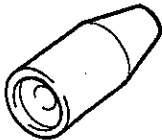
- This unit uses a 12-hour clock.
- The clock function and radio presets are retained in memory when the audio is switched off.

ACCESSORIES AND HARDWARE

INSTALLATION



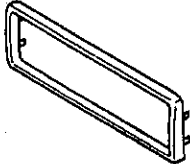
Mounting Bracket
(Half Sleeve) x 1



Mounting Grommet
x 1

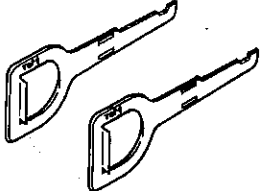


Mounting Screw M5
x 1



Removable Trim Ring
x 1

SET REMOVAL

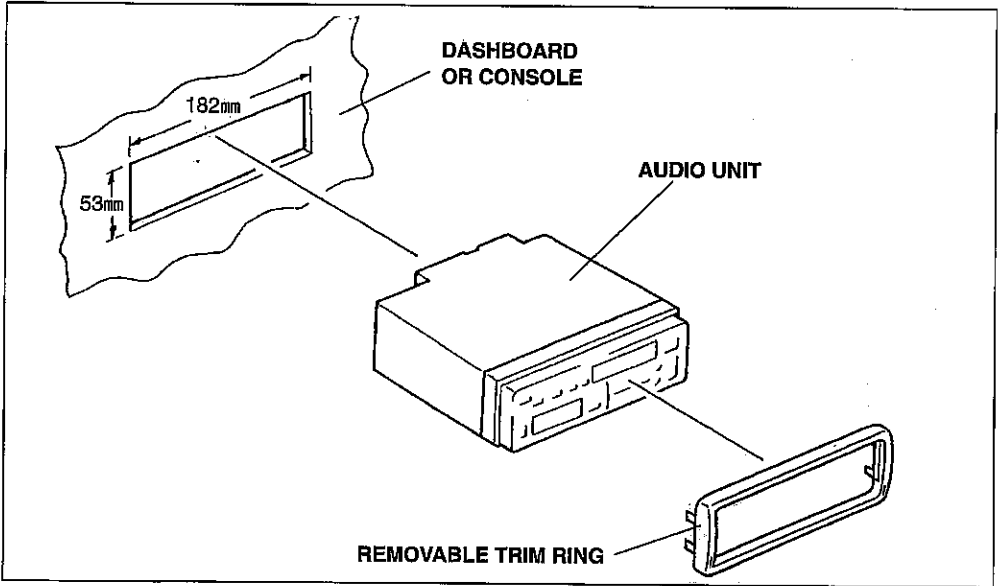


Unlock Levers
x 2

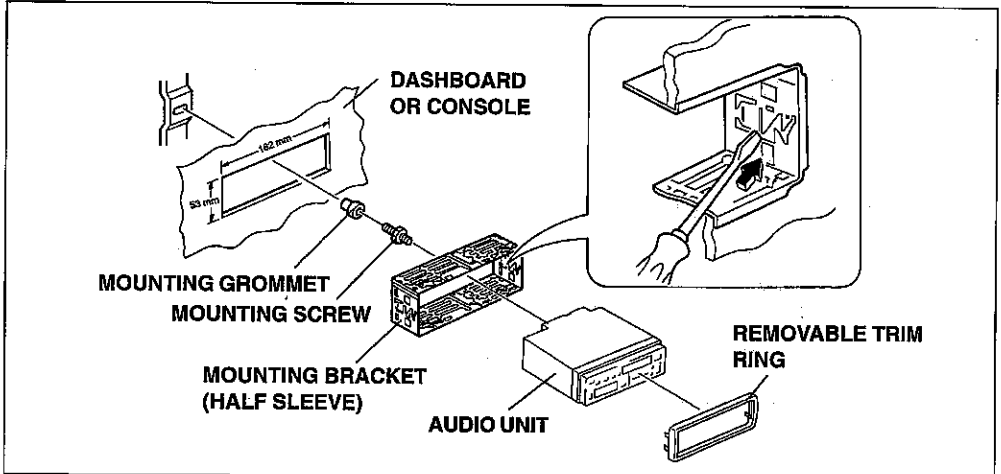
INSTALLATION

1. ISO MOUNTING WITH REMOVABLE TRIM RING

When mounting the unit into a DIN-standard cutout (182 × 53 mm) in the dashboard or console, attach the provided Removable Trim Ring to the unit. Install the Removable Trim Ring with the holes for the unlock levers in the lower part of the Ring.



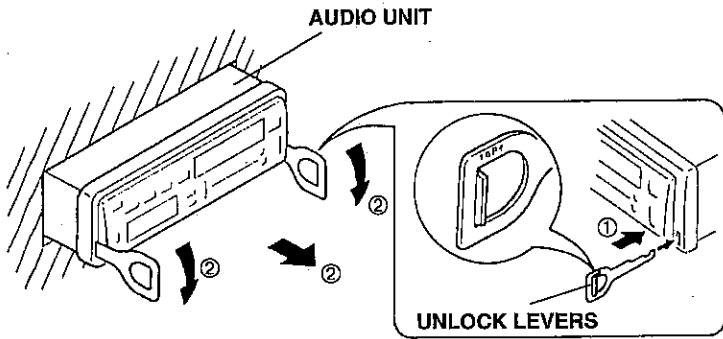
2. INSTALLATION PROCEDURES



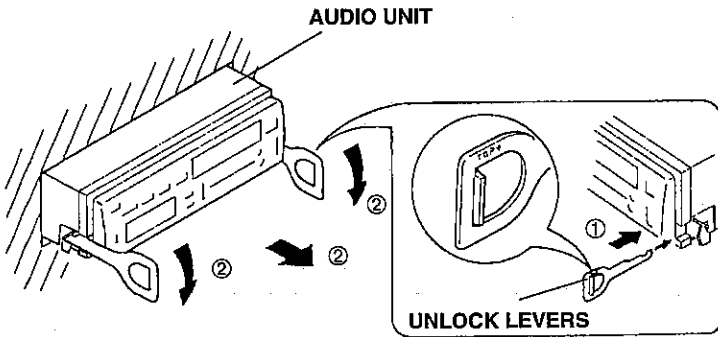
1. Insert the mounting bracket into the DIN-standard cutout (182 × 53 mm) in the dashboard or console.
2. Bend the mounting bracket stopper outward until the bracket fits snugly in the cutout.
3. Install the supplied mounting screw (M5) in the audio unit.
Cover the mounting screw with the supplied mounting grommet.
4. Push the unit into the mounting bracket until it locks in place.

UNIT REMOVAL

If the Removable Trim Ring is attached :



If the Removable Trim Ring is not used :



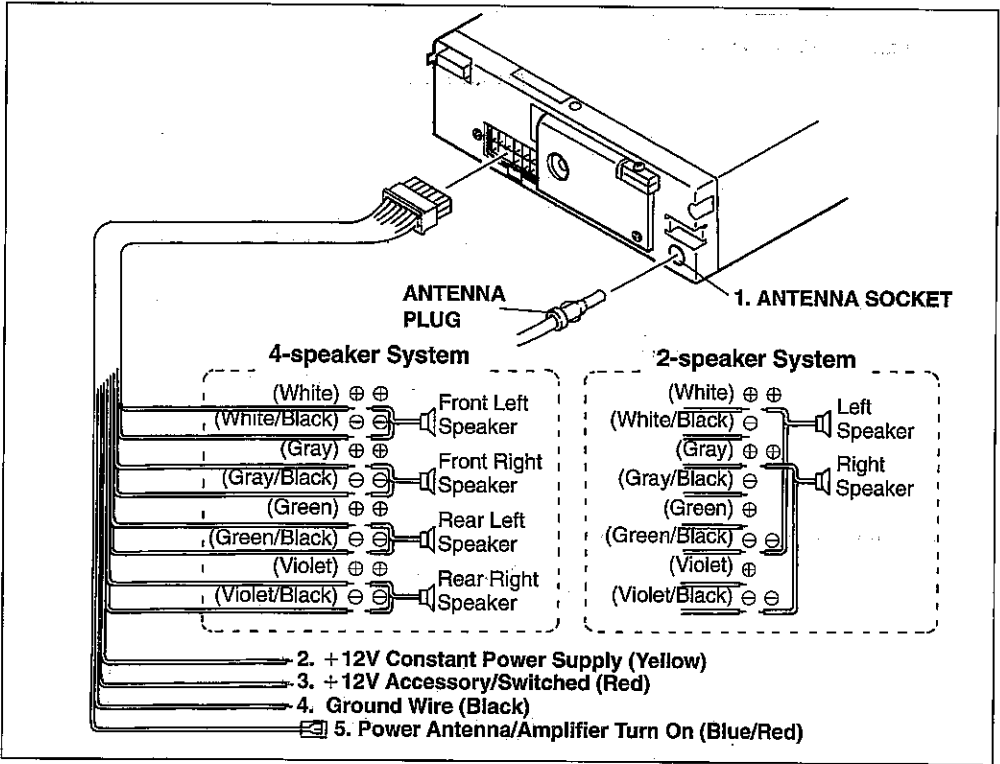
1. Insert the unlock levers into the slots on each side of the unit until they click into place.

Note

Take care not to insert the levers upside down.

2. While pressing the levers downward, pull the levers to remove the audio unit.

ELECTRICAL CONNECTIONS



Caution

- DO NOT connect any speaker wires to the metal body or chassis of the vehicle.
- DO NOT connect the speaker common (–) wires to each other.
- Connect each speaker wire directly to each speaker terminal.
- All speaker common (–) wires must remain floating.

1 Antenna socket

- Insert the plug from the antenna installed in your vehicle into this socket. (If your vehicle has a dual antenna system, a dual antenna to single antenna cable adaptor may be required.)

2 +12V Constant Power Supply (Yellow)

- Connect this wire to the +12V power terminal which receives power continuously.

3 +12V Accessory/Switched (Red)

- Connect this wire to the terminal which receives power while the ignition switch is ON or in the ACCESSORY position.
- If the ignition switch does not have an ACC position, connect this wire to a +12V power terminal which receives power continuously. (Same as item 2.)

4 Ground wire (Black)

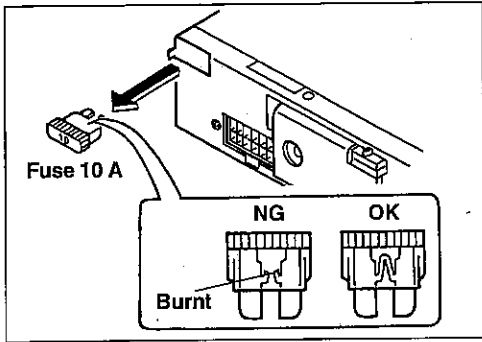
- Connect this wire to the vehicle chassis.

5 Power Antenna/Amplifier Turn On (Blue/Red)

- Connect this wire to the control terminal of a Power Antenna or an external amplifier.
- When not using a Power Antenna or an external amplifier, this wire is not connected.

Notes

- When using a two-speaker installation, the white/Black, Gray/Black, Green and Violet wires, which are used for a four-speaker installation, are not used. The ends of these wires must be covered with electrical tape to prevent them from shorting to the unit or the vehicle chassis.



- When using a two-speaker installation, set the FADER control to the center position.
- When fuse replacement is necessary remove the blown fuse by using pliers. Then install the new 10 amp. fuse.

SANYO Electric Co., Ltd.
Printed in Malaysia
1ED 6P10A09800
REV.0