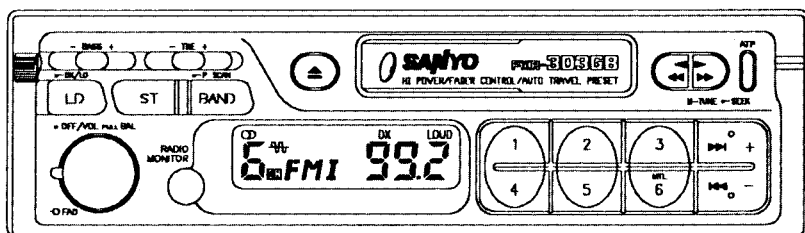




OPERATING INSTRUCTIONS

使用説明書

LIBRITO DE INSTRUCCIONES



Full Auto Reverse CarFidelity Receiver/ Cassette Player

English.....1~7
中國語.....8~14
Español.....15~21

FXR-303GB

Thank you for purchasing SANYO's FXR-303GB cassette car stereo player. For proper operation and performance, read this instruction manual carefully.

WARNING

1. This is designed to operate on 12 volts DC, **NEGATIVE** ground electrical systems only.
2. **When fuse replacement is necessary, use only a 6.3 amp fuse. Do not replace with a higher rated fuse. If the fuse blows often, carefully check all electrical connections for any short and have your car's voltage regulator checked too. Do not attempt to repair the unit by yourself; return the unit for servicing to your nearest SANYO car audio dealer.**
3. The high-polished playback head should not be touched by any metallic or magnetic tools.
4. If noise is a problem...
This unit incorporates a noise filter in the power circuit. However, with some vehicles, some clicking or other unwanted noise may still be present. In such a case, consult a SANYO car audio dealer or radio installer.
5. **Never play dirty or dusty tapes because it greatly degrades the sound and performance of your unit. Therefore always keep your tapes clean.**
6. **Do not use tapes with wrinkled or half-peeled labels to avoid possible system trouble.**

When inserting a cassette be sure that the tape is not unraveled from its spool. If a cassette is inserted in this condition the tape may wrap around the capstan and damage the tape and/or the mechanism. Use a pencil or a small rod as shown to keep tape tight in the cartridge.

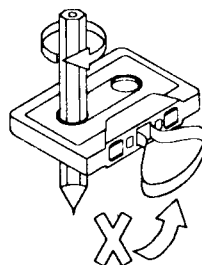


Fig.1

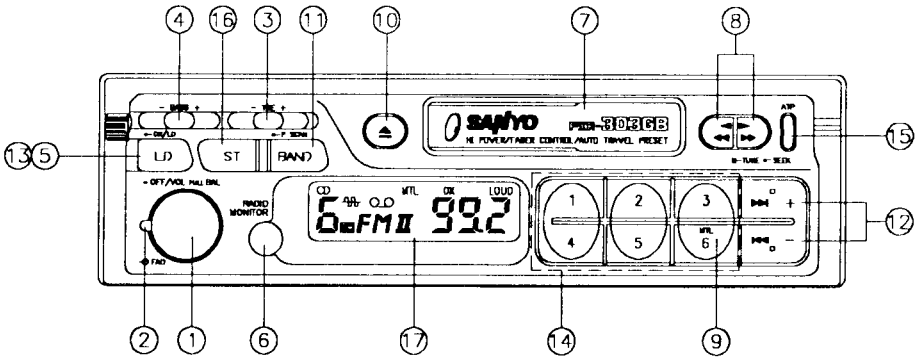


Fig. 2

OPERATION

- ① Power switch, Volume control and Balance control (OFF/VOL PULL BAL)
- ② Fader control knob (FAD)
- ③ Treble control knob (TRE)
- ④ Bass control knob (BASS)
- ⑤ Loudness button (LD)
- ⑥ Radio Monitor button (RADIO MONITOR)
- ⑦ Cassette tape slot door
- ⑧ Fast Forward, Fast Rewind button (◀▶, ▶▶), Reverse button (◀▶)
- ⑨ Metal Tape select button (MTL)
- ⑩ Eject button (▲)
- ⑪ Band button (BAND), Preset Scan button (P.SCAN)
- ⑫ Seek & Manual tuning button (▶▶+, ◀◀-)
- ⑬ Distant/Local button (DX/LO)
- ⑭ Preset button (1 • 2 • 3 • 4 • 5 • 6)
- ⑮ Auto-Travel Preset button (ATP)
- ⑯ Stereo/Mono button (ST)
- ⑰ Digital display

COMMON FUNCTION

- **Power switch, Volume and Balance control knob (OFF/VOL PULL BAL)... ①**
Turn the knob clockwise to switch ON and set to listening level. Balance of Right and Left channel level is controlled in pull position.
- **Fader control (FAD)... ②**
Turn clockwise to increase Rear volume, counter clockwise to increase Front volume.
- **Treble control (TRE)... ③**
By moving this knob to the right, the higher frequencies are emphasized.
- **Bass control (BASS)... ④**
By moving this knob to the right, the lower frequencies are emphasized.
- **Loudness button (LD)... ⑤**
By pressing the Loudness button the bass and treble range are emphasized at low listening level.
- **Radio Monitor (RADIO MONITOR)... ⑥**
During tape playback, press the Radio Monitor button if you want to pass instantly to radio mode.

CASSETTE TAPE PLAYBACK

- **Start playback**
Slot the cassette into cassette tape slot door ⑦ the tape playback starts.
- **Tape direction select (◀▶)... ⑧**
Pressing both buttons, tape transport is reversed and playback of other side continues. When the tape end is reached during playback, playback of the other side continues automatically.
- **Fast forward and rewind (◀◀, ▶▶)... ⑧**
By pressing the button (◀◀) or (▶▶). Tape play stops and skips forward or backward quickly. To stop the fast forward or rewind, press (▶▶) or (◀◀) button and unit will come back to playback mode. During FF or REW, the unit will automatically switch to the radio mode.
- **METAL Tape select button (MTL)... ⑨**
Push this button when CrO₂ or Metal Tape is used.
- **Stop playback (▲)... ⑩**
The cassette tape is ejected when the eject button is pressed and Radio reception will continue.

RADIO RECEPTION

- **Band button (BAND)...** ①
Each time the Band button is pressed the Radio frequency band will be switched in the following sequence.
→ FM1 → FM2 → AM → FM1....
- **Seek & Manual tuning button (▶▶+, ◀◀-)...** ⑫
Depressing shortly (▶▶+) or (◀◀-) button, the radio frequency on the digital display will count up or down.
While depressing (▶▶+) or (◀◀-) button half a second more, will start SKIP tuning towards higher or lower frequency. When you remove your finger from the button (▶▶+), (◀◀-). Automatic tuning starts automatically. The tuning process will be stopped when a strong signal is received.
- **Local/Distant Sensitivity (DX/LO)...** ⑬
Press (DX/LO) to switch on and hold it for more than 2 seconds in order to receive distant stations. The (DX) indicator is shown. To switch off, press (DX/LO) again in order to receive nearby local stations only. The (DX) indicator goes out.
- **Presetting Stations (1 • 2 • 3 • 4 • 5 • 6)...** ⑭
First, tune in to the desired station using the automatic tuning system (SEEK) or manually (MANUAL, ▶▶+ or ◀◀-). To memorize a program, press and hold down the desired preset button for at least two seconds until the program number in the display stops flashing.
In this way you can program 6 different stations or frequencies in the 2 FM band, as well as 6 AM stations.
Before recalling a preset station, select the correct band using the band select button (BAND). The band you have selected is indicated on the digital display.
- **Preset Scan (P.SCAN)...** ⑪
Press the Band button to select the desired band. Then press and hold in the Preset Scan (P.Scan) button until the channel number in the display flashes. The unit will automatically scan the preset stations on the band selected, stopping on each one for approximately 5 seconds. When a station that you wish to listen to is heard, press the Preset Scan (P.Scan) button again. Preset Scan will automatically stop and the unit will remain on the station.
- **Auto-Travel Preset button (ATP)...** ⑮
 - When the ATP button is pressed for 2 seconds or more, ATP is displayed and the radio automatically memorizes up to 6 stations beginning with the one with the strongest signal.
 - When the ATP button is pressed for less than 1.5 seconds, the first memorized station is recalled. To recall the stations one after another in the order they were memorized, repeatedly press this button quickly.

NOTE:

- *If the signal levels of the broadcasting stations are so weak that no stations can be ATP memorized, "000" is displayed and no sound reproduced.*

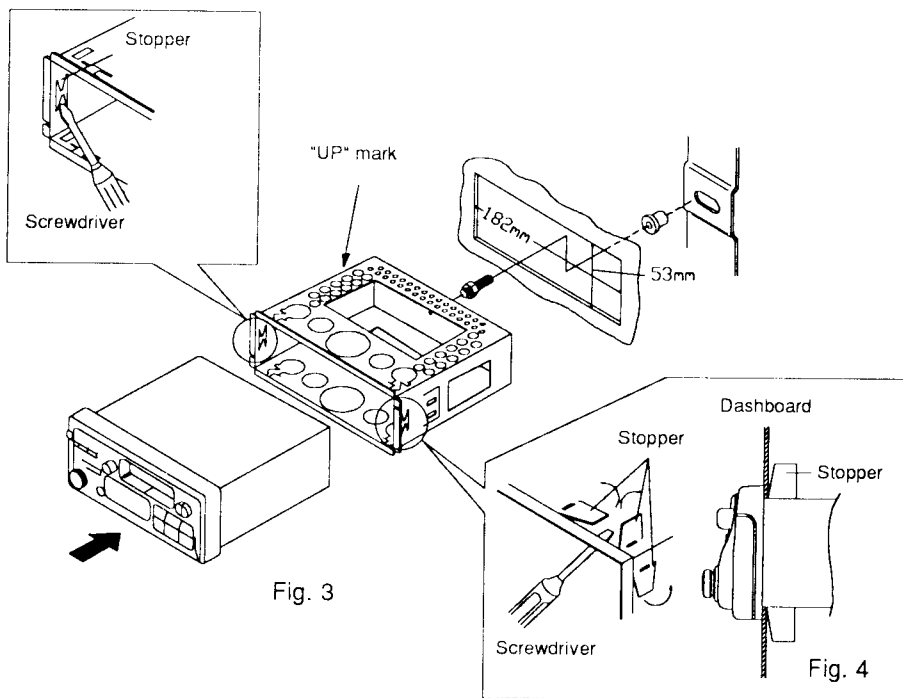
- **Stereo/Mono button (ST)...** ①⑥

If a station is noisy or weak when received in stereo, press this button. The stereo "Ⓞ" indicator will go out in the display and the station will be heard in monaural, but the noise level will be reduced.

MAINTENANCE

1. When the car stereo is not in use, remove the audio cassette from the tape player.
2. Cassette shells may warp, keep them out of direct sunlight. The shell should not be exposed to heat exceeding 55°C.
3. Never place an audio cassette tape in the vicinity of a strong magnetic field.
4. When replacing the fuse, make sure to use a new 6.3 ampere (maximum rating) fuse for main power.
If a fuse blows again, recheck wiring or have the unit bench tested at a service station.
5. Clean the tape head, pinch roller and capstan at least once a month using a quality audio head cleaning cassette.

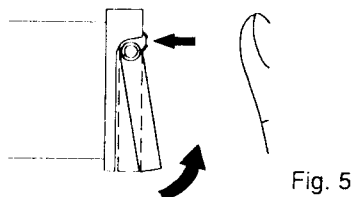
INSTALLATION



1. Insert mounting bracket into DIN-standard cutout 182 x 53mm in the dashboard or a console.
The side marked "UP" should be up.
2. Bend the stoppers of the mounting bracket with a screwdriver, and secure the bracket firmly to the dashboard. (Fig. 4)
3. Fix the mounting bracket by using the mounting hardware supplied.
4. Insert the set into the mounting bracket until it locks.

SET REMOVAL

1. Push on the left sides of the handle to raise. (Fig.5)
2. Pull the handle to remove the set.



NOTE:

— When the set is installed again, return the handle to the original position.

ELECTRICAL CONNECTIONS

1. WIRING - 2 OR 4 SPEAKER INSTALLATION

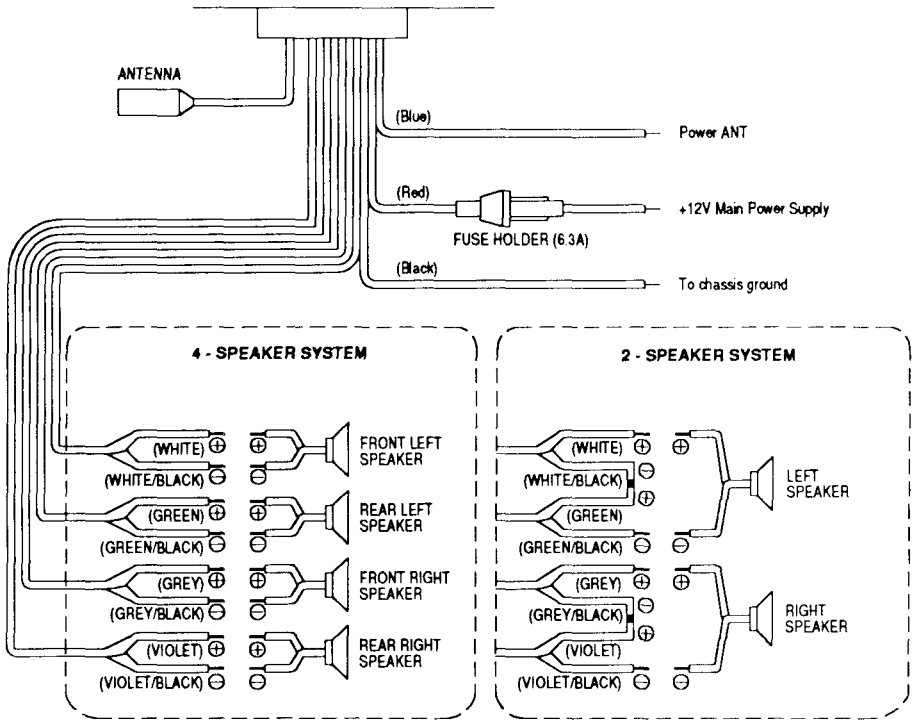


Fig. 6

NOTE:

- The FADER control has no effect on the output when using a two speaker installation. Under this condition, set the FADER control to the front position.
- When not using an automatic antenna, cover the ends of Blue wire with electrical tape, to prevent it from shorting to the unit or the vehicle chassis.