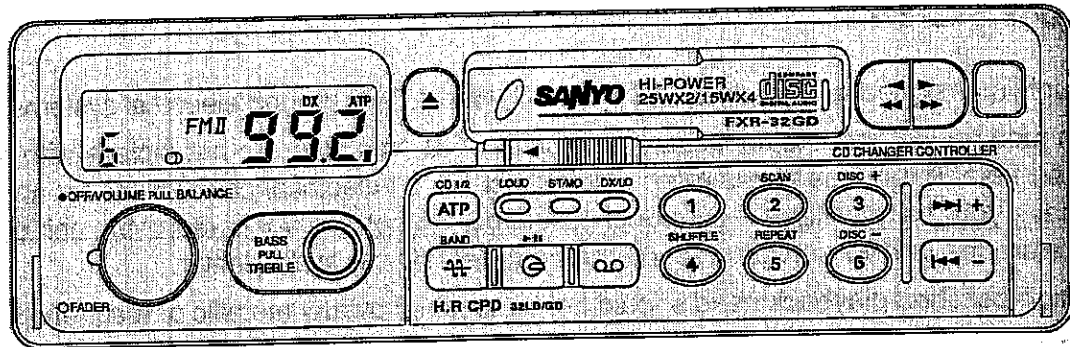


## FXR-32GD



### FM/AM Autoreverse Car Stereo with CD Changer Control

(English)	OPERATING INSTRUCTIONS.....	1 ~ 14
(Español)	LIBRITO DE INSTRUCCIONES.....	15 ~ 28
(中國語)	使用說明書 .....	29 ~ 42

# CONTENTS

DETACHABLE FRONT PANEL .....	2
GENERAL OPERATION .....	3
TAPE OPERATION .....	5
RADIO OPERATION .....	6
CD CHANGER OPERATION .....	8
ERROR SIGNS (Using CD Changer) .....	10
INSTALLATION, SET REMOVAL .....	11
ELECTRICAL CONNECTIONS .....	12

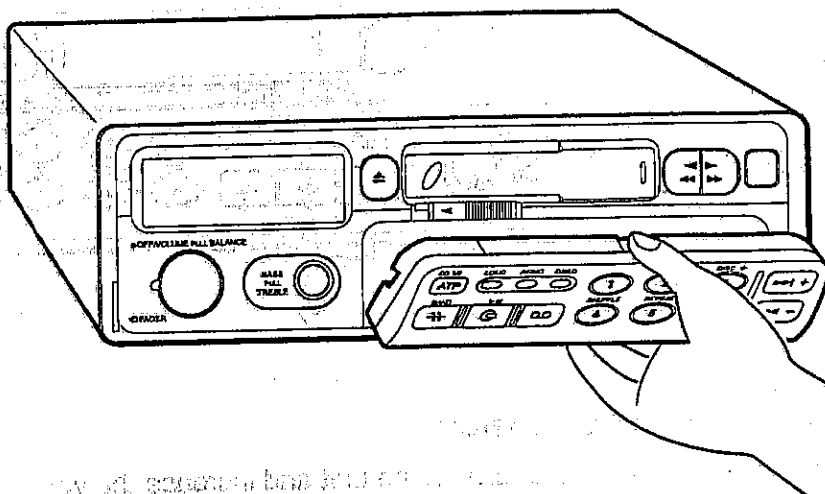
## CAUTION

1. This unit is designed to operate on 12 volts DC, NEGATIVE ground electrical systems only.
2. When fuse replacement is necessary, use only a 7.5 amp fuse. Do not replace with a higher rated fuse. If the fuse blows often, carefully check all electrical connections for any short and have your car's voltage regulator checked too. Do not attempt to repair the unit by yourself; return the unit for servicing to your nearest SANYO car audio dealer.
3. The high-polished playback head should not be touched by any metallic or magnetic tools.
4. Clean the tape head, pinch roller and capstans at least once a month using a quality audio head cleaning cassette.
5. Do not use tapes with wrinkled or half-peeled labels to avoid possible system trouble.



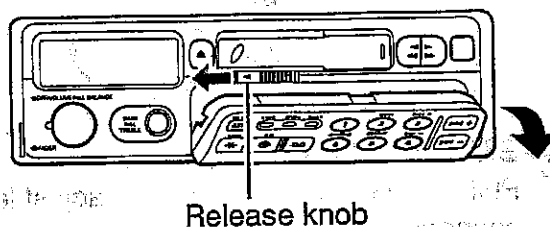
# DETACHABLE FRONT PANEL

Part of the front panel can be removed to prevent theft. When leaving the vehicle, we recommend you to remove the part and take it with you.



## HOW TO DETACH

- ① Slide the release knob to the left to release the top of the part.
- ② Pull the part out of the body as shown in the figure.

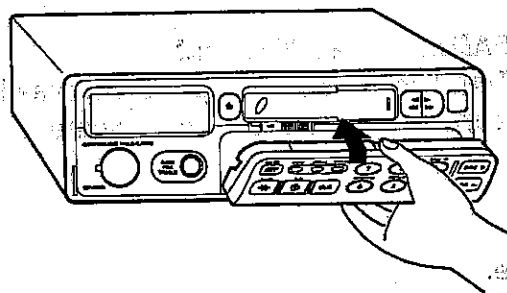


## HOW TO REPLACE

Fitting the lower side of the part in the stoppers, press it into the body until it clicks.

*Note:*

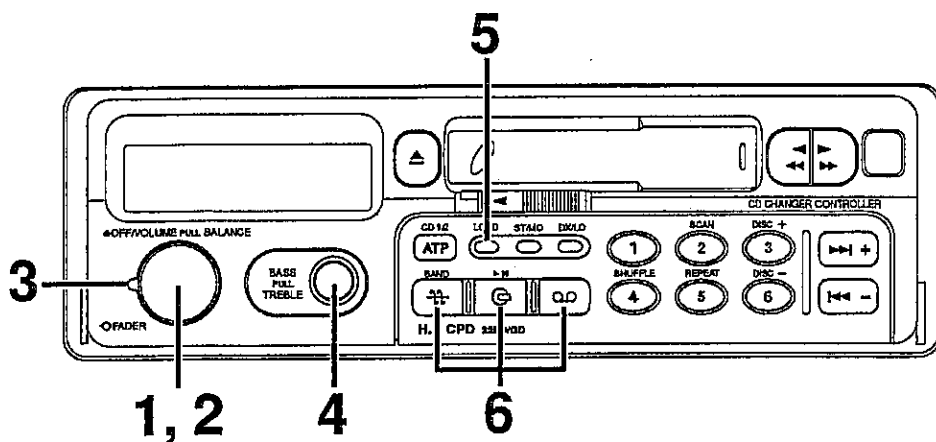
*If the part is not installed correctly, the unit is not supplied with power.*



## CAUTION

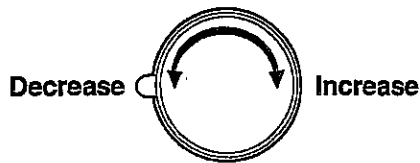
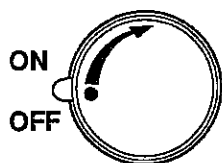
- Do not remove the part by force.
- When replacing, do not press the part hard against the body.
- Do not touch the connector terminals on the part or on the body. It may cause poor electric contact.
- To wipe dirt of the connector terminals, use a clean and dry cloth.
- Do not expose the part to direct sunlight or high temperature.
- Keep the part out of such chemicals as benzene, thinner or insecticides.
- Do not drop the part.

# GENERAL OPERATION



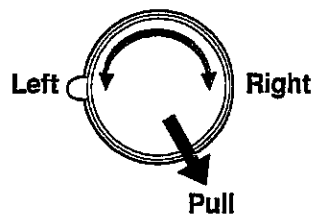
## 1 POWER SWITCH, VOLUME KNOB

- Turn this knob to the right to turn on the unit and increase the volume level.
- Turn this knob to the left to decrease the volume level and turn off the unit.



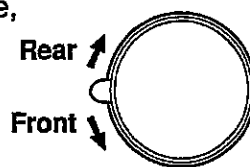
## 2 BALANCE CONTROL KNOB

Pull out and rotate this knob to adjust left/right channel balance.



## 3 FADER CONTROL KNOB

Turn this knob to the right to increase Rear volume, to the left to increase Front volume.

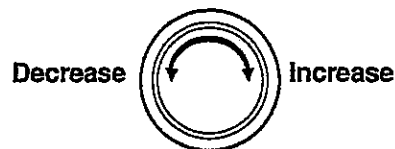


### Note:

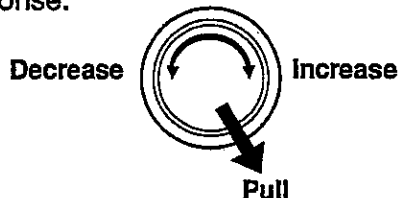
The FADER control has no effect on the output when using a two speaker installation. Under this condition, set the FADER control to the front position.

## 4 BASS and TREBLE CONTROL KNOB

- Rotate this knob to adjust the Bass response.



- Pull out and rotate this knob to adjust the Treble response.



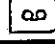


## 5 LOUDNESS BUTTON ( )

Press this button to emphasize the bass and treble range at low listening level. The "LOUD" indicator will appear on the display. To cancel the mode, press it again.

## 6 MODE SELECT BUTTONS ( | | )

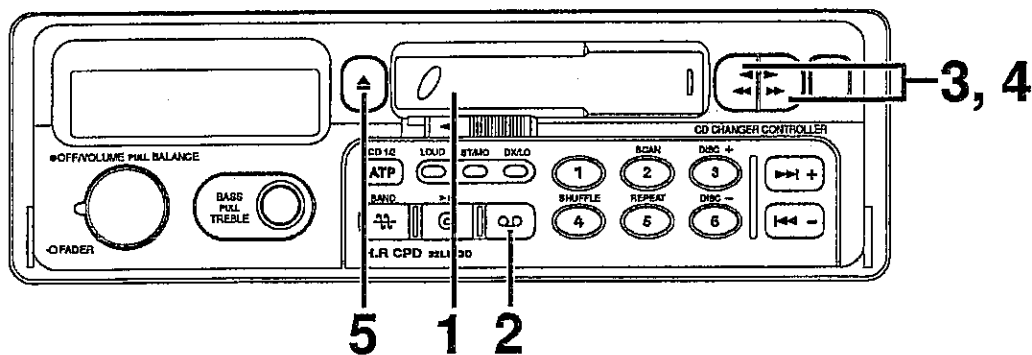
It is possible to switch immediately to your desired mode.

Desired mode	Pressing Button
Radio	
CD *	
Tape **	

\* The separately available SANYO CD changer, FXD-C200 (10-disc) or FXD-C100 (6-disc), must have been connected.

\*\* A cassette tape must have been set.

# TAPE OPERATION



## 1 CASSETTE TAPE SLOT DOOR



Insert a cassette into this slot door with the exposed tape facing to the right. Then tape play will begin.

## 2 TAPE MODE SELECT BUTTON ( )

If a cassette is already inserted, press this button to play the tape.

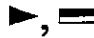





## 3 REVERSE BUTTONS ( )

Press both fast wind buttons simultaneously.

- Indicator "▶,  " ... The side facing up is being played.
- Indicator "◀,  " ... The side facing down is being played.

When the end of one side of the tape is reached, the direction will automatically reverse and the opposite side will play.

## 4 FAST FORWARD AND REWIND BUTTONS ( , )

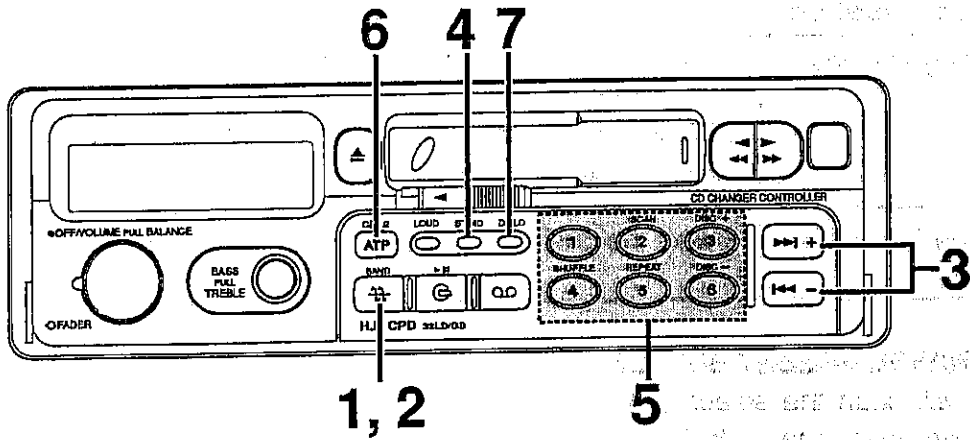
	Fast forward	Fast rewind
	Press  .	Press  .
	Press  .	Press  .

To resume play, lightly press the opposite fast wind button.

## 5 EJECT BUTTON ( )

Press this button to eject the cassette. Then the mode changes to the preceding one.



# RADIO OPERATION


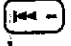

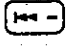


**1 RADIO MODE SELECT BUTTON** (  )  
Press this button to turn on the radio.

**2 BAND SELECT BUTTON** (  )  
Pressing this button, select the desired band.

Band shift	Pressing time
FM1 ↔ FM2	Less than 1.5 seconds
AM → FM1, 2	Less than 1.5 seconds
FM1, 2 → AM	1.5 seconds or more


**3 SEEK AND MANUAL TUNING BUTTONS** ( ,  )  
Pressing one of the buttons, tune in a frequency.

	To tune up	To tune down
Manual tuning	Press  for less than 0.7 seconds.	Press  for less than 0.7 seconds.
Auto (Seek) tuning	Press  for 0.7 seconds or more.	Press  for 0.7 seconds or more.

\* Auto (Seek) tuning ..... The unit will seek in the direction of the button pressed, and stop on the first strong station.

**4 STEREO/MONO BUTTON** (  )

If FM stereo broadcasting is too noisy, press this button to get the indicator "MO".

To return to stereo mode, press it again. The indicator "MO" will disappear. When the indicator "MO" is not displayed, if FM stereo broadcast is received, the indicator "  " will appear on the display.


## 5 PRESET BUTTONS ( , , , , , )

6 stations can be preset on each band (FM1, FM2, AM).

Desired operation	Procedure
Presetting stations	<ol style="list-style-type: none"> <li>① Select the desired band and tune to the station which has to be memorized.</li> <li>② Press the desired preset button for 1.5 seconds or more.</li> </ol> To preset additional stations, repeat the same procedure.
Recalling the preset stations	Select the desired band and press the desired preset button.

## 6 AUTO TRAVEL PRESET BUTTON ( )

The unit will scan the selected band and memorize the strongest 6 stations in sequence from the strongest one. (6 FM, 6 AM)

Desired operation	Procedure
Presetting stations	<ol style="list-style-type: none"> <li>① Select the desired band.</li> <li>② Press this button for 1.5 seconds or more.</li> </ol> Then the indicator "ATP" and "—" appears on the display. Scanning will stop automatically and the first memorized station will be heard.
Recalling the ATP preset stations	Press this button for less than 1.5 seconds. Each time the button is pressed, the station will shift one after another in the order they were memorized.
Scanning the ATP preset stations	<ol style="list-style-type: none"> <li>① Press this button for less than 1.5 seconds to select ATP mode.</li> <li>② Press  for 1.5 seconds or more to receive, in sequence, all the stations stored in the memory for 5 seconds each.</li> </ol> To stop scanning and listen to the current receiving station, press it again.

### Notes:

- If all stations are weak, none may be memorized. If this should occur, "000" will appear on the display and the warning tone will be heard. Then the unit will receive the last station which was received before.
- If there are fewer than 6 receivable stations, the unit will memorize all the receivable stations. And the first memorized station will be heard.

## 7 LOCAL/DX BUTTON ( )

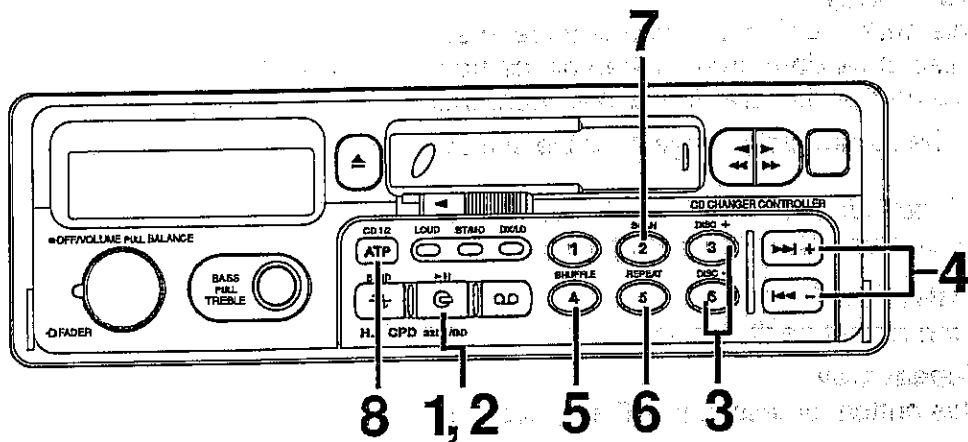
Press this button to select the desired seek sensitivity.

Desired station	Procedure
Local stations with strong signals	Press this button to make the indicator "DX" disappear.
Distant stations with weaker signals	Press this button to get the indicator "DX".



# CD CHANGER OPERATION

The optional SANYO CD Changer has to be connected.



**1 CD MODE SELECT BUTTON** ( )  
Press this button to play CD.

**2 PLAY/PAUSE BUTTON** ( )  
Press this button to temporarily stop CD play.  
To resume play from the point at which play was stopped, press it again.

*Note:*

*If the unit is left in the pause mode for more than 5 minutes, it changes to the stop status automatically.*

**3 DISC SELECT BUTTONS** ( , )  
Press one of the buttons to select a disc.

Desired Disc	Pressing Button
Next disc	
Preceding disc	

**4 TRACK/SKIP BUTTONS** ( , )  
This unit can select a track, and skip tone.

- Press one of the buttons to select a track.

Desired track	Pressing Button
Next track	
Current track (from the beginning)	
Preceding track	(twice quickly)

- Press and hold one of the buttons for 1.5 seconds or more to advance quickly in the forward or the backward direction. When the button is released, this function stops.

Direction	Pressing Button
Forward (Cue)	
Backward (Review)	

*Note:*

*When it reaches to the end or the beginning of the disc, the unit enters Pause mode.*

## 5 SHUFFLE PLAY BUTTON ( )

This unit can play tracks or discs in random order.

### • Track shuffle play

Press this button for less than 1.5 seconds to play the disc currently playing in random order.

### • Disc shuffle play

Press this button for 1.5 seconds or more to select a disc at random and play all the tracks on the disc in random order. When all the tracks are played, next disc is selected and all the tracks on the disc are played in random order. This continues endlessly.

To cancel the mode, press it again, or the unit continues Shuffle play endlessly.

*Note:*

*During Track shuffle play, intending to cancel the mode, if the button is pressed for 1.5 seconds or more, Disc shuffle will begin.*

## 6 REPEAT BUTTON ( )

This unit can repeat track or disc.

### • Track repeat play

Press this button for less than 1.5 seconds to repeat the track currently playing.

### • Disc repeat play

Press this button for 1.5 seconds or more to repeat the disc currently playing.

To cancel the mode, press it again, or the unit continues Repeat play endlessly.

*Note:*

*During Track repeat, intending to cancel the mode, if the button is pressed for 1.5 seconds or more, Disc repeat will begin.*

## 7 SCAN BUTTON ( )

This unit can play the first 10 seconds of tracks or discs.

### • Track scan play

Press this button for less than 1.5 seconds to play, in order, the first 10 seconds of each track on the currently selected disc.

### • Disc scan play

Press this button for 1.5 seconds or more to play the first 10 seconds of the first track on each disc in the magazine.

To cancel the mode, press it again, or the unit continues the Scan play endlessly.

*Note:*

*During Track scan, intending to cancel the mode, if the button is pressed for 1.5 seconds or more, Disc scan will begin.*

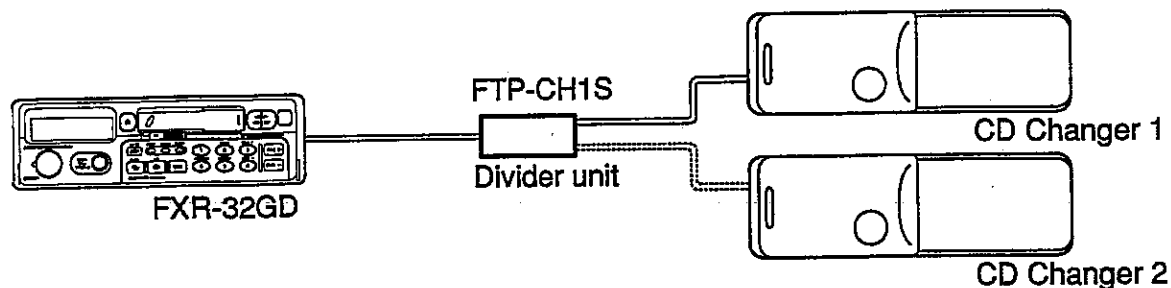
## 8 CHANGER SELECT BUTTON ( )

Using a Divider unit (FTP-CH1S), one more CD Changer, FXD-C200 (10-disc) or FXD-C100 (6-disc), can be connected.

Press this button to select the desired changer unit (CD 1 or CD 2).

*Note:*

*This button is not effective when only one CD Changer is connected.*



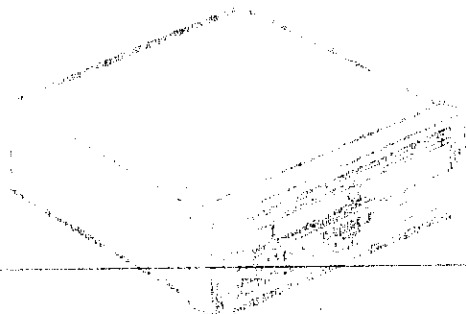
# ERROR SIGNS

If a problem should develop while operating the CD changer, the following error signs may be displayed. Refer to the chart below.

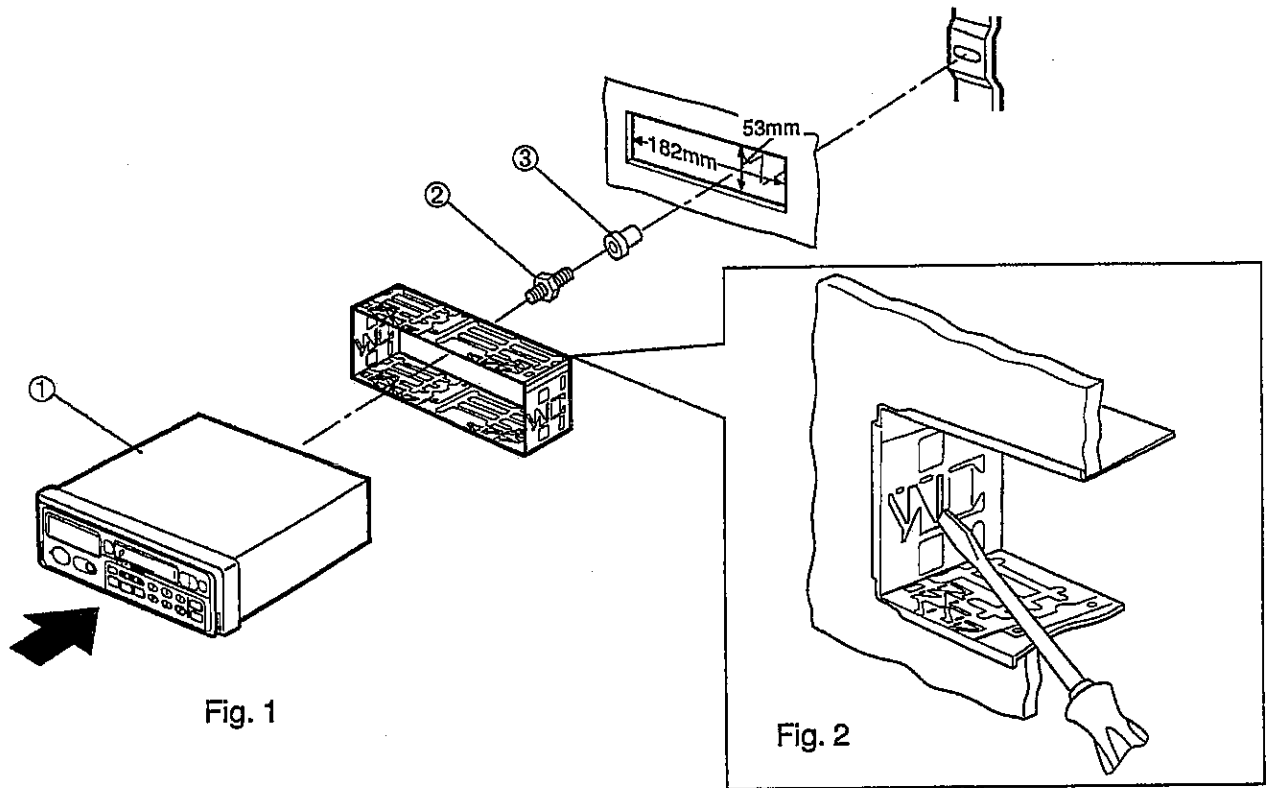
Error sign	Cause	Remedy
E 01	Abnormal disc change function.	Contact the place of purchase.
E 07	The disc is inserted upside down.	Insert the disc with play side facing up.
E 30	Excessive temperature in the car is detected.	Allow the car to cool. Then press the PLAY/PAUSE BUTTON.
- - -	The magazine is not fully inserted into the changer.	Completely insert the magazine into the changer, until it clicks in place.
0 00	There are no discs in the magazine.	Insert disc into the magazine.
2 - -	There is no disc in slot number 2.	Insert a disc into slot number 2.

**Note:**

When using FXD-C200, "E 07" is not displayed.

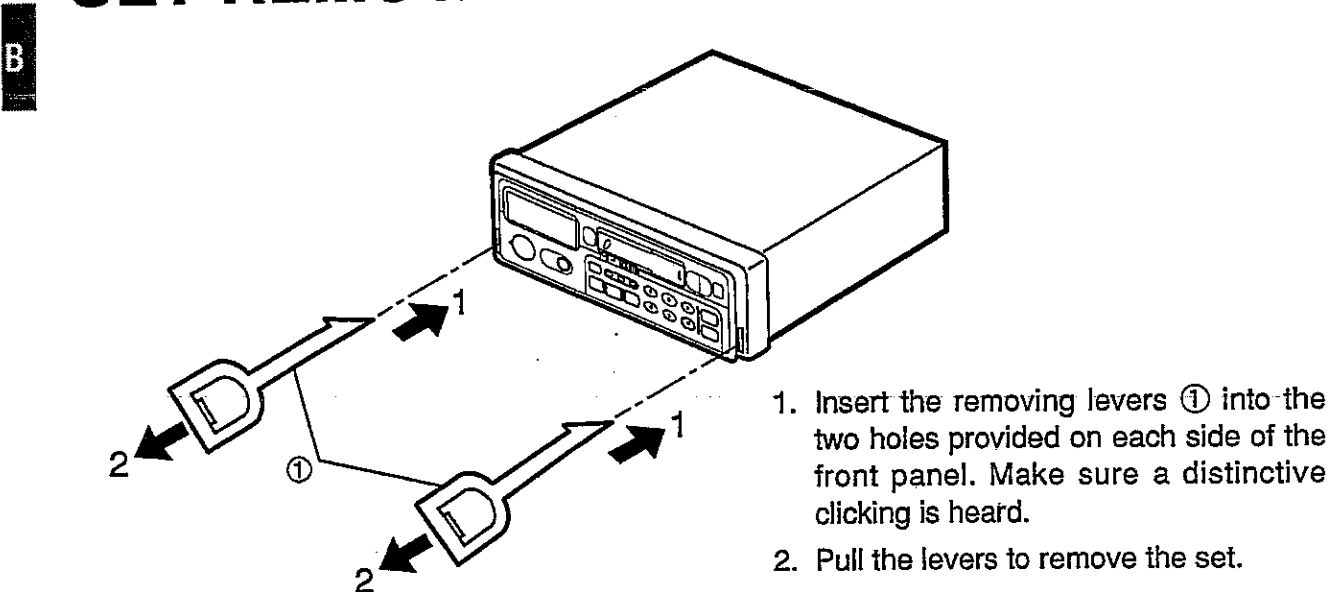


# INSTALLATION



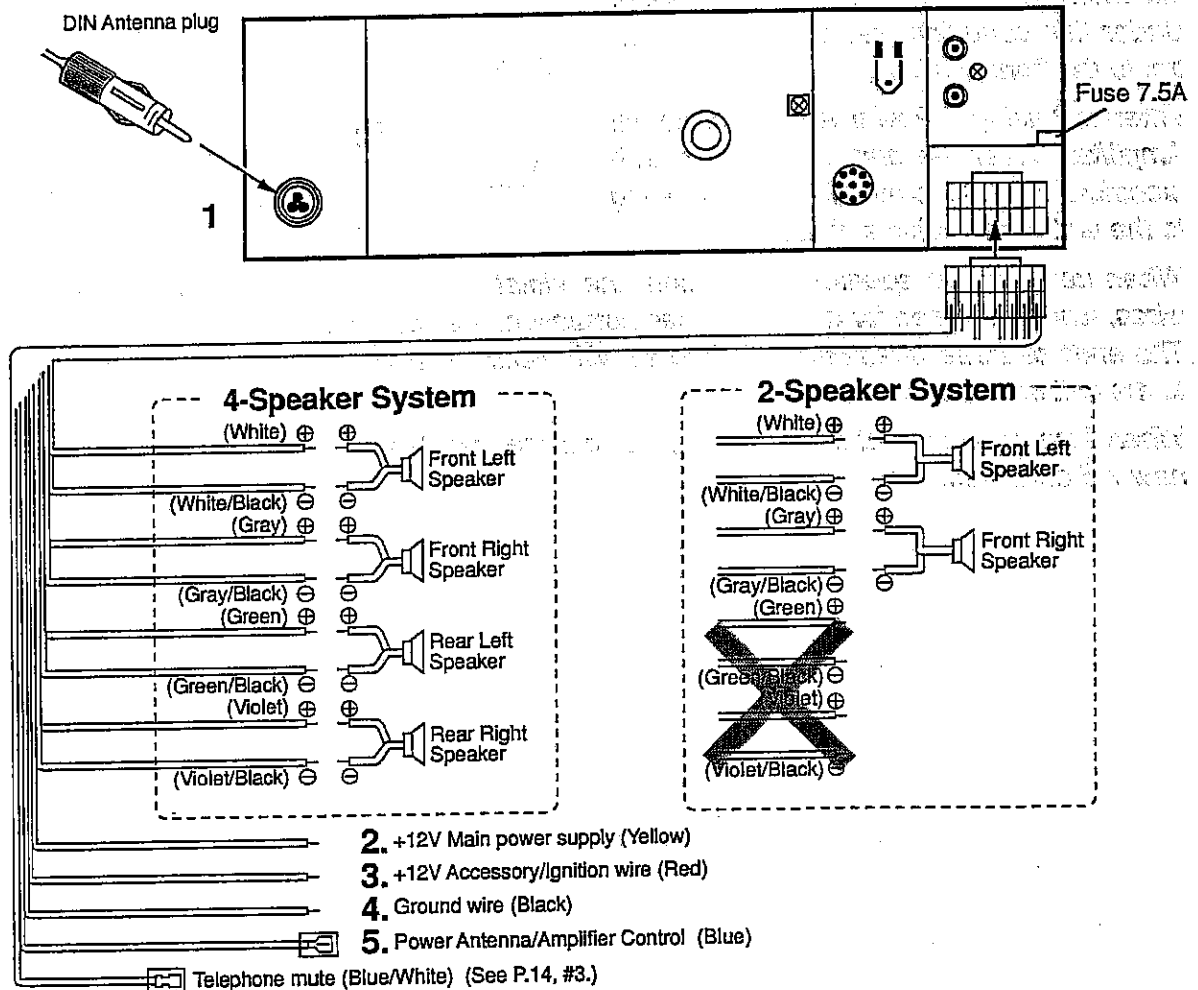
1. Install the supplied mounting screw (Fig. 1-②) to the unit (Fig. 1-①).  
Cover the mounting screw with the supplied rubber cap. (Fig. 1-③).
2. Insert mounting bracket into DIN-standard Cutout 182 x 53 mm in the dashboard or a console.
3. Bend the stoppers of the mounting bracket to the outside until the bracket is tightened in the cutout. (Fig. 2)
4. Insert the unit into the mounting bracket until it locks in place.

# SET REMOVAL



# ELECTRICAL CONNECTIONS

## WIRING



### 1 DIN Antenna socket

Insert the antenna plug installed in your vehicle to this socket.

### 2 +12V Main power supply (Yellow)

Connect this wire to +12V power terminal that receives power continuously.

### 3 +12V Accessory/Ignition wire (Red)

Connect this wire to a terminal that receives power while the ignition switch is ON or in the ACCESSORY position.

When the vehicle without ACC, connect this wire to +12V power terminal that receives power continuously. (Same terminal as 2.)

### 4 Ground wire (Black)

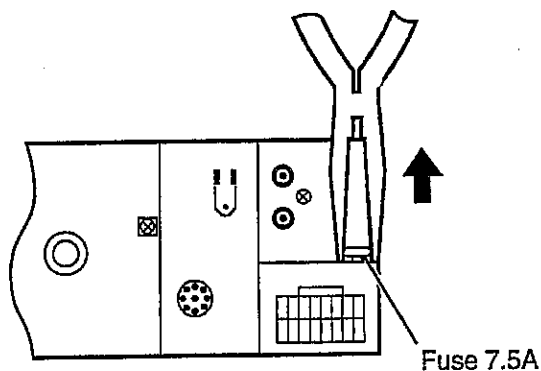
Connect this wire to the vehicle chassis.

### 5 Power Antenna/Amplifier Control (Blue)

- Connect this wire to the control terminal of Power Antenna or external amplifier.
- When not using a Power Antenna or an external amplifier, this wire is not used.

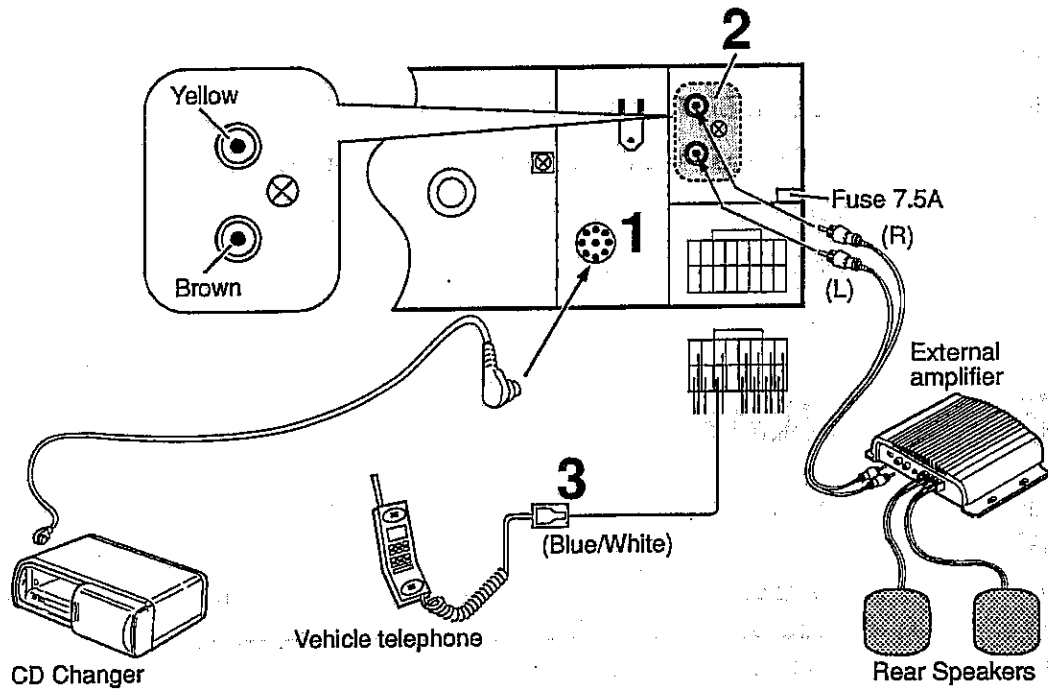
**Notes:**

- The FADER control will no effect the output when using a two speaker installation. Under this condition, set the FADER control to the front position.
- When not using a Power Antenna/External Amplifier, cover the end of Blue wire with electrical tape, to prevent it from shorting to the unit or the vehicle chassis.
- When using a two speaker installation, the Violet, Violet/Black, Green and Green/Black wires, which are used for a four speaker installation, are not used. The ends of these wires must be covered with electrical tape, to prevent them from shorting to the unit or vehicle chassis.
- When fuse replacement is necessary, pull out the installed fuse by pliers. Then install the new 7.5 amp fuse.



# LINE TERMINAL CONNECTIONS

Since this unit has CD Changer Controller and Output terminals, a CD Changer and an amplifier can be used to upgrade your vehicle stereo system. Also this unit has a Telephone Mute terminal.



## 1 CD Changer DIN Socket

Connect the DIN socket to the CD Changer, using DIN cable (8 pin), which is supplied with the "FXD-C200 (10-disc)", or the "FXD-C100 (6-disc)" CD Changer.

## 2 RCA Line-out Jacks

For Rear

Connect Yellow (Rear right channel) and Brown (Rear left channel) RCA Line-out jacks to each input terminals for the external amplifier for rear speakers.

## 3 Telephone Mute (Blue/White)

Connect this wire to the vehicle telephone mute line which is connected to chassis when the vehicle telephone is operated.

Then the sound from the speakers cannot be heard during the telephone conversation.

**Note: The voltage at this terminal is 12V (IN "OPEN" status).**

**SANYO Electric Co., Ltd.**

Printed in Japan

1RA6P10A51600