

## PARTS LIST

Thermoelectric  
Cooler & Warmer

**RV CH9** (GENERAL)

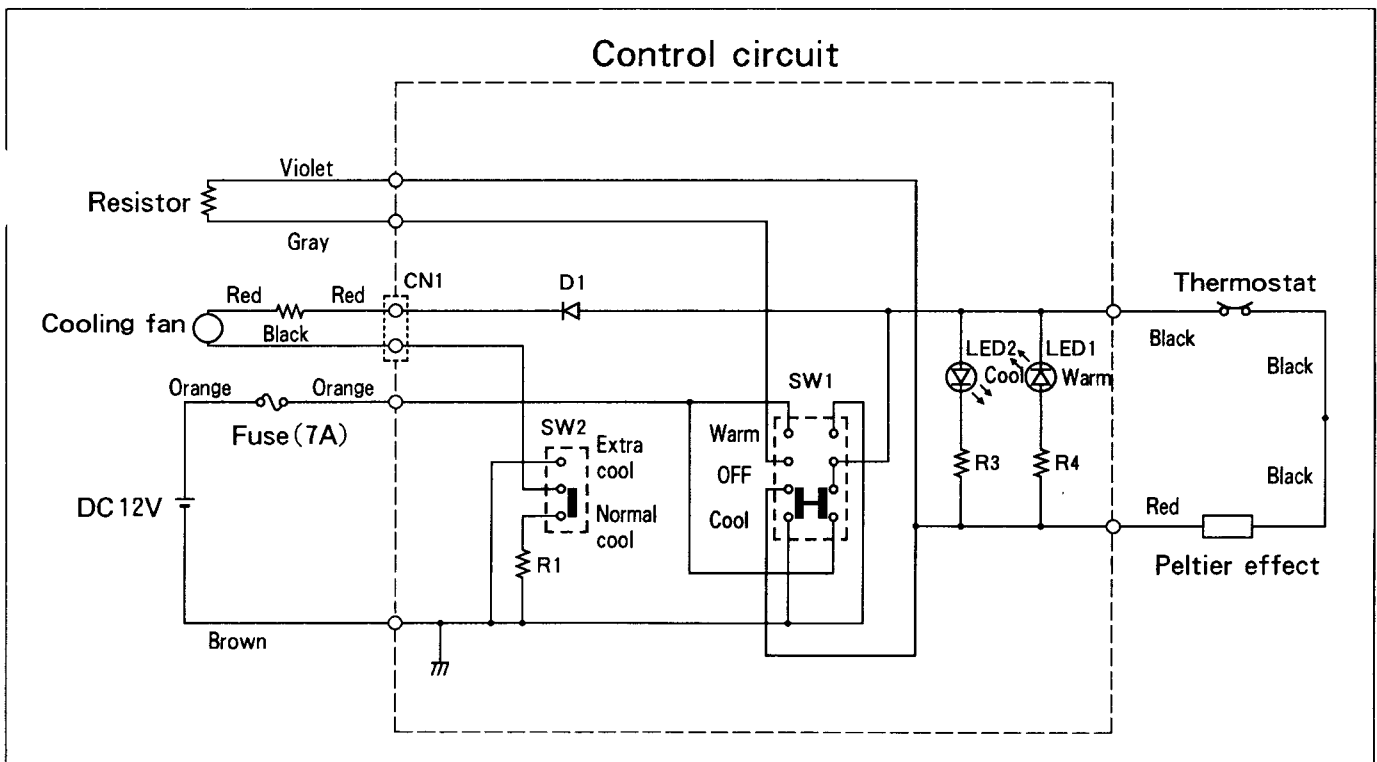
### Specifications

|                             |   |
|-----------------------------|---|
| Power source                | : DC 12 V   |
| Power consumption           | : 45 W  |
| Capacity                    | : 9 ℓ   |
| Minimum cooling temperature | : about 7 °C (at room Temp. of 30 °C)                     |
| Maximum cooling temperature | : about 55 °C (at room Temp. of 10 °C)                    |
| Dimensions<br>W×D×H         | : 450 × 250 × 255 mm<br>(17-23/32" × 9-27/32" × 10-1/32") |
| Net weight                  | : 4.0 Kg (8 lbs. 13 ozs.)                                 |
| Accessories                 | : DC power cord, Separator shelf, Belt                    |

PRODUCT CODE NO.

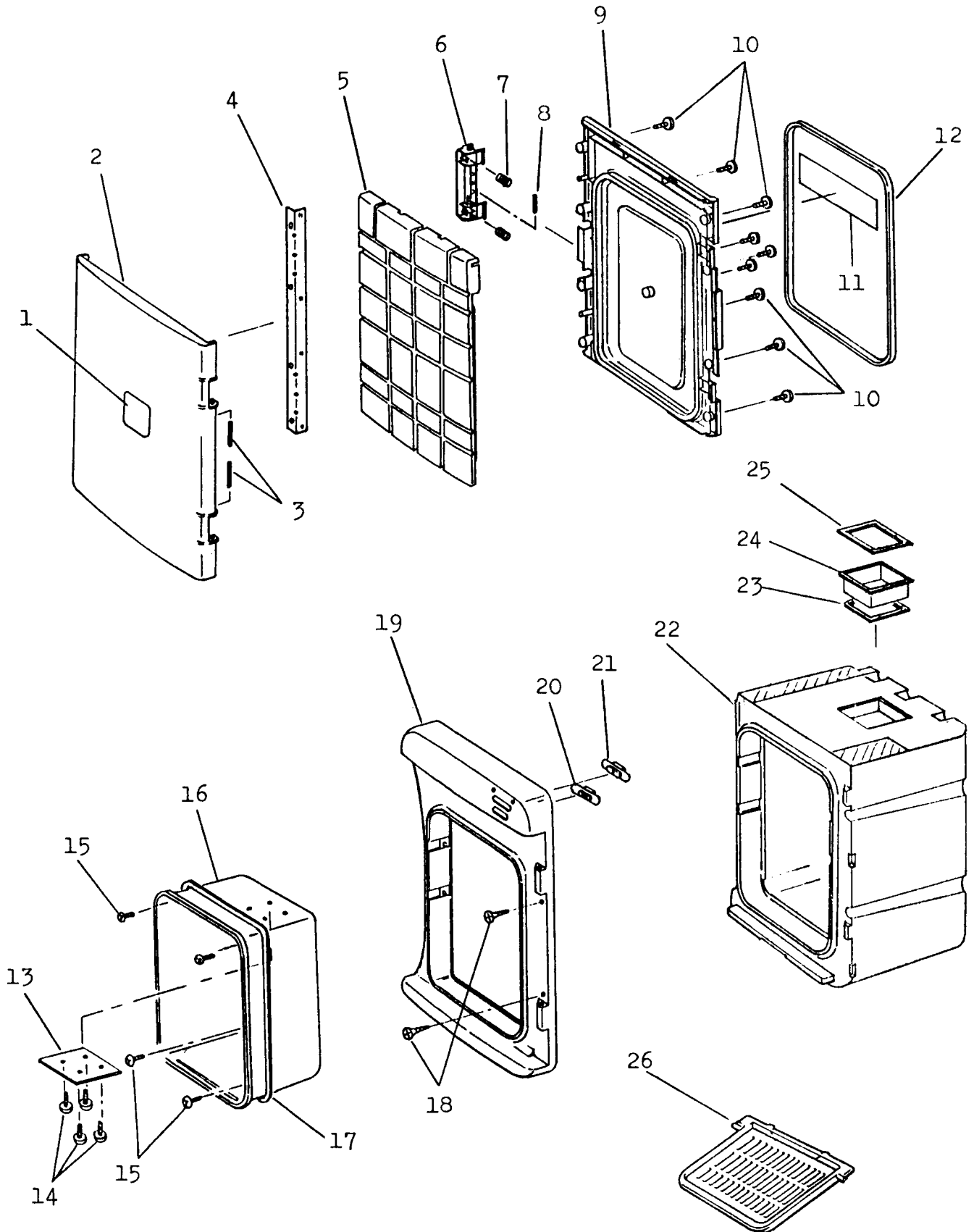
1 · 371 503 01

### Wiring Diagram



Exploded View

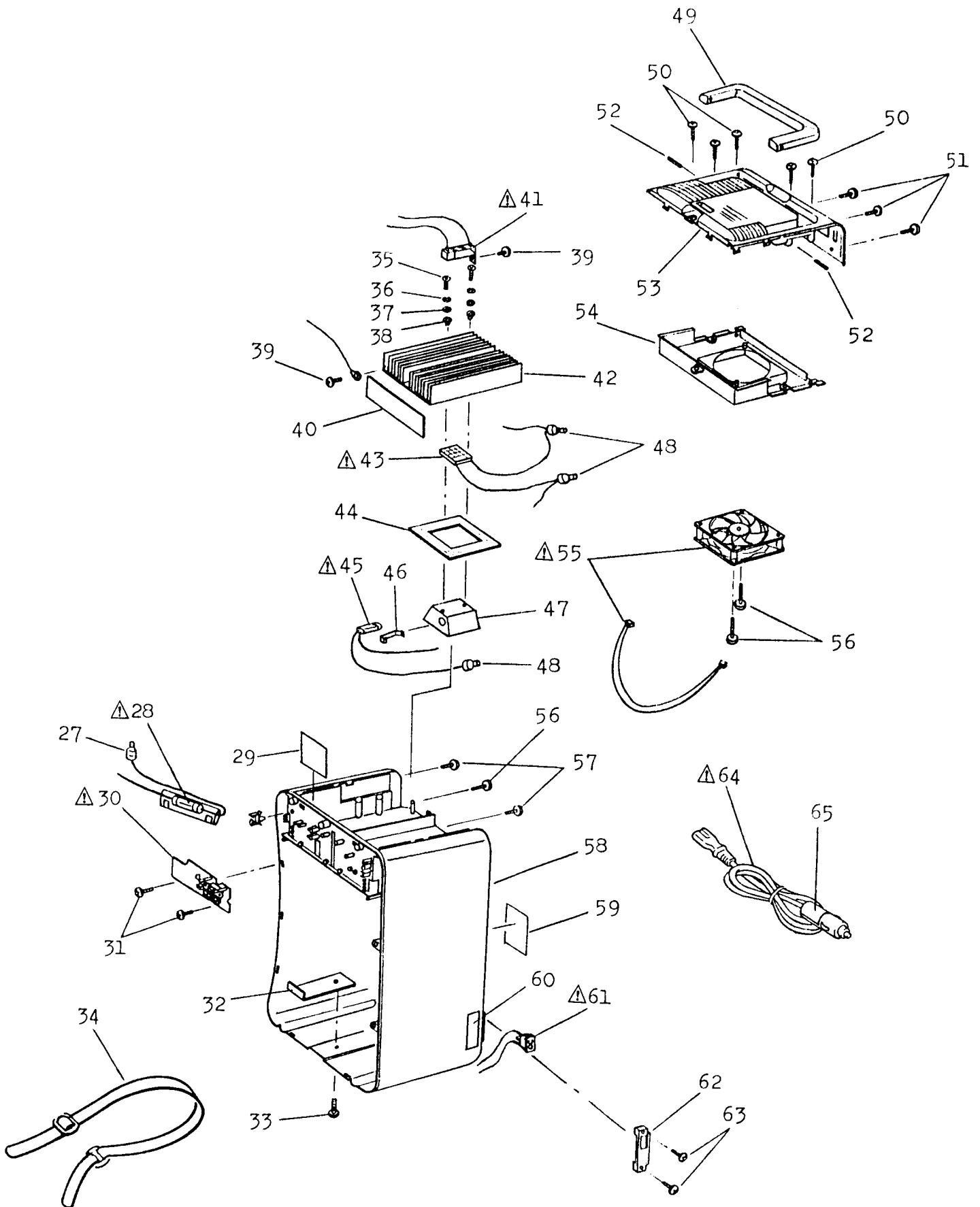
RV CH9 (GENERAL)



# Exploded View

NOTE: The parts marked with  have special characteristics of safety, if replace the  mark parts, use only SANYO specified parts.

# RV CH9 (GENERAL)



Parts List

NOTE: The parts marked with  $\Delta$  have special characteristics of safety,  
if replace the  $\Delta$  mark parts, use only SANYO specified parts.

RV CH9 (GENERAL)

| Key No.     | Parts No.    | Description                 | Q'ty |
|-------------|--------------|-----------------------------|------|
| 1           | 616 120 4776 | CASE ORNAMENT PANEL         | 1    |
| 2           | 616 120 4783 | LID UPPER (N1-186)          | 1    |
| 3           | 411 159 2409 | PIN SPRING 4X40             | 2    |
| 4           | 616 120 4790 | FRAME                       | 1    |
| 5           | 616 120 4806 | HEAT INSULATOR              | 1    |
| 6           | 616 120 4813 | CLAMP HOOK (N1-204)         | 1    |
| 7           | 616 120 4820 | SPRING                      | 2    |
| 8           | 411 159 2201 | PIN SPRING 2.5X25           | 1    |
| 9           | 616 120 4837 | LID LOWER (N1-186)          | 1    |
| 10          | 616 120 4844 | SCREW 4X14                  | 9    |
| 11          | 616 120 8019 | CAUTION LABEL A             | 1    |
| 12          | 616 120 4851 | PACKING A                   | 1    |
| 13          | 616 120 4592 | COOLING PLATE               | 1    |
| 14          | 411 096 5501 | SCR TRS 4X14                | 4    |
| 15          | 411 007 0908 | SCR TPG TRS 4X16            | 4    |
| 16          | 616 120 4875 | ALUMINUM CASE               | 1    |
| 17          | 616 120 4882 | PACKIN C                    | 1    |
| 18          | 411 125 4802 | SCR TPG FLT 4X16            | 2    |
| 19          | 616 120 8026 | CASE UPPER                  | 1    |
| 20          | 616 120 4905 | SWITCH BUTTON B (N1-204)    | 1    |
| 21          | 616 120 4912 | SWITCH BUTTON A (N1-204)    | 1    |
| 22          | 616 120 6053 | INSULATION ASS'Y            | 1    |
| 23          | 616 120 4936 | PACKIN E                    | 1    |
| 24          | 616 120 4943 | COOLING COVER (N1-186)      | 1    |
| 25          | 616 120 4950 | PACKIN D                    | 1    |
| 26          | 616 120 4967 | SEPARATOR SHELF (N1-151)    | 1    |
| 27          | 616 095 1855 | WIRE CONNECTOR (CE-230)     | 1    |
| $\Delta$ 28 | 424 004 0703 | FUSE (125V 7A)              | 1    |
| 29          | 616 120 4691 | INSULATOR                   | 1    |
| $\Delta$ 30 | 616 120 8071 | CONTROL CIRCUIT ASS'Y       | 1    |
| 31          | 411 064 9906 | SCR TPG BIN 4X12            | 2    |
| 32          | 616 120 4981 | FRAME                       | 1    |
| 33          | 411 098 3208 | SCR S-TPG TRS 4X8           | 1    |
| 34          | 616 120 5070 | BELT ASS'Y                  | 1    |
| 35          | 411 003 1206 | SCR PAN 4X20                | 2    |
| 36          | 411 008 1904 | WASHER SPR 4                | 2    |
| 37          | 411 093 8109 | WASHER Z 4.3X8X0.5          | 2    |
| 38          | 616 120 4608 | WASHER                      | 2    |
| 39          | 411 006 8905 | SCR TPG PAN 4X8             | 2    |
| 40          | 616 120 5452 | PACKIN F                    | 1    |
| $\Delta$ 41 | 402 068 4608 | RESISTOR (3.0 $\Omega$ 20W) | 1    |
| 42          | 616 120 4615 | FIN                         | 1    |
| $\Delta$ 43 | 616 120 4622 | PELTIER EFFECT              | 1    |
| 44          | 616 120 4639 | PACKIN B                    | 1    |
| $\Delta$ 45 | 616 120 4646 | THERMOSTAT                  | 1    |
| 46          | 616 120 4653 | SPRING                      | 1    |
| 47          | 616 120 4660 | COOLING BALANCER            | 1    |
| 48          | 616 120 4714 | WIRE CONNECTOR (CE-100)     | 3    |
| 49          | 616 120 4998 | HANDLE (N1-186)             | 1    |
| 50          | 411 007 3701 | SCR TPG BIN 4X20            | 5    |

| Key No.     | Parts No.    | Description               | Q'ty |
|-------------|--------------|---------------------------|------|
| 51          | 411 007 3602 | SCR TPG BIN 4X20          | 3    |
| 52          | 411 158 9904 | PIN SPRING 4X25           | 2    |
| 53          | 616 120 5001 | SWITCH CASE (N1-186)      | 1    |
| 54          | 616 120 5018 | AIR GUIDE (N1-186)        | 1    |
| $\Delta$ 55 | 616 120 4721 | COOLING FAN               | 1    |
| 56          | 411 006 8608 | SCR TPG PAN 4X33          | 3    |
| 57          | 411 006 8400 | SCR TPG PAN 4X25          | 2    |
| 58          | 616 120 5025 | CASE LOWER (N1-186)       | 1    |
| 59          | 616 120 8033 | NAME PLATE                | 1    |
| 60          | 616 120 8040 | CAUTION LABEL B           | 1    |
| $\Delta$ 61 | 616 120 5612 | DC POWERCORD SOCKET ASS'Y | 1    |
| 62          | 616 120 8057 | SOCKET COVER (N1-186)     | 1    |
| 63          | 411 068 2002 | SCR TPG PAN 4X16          | 2    |
| $\Delta$ 64 | 616 120 4752 | DC POWER CORD ASS'Y       | 1    |
| 65          | 616 120 8064 | CAUTION LABEL C           | 1    |
|             | 616 120 8101 | INSTRUCTION MANUAL        | 1    |
|             | 616 120 8118 | CARTON CASE               | 1    |

