

# WALL MOUNTING INSTRUCTIONS

## ① Safety Precautions:

1. Be sure to ask an authorized service personnel to carry out setup.
2. Thoroughly read this instruction before setup and follow the steps below precisely.
3. The wall to be mounted should be made from solid materials. Only use accessories supplied by the manufacturer.
4. Very carefully handle the unit during setup. We are not liable for any damage or injury caused by mishandling or improper installation.
5. Be sure to place the unit on a stable and soft platform which is strong enough to support the unit.
6. Do not uplift the speaker when moving the display. The appearance of the unit may different from the actual ones.
7. Design and specifications are subject to change without notice.
8. Retain these instructions for future reference.

**Note: All the wall mounting parts are optional and may be unavailable in your model.**

Below we will show you how to mount the Display on the wall using our company's wall mounting components.

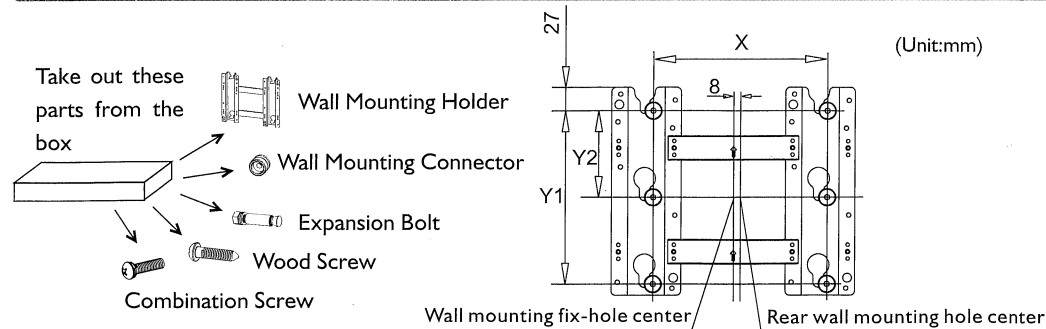


Fig. 1

Fig. 2

1. There are five options of wall mounting holder with different specifications: 200 × 100, 200 × 200, 200 × 400, 200 × 600, 400 × 400. Please check your wall mounting holder for its specification.

2. Due to the wall mounting fix-groove leaning to the right side, the whole unit will lean to right side after installation, please carefully measure the position of the holes you want to drill, refer to the parameters on Fig.2 when drilling the holes.

Note: The "X" in Fig.2 represents a data, it may be 200mm or 400mm or 600mm. The "Y1" in Fig.2 represents a data, it may be 200mm or 400mm. The "Y2" in Fig.2 represents a data, it may be 100mm.

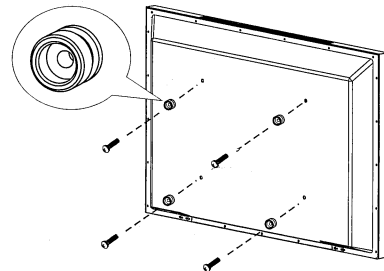


Fig. 4

4. Use the 4pcs combination screws with suitable length to fix the wall mounting connector to the rear of the display unit. (Caution: the direction of the connectors should be strictly confirm to the diagram illustrated above).

5. Put the back of the display unit close to the wall mounting holder, insert the four wall mounting connectors into the four calabash-shaped holes on the wall mounting holder. (Fig.5)

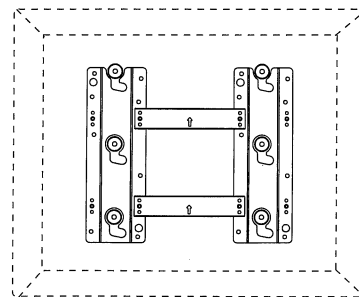


Fig. 5

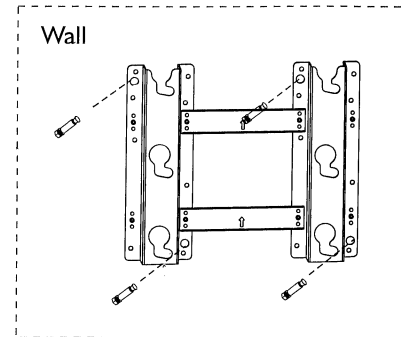


Fig.3a

3a. Screw 4pcs expansion bolts to fix the wall mounting holder on the wall.

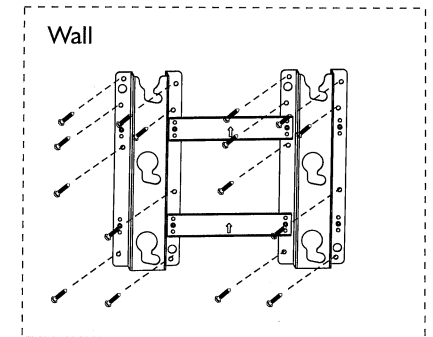


Fig.3b

3b. If your wall is a wooden structure, please fix the wall mounting holder on the wall with 16pcs wood screws.

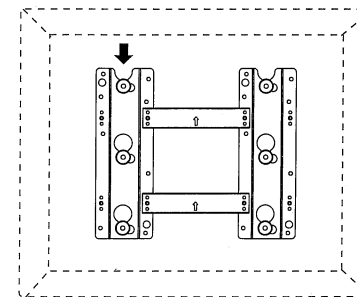


Fig.6

6. Let the display unit slowly slide down to the end of the calabash-shaped hole. (Fig.6)

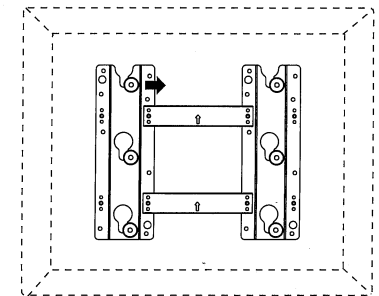


Fig.7

7. Push rightwards carefully until the wall mounting connectors fully slide into the right fix-grooves and be sure the mounting is secure.

8. If you want to dismount the unit do the above steps in reverse order.