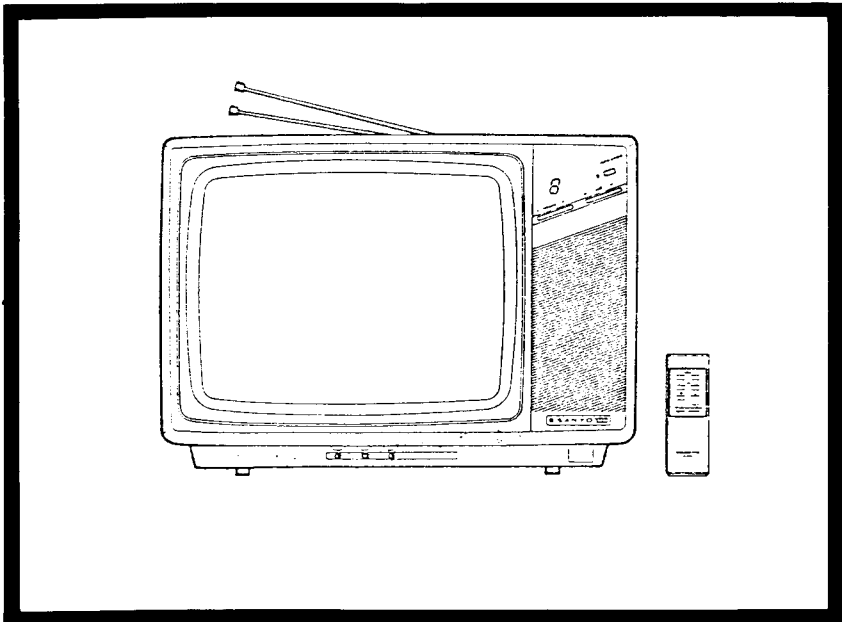




SANYO

CZP3045

Please read this booklet before attempting to operate your T.V. set.



SANYO COLOUR TELEVISION

OPERATING INSTRUCTIONS

We congratulate you on the purchase of your new Sanyo colour television. This set has been manufactured using the most advanced technical knowledge available and the most modern production and testing methods.

It complements the very high standard of modern colour transmission technology.

These are the important advantages of your colour T.V. set:

- Natural and brilliant colour reproduction and easy service.
- Excellent reception of distant stations because of the full electronic all band tuner, stabilized by AFT = Automatic Fine Tuning.
- Push button programme selection with programme indicator.
Up to eight programmes in your reception area can be memorized.
- Automatic control of important functions and the use of the latest transistors.

Autocrat Sanyo Ltd wish you many hours of enjoyment with your new Sanyo Colour Television.

Controls

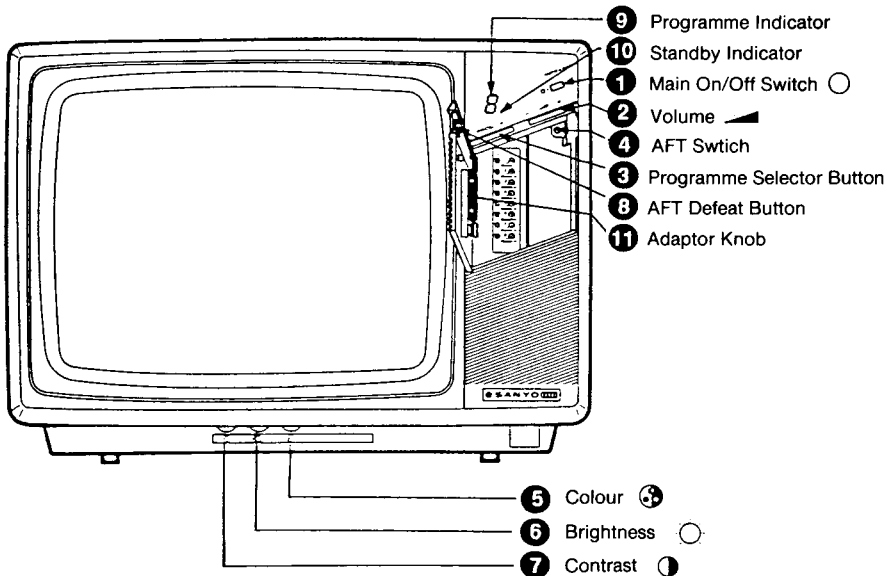


Figure-1

Operation

1. Switching on/off

The set is switched on by pressing button 1 . To switch off, press button again.

2. Volume

Use volume control button 2 (+ or -) to adjust the sound volume as desired.

3. Programme selection

Press the right side (+) of the programme selector 3 , and the TV set will step up to the next station, i.e: 1,2,3 . . . 8, 1,2,3 . . . Press the left side (-), and the TV set will step down to the previous station. The number of the programme selected will appear in the programme indicator 9 .

4. Adjusting picture

The Colour 5 , Brightness 6 , and Contrast 7 , rotary controls will have been set during installation, however, you may need to readjust from time to time.

AFT and Tuning

When pre-set adjustment becomes necessary, open the control box door by pulling the right top of it with your finger.

AFT (Automatic Fine Tuning)

AFT automatically maintains correct fine tuning so that it is seldom necessary to retune the set. AFT operates automatically when AFT defeat button 8 is in "ON" position and the control box door is closed.

(NOTE: AFT will be defeated when the control box door is open).

Tuning

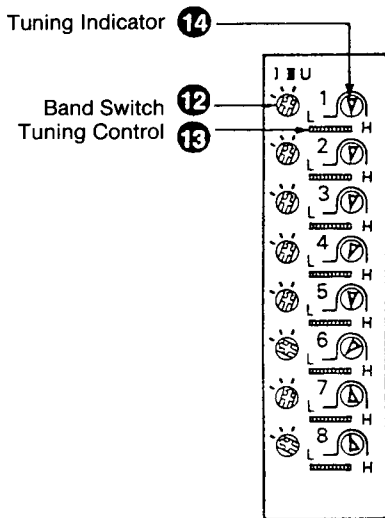


Figure-2

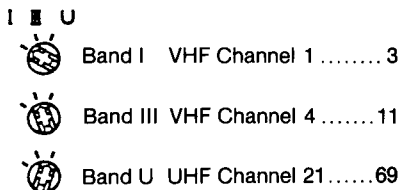
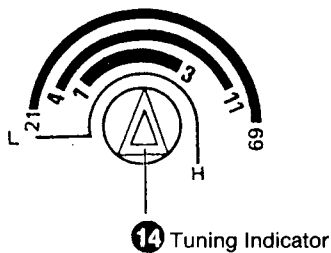


Figure-3

Tuning

Refer to Figure-2.

1. Press either + or — programme selector button **3** , step by step, until the desired number is displayed in the programme indicator **14**.
2. Reset the band switch **12** to the position corresponding to the channel to be switched over Figure-3. The band switch can be easily turned by using the adaptor knob **11** which is located on the control box.
3. Turn the tuning control **13** corresponding to the chosen programme number until the desired channel is indicated by tuning indicator **14** . Read the band I, III, or U scale on the indicator corresponding to the band switch. The tuning control should be carefully adjusted for the best sound and picture on the desired channel.
4. Repeat the procedure for other programme numbers if required.
5. After presetting the required programmes, close the control box.

A.V. (Audio Video) Connection

To use the set with a video cassette recorder the set must first be tuned to the channel signal produced by the VCR. Connect and operate the VCR according to the manufacturers instructions. Select programme "8 (AV)" and rotate the adjacent tuning control until the set is tuned into the recorder signal. For future use it will only be necessary to select programme "8 (AV)".

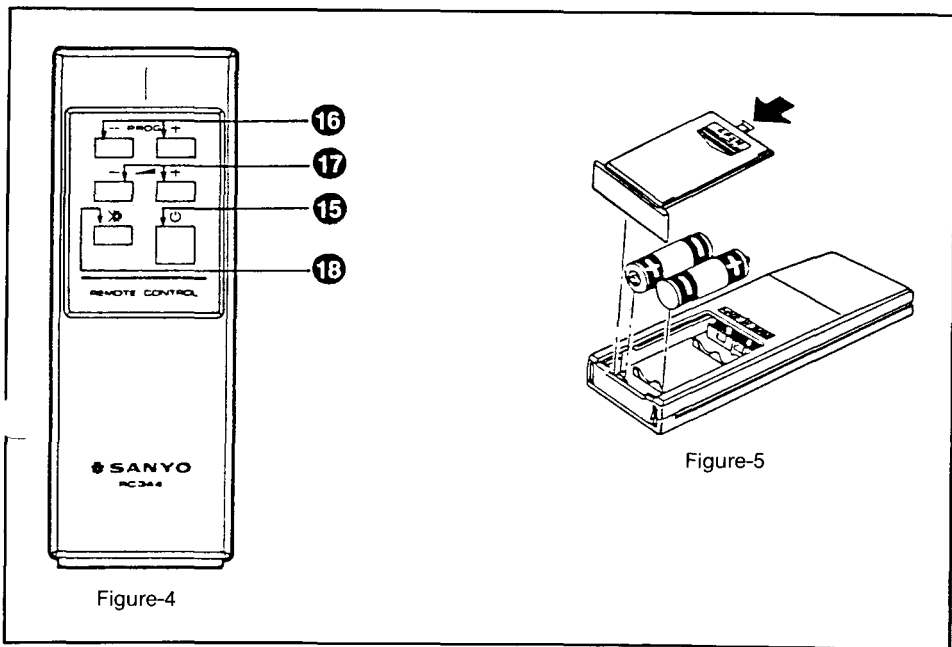


Figure-4

Figure-5

Remote Control

Refer to Figure-4

1. Remote Control Operation

Main ON/OFF switch of the TV set must be in the "ON" position before remote control operation. Point transmitter towards the TV set, then press the appropriate function button for the following controls.

2. Power ON/OFF

To switch the TV set on, press this button **15**. To switch TV set off, press it again.

NOTE: The standby indicator **10** will remain illuminated if the TV set is switched off with this button. This is to indicate that the TV set is partially energized. To cut off power to the TV set completely, switch it off by using the main ON/OFF switch on the set itself.

3. Programme selection

Press a (+) button of the programme selector **16**, and the TV set will step up to the next station, i.e.: 1,2,3...8; 1,2,3,... Press a (-) button, and the TV set will step down to the previous station. The number of the programme selected will appear in the programme indicator **9**.

4. Volume

To increase the volume, press the (+) button **17** and to decrease it, press the (-) button.

5. Sound mute

Should you wish to mute the sound (e.g. While talking on the telephone) Press this button **18** once. To switch the sound back on, press it again.

Battery Installation

Refer to Figure-5

1. Remove the battery cover by sliding it.
2. Install two "AA" 1.5 volt batteries so that the "+" and "-" marks on the batteries match the "+" and "-" marks inside the unit.
3. Close the battery cover.

NOTE:

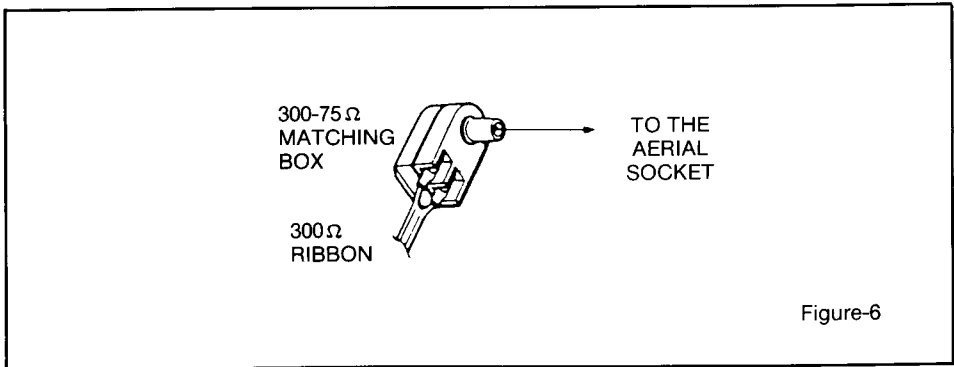
Replace the batteries when the TV set is showing the following symptoms: Operation is unsteady or erratic, sometimes the TV set does not work with transmitter. Discharged batteries may leak and damage the unit. The normal life of batteries should be from nine to ten months.

Aerial

The type of aerial required depends on factors such as the site, its distance and direction from the transmitter, local interference etc. Your dealer will advise you on the best type of aerial to use.

The aerial socket is on the back panel of the TV set.

- The telescopic aerial is an auxiliary aerial and will only give satisfactory reception in areas near the transmitter. For good reception, adjust the aerial by varying the length and angle of the rods until the clearest picture is obtained.
- When 75 ohm (coaxial cable) is used for aerial input. Connect cable with IEC connector to aerial socket.
- When 300 ohm feeder is used for aerial input. Install adaptor to the aerial socket as shown in Figure-6 below and connect feeder to the terminal of the adaptor.



Mains Supply

The receiver is designed to operate on an A.C. mains supply of 230 volts 50Hz.

Specifications

Power Source	AC 230V, 50Hz
Power Consumption	50 Watts
Television System	System B/G
Colour System	PAL
Channel Coverage	VHF: 1-11
	UHF: 21-69
Aerial Input Impedance	75ohm
Picture Tube	34cm diagonal, 90 degree
Audio Output	1.5 Watts
Semiconductors	16 Transistors
	8 Integrated Circuits
High Voltage	22kV stabilized
Dimensions	463(W) x 335(H) x 370(D)
Weight	11kg

Customer responsibilities list

BEFORE YOU CALL FOR SERVICE, check the following points which are your responsibility. A service charge will be made for service as a result of:

- 1. Power point not switched on or plug not pushed in.**
- 2. No power at power point. Check with small appliance.**
- 3. Aerial lead not properly connected.**
- 4. Controls not properly adjusted in accordance with operating instructions.**

Manufactured and assembled
in New Zealand under exclusive licence
to the Sanyo Electric Co. of Japan by:-

AUTOCRAT SANYO LTD.
142 Broadway, Newmarket,
Private Bag, Newmarket,
Auckland.

P/N 94-005895

Institute Press

CZP 3045