

SANYO

DC-AX20 (AU)

INSTRUCTION MANUAL

MICRO STEREO SYSTEM



CONTENTS

PAGE

IMPORTANT NOTES.....	2
FEATURES AND CONTROLS.....	3
REMOTE CONTROL.....	4
INSTALLATION AND CONNECTIONS.....	4
BASIC OPERATION.....	5
RADIO OPERATION.....	6
COMPACT DISC PLAYER OPERATION.....	6
CASSETTE RECORDER OPERATION.....	8
MAINTENANCE.....	10
SPECIFICATION.....	12

To achieve the utmost in enjoyment and performance, please read this manual carefully before attempting to operate the unit in order to become familiar with its features, and assure you years of faithful, trouble free performance and listening pleasure.

IMPORTANT NOTES

- The appliance shall not be exposed to dripping or splashing and that no objects filled with liquids, such as vases, shall be placed on the appliance.
- **Caution: Danger of damage if battery is incorrectly replaced. Replace only with the same or equivalent type.**
- Keep safety and operating instructions in a safe place for future reference.
- Avoid installing the unit in locations described below:
 - Places exposed to direct sunlight or close to heat radiating appliances such as electric heaters.
 - On top of other stereo equipment that radiate too much heat.
 - Places lacking ventilation or dusty places.
 - Places subject to constant vibration.
 - Humid or moist places.
- Make sure not to obstruct the ventilation opening.
- Operate turning controls and switches as instructed in the manual.
- Before turning on the power for the first time, make certain the power cord is properly installed.
- Store your tapes or CD in a cool area to avoid damage from heat.

For safety reasons, do not remove any covers or attempt to gain access to the inside of the product. Refer any servicing to qualified personnel.

Do not attempt to remove any screws, or open the casing of the unit; there are no user serviceable parts inside, refer all servicing to qualified service personnel.



CAUTION: TO REDUCE THE RISK OF ELECTRIC SHOCK DO NOT REMOVE COVER (OR BACK), NO USER SERVICEABLE PARTS INSIDE, REFER SERVICING TO QUALIFIED SERVICE PERSONNEL.

DANGEROUS VOLTAGE



Contains dangerous voltage, that may be of sufficient magnitude to constitute a risk of electric shock to persons is present within this product's enclosure.

ATTENTION



The owner's manual contains important operating and maintenance instructions, for your safety, it is necessary to refer to the manual.

WARNING: TO PREVENT FIRE OR SHOCK HAZARD, DO NOT EXPOSE THIS APPLIANCE TO LIQUID OR SPLASHING.

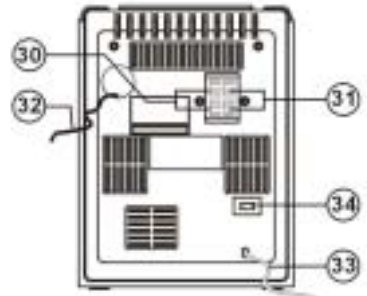
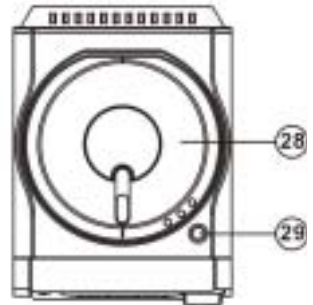
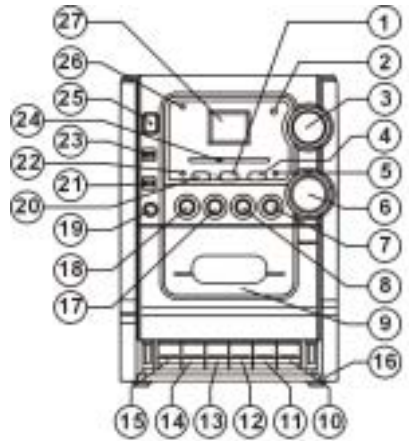
Note:

This unit will become warm when used for a long period of time. This is normal and does not indicate a problem with the unit.

This CD player includes microprocessors, which may malfunction as a result of external electrical interference or noise. If the CD player is not working properly, disconnect the power source and then reconnect it.

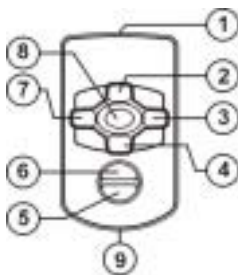
FEATURES AND CONTROLS

1. PROGRAM Button
2. Remote Sensor
3. VOLUME Control
4. REPEAT Button
5. FM Stereo Indicator
6. TUNING Knob
7. ►► SKIP+ Button
8. ◀◀ SKIP- Button
9. Cassette Door
10. PAUSE Button
11. STOP / EJECT Button
12. FAST FORWARD Button
13. REWIND Button
14. PLAY Button
15. RECORD Button
16. Cassette Button Door
17. ■ STOP Button
18. ■ CD PLAY / PAUSE Button
19. HEADPHONE Jack
20. BASSXPANDER Button
21. BAND Selector (AM / FM / FM ST.)
22. BASSXPANDER Indicator
23. FUNCTION Selector (TAPE / RADIO / CD)
24. Dial Pointer
25. POWER ON / OFF Button
26. POWER Indicator
27. LCD Display
28. CD Door
29. CD Door Open Button
30. RIGHT Speaker Terminal
31. LEFT Speaker Terminal
32. FM Antenna Wire
33. AC Cord
34. VOLTAGE Selector (OPTIONAL)



REMOTE CONTROL

1. Infrared Transmitter
2. RANDOM Button
3. SKIP+ Button
4. PROG. Button
5. STOP Button
6. PLAY / PAUSE Button
7. SKIP- Button
8. REPEAT Button
9. Battery Compartment



INSTALLATION AND CONNECTIONS

REPLACING Remote Control BATTERY

1. Turn over the remote control, and remove the battery door.
2. Install 1 "CR2025" lithium battery according to the polarity diagram on the battery compartment.
3. Close the battery door.

BATTERY PRECAUTIONS

Follow these precautions when using battery in this device:

1. Use only the size and type of battery specified.
2. Be sure to follow the correct polarity when installing the battery as indicated in the battery compartment. Reversed battery may cause damage to the device.
3. If the device is not to be used for a long period of time, remove the battery to prevent damage or injury from possible battery leakage.
4. Do not try to recharge battery, not intended to be recharged; they can overheat and rupture. (Follow battery manufacturer's directions.)



SPEAKER CONNECTION

1. Insert the speaker cables by pushing down the terminal lever of the Left Speaker Terminal and the Right Speaker Terminal.
2. Connect the Left Speaker to Left Speaker Terminals, with white wire to the L+ and Black wire to the L-.
3. Connect the Right Speaker to Right Speaker Terminals, with white wire to the R+ and Black wire to the R-.



MAIN CONNECTION

This unit was designed to operate into an AC 230 - 240V ~ 50Hz house current.

Connecting this system to any other power supply could result in damage to the unit, which is not covered by your warranty. If this plug will not fit into your outlet, you should have your outlet changed by a qualified licensed electrician.

1. Unwind the AC Power Cord on the main unit.
2. Insert the plug into any convenient AC outlet.

ANTENNA CONNECTION

FM: Extend and move the FM Antenna Wire. If stereo broadcast is received, the FM STEREO indicator will light up. In case of Stereo stations with a bad reception (noise infested reception), we recommend slide BAND selector to MONO position.

AM: This system is equipped with a built-in directional ferrite antenna, move and rotate the system for best reception.



LISTENING THROUGH HEADPHONES

You can use headphones (not included) to listen in privacy. Insert the headphones 3.5mm plug into HEADPHONE Jack Use corresponding adaptors (specialist shops) if you have different plugs. The speakers are automatically switched off when the headphones are being used.

Listening Safety

To protect your hearing, follow these guidelines when you use headphones.

- Turn the volume to counter clockwise before you begin listening. After you begin listening, adjust the volume to a comfortable sound level.
- Do not listen at extremely high volume level. Extended high volume listening can lead to permanent hearing loss.
- Once you set the volume, do not increase it. Overtime, your ears adapt to the volume level, so a volume level that does not cause discomfort might still damage your hearing.

BASIC OPERATION

Turn ON the unit

Press down POWER ON / OFF button with locked to switch on the unit. You can now select your desired music source by slide the FUNCTION selector.

Turn OFF the unit

Press down and release the POWER ON / OFF button to switch OFF the unit.

VOLUME Control

MAXIMUM: Turn to clockwise for increase the sound level.

MINIMUM: Turn to counterclockwise for decrease the sound level.

BASSXPANDER button

ON: Press once to active boost low frequency and BASSXPANDER indicator light up.

OFF: Press once during ON mode and BASSXPANDER indicator goes off.

RADIO OPERATION

1. Switch ON the unit.
2. Slide the FUNCTION selector to RADIO position.
3. Slide BAND selector to select the desired band.
4. Turn the TUNING knob to select the desired broadcasting station.
 - FM STEREO indicator will light up when received a stereo signal in FM STEREO mode.
 - Extend the FM Antenna Wire at rear cabinet for best reception.
 - Move and rotate the system for improve AM reception.
5. Adjust VOLUME control to a comfortable sound level.
6. Press and release POWER ON / OFF button to switch OFF unit.

COMPACT DISC PLAYER OPERATION

Loading Compact Disc

- Press CD door Open button to open CD door .
- Load a disc with label side upward with push down the CD door to close.

Playing Compact Disc

1. Switch ON the unit.
2. Slide FUNCTION selector to CD position.
3. Load a disc into the CD compartment and close the CD door. After the CD Player read TOC then press CD PLAY / PAUSE Button to start playback.
4. Press STOP ■ button to stop playback.
5. Press down and release POWER ON / OFF button to switch OFF unit.

NOTE: If no disc or damaged disc loaded, the LCD display will show as below Fig. 1a.

If loaded disc contains 18 tracks, the LCD display will show as below Fig. 1b.



Fig. 1a

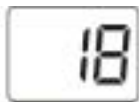


Fig.1b



Fig. 2

▶/|| / PLAY / PAUSE button

START: Press once after loaded CD disc.

SUSPEND: Press once during playback and the current playing track will be blinking on the LCD Display as above Fig. 2.

RESUME: Press once during pause, continuous playback and the current track stop blinking on the LCD Display.

▶▶ SKIP+ and ◀◀ SKIP- button

Button	PALY mode		STOP mode
	Press once	Press twice	Press once
◀◀	Back to the beginning of the current track	Previous track	Previous track
▶▶	Next track	--	Next track

REPEAT button

This button was designed as cyclical.

REPEAT 1: Press once from beginning during playback as below Fig. 3a.

REPEAT ALL: Press twice from beginning during playback as below Fig. 3b.

Disable: Press repeatedly until REPEAT indicator disappear on the LCD Display.



Fig. 3a



Fig. 3b

PROGRAMMING CD

The CD player enable program 20 tracks in a sequence of your choice.


1. Press PROGRAM button in stop mode as below Fig. 4a.
2. Press ▶▶ and ◀◀ button to select the desired track to be programmed.
3. Press PROGRAM button to entry memory.
4. Continue to program, repeat step 2 and 3 until memory full as below Fig 4c.
5. Press  PLAY / PAUSE button on program mode to play the programmed tracks as below Fig. 4b.



Fig. 4a



Fig. 4b

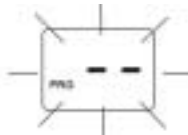



Fig. 4c

CLEAR THE PROGRAMMED TRACKS.

- Press STOP  button twice while in program mode or
- Open the CD door by press CD Door Open button or
- Change the FUNCTION selector.

Note on CD-R / RW discs




- Because of non-standardized format definition / production of CD-R / RW, playback quality & performance are not guaranteed.
- Do not attach a seal or label to either side (the record able side or the labeled side) of a CD-R / RW disc. It may cause malfunction.
- Do not load un-recorded CD-R / RW disc. It will take over 30 seconds to read the disc.
The disc may be damaged if you try to open the CD door while reading the disc.

RANDOM PLAY

1. Press the RANDOM button, and the "RANDOM" indicator will appear on the LCD Display.
2. Press the RANDOM button again to cancel the random play.

CASSETTE RECORDER OPERATION

Playback pre-recorded Tape

1. Switch ON the unit.
2. Slide FUNCTION selector to TAPE position.
3. Insert a pre-recorded tape with exposed side downward and full spool to the left side.
4. Press down PLAY button until locked to start playback.
5. Press  /  STOP / EJECT button to stop playback.
6. Press and release the POWER ON / OFF button to switch OFF TAPE.

PLAY button

START Press down until locked.

PAUSE button

SUSPEND Press down until locked.

RESUME Press and release until return to original position.

/ STOP / EJECT button

STOP Press to stop playback.

EJECT Press to eject cassette tape from cassette compartment at stop mode.

FAST FORWARD button

FORWARD Press down until locked for tape forward winding.

NOTE:

When the end of the tape was reached, press  /  STOP / EJECT button to stop winding tape.

REWIND button

REWIND Press down until locked for backward winding

NOTE:

When the end of the tape was reached, press  /  STOP / EJECT button to stop winding tape.

● RECORD Button

START Press down until locked.

Recording from RADIO

1. Slide FUNCTION selector to RADIO position.
2. Slide BAND selector to select the desired band.
3. Adjust TUNING knob to select the desired broadcast station.
4. Insert a blank tape with exposed side downward and full spool to the left side into cassette compartment and close cassette door.
5. Press down ● RECORD and ▶ PLAY button until locked to start record broadcast station.
6. Press ■ / ⏏ STOP / EJECT button to stop record.

Recording from Compact Disc

1. Slide FUNCTION selector to CD position.
2. Insert a blank tape with exposed side downward and full spool to the left side into cassette compartment and close cassette door.
3. Press down ● RECORD and ▶ PLAY button until locked first, then press down PAUSE button until locked.
4. Load a disc into CD compartment and close the CD door. If necessary, select a track by pressing ►► and ◀◀ SKIP- button.
5. Press ▶/|| PLAY / PAUSE button first to start playback, then press down and release || PAUSE button to start recording.
6. Press ■ / ⏏ STOP / EJECT button to stop record.

NOTE:

- When the end of the tape was reached, the cassette deck will stop automatically even at playback or recording mode.
- Press improper combination of cassette buttons may damage the tape inside the cassette compartment.

MAINTENANCE

Protecting Recordings

Normally, anything recorded on the tape is automatically erased when new recording is made.

It is possible to protect your recordings from accidental erasure by removing the tabs found on the rear of the cassette.

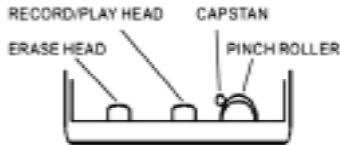


When the cassette is held with the recorded side upper-most and exposed tape facing the front, the protective tab will be found on the left rear of the cassette.

All pre-recorded cassettes are protected in this way to prevent accidental erasure of the commercial recordings. "Protected" cassettes will prevent the record button from being operated. If at any time you attempt to record and find that this button will not depress, never force the mechanism or it may be damaged. Check that a cassette has been loaded and that tab has not been removed. Recording on a cassette from which the tabs have been removed can be done by covering the tab openings with a piece of adhesive tape.

Care of Cassette Mechanism

Gently clean the tape head and pinch-wheel / capstan assemblies after every 10 hours of use until all traces of oxide deposit have been removed. A range of cassette care products is available.



The erase head and record/play head and the surface of the pinch roller are delicate and must not be touched with metal objects such as screwdrivers. You may find it easier to clean the assembly by pressing the PLAY button to bring head and pinch roller into view. Be sure to press the CASS. STOP button after cleaning the mechanism. Damage to the pinch wheel can occur if the unit is left in PLAY mode with the power switched off.

Under no circumstances should you attempt to lubricate any part of the machine.

WARNING

Disconnect from the mains at the wall socket when not in use. Do not expose the set to rain or moisture.

COMPACT DISC

1. Always use compact discs bearing the mark as shown.
2. Notes on handling discs
 - Removing the disc from its storage case and loading it.
 - Do not touch the reflective recorded surface.
 - Do not stick paper or write anything on the surface.
 - Do not bend the disc.



3. Storage

- Store the disc in its case.
- Do not expose discs to direct sunlight or high temperatures, high humidity or dusty places.
- Cleaning a disc
 - Should the disc become soiled, wipe off dust, dirt and fingerprints with a soft cloth.
 - The disc should be cleaned from the center to the edge.
- Never use benzene, thinners, record cleaner fluid or anti static spray.
- Be sure to close the CD door so the lens is not contaminated by dust.
- Do not touch the lens.



SPECIFICATION

Radio Section

Frequency Range	AM: 530 – 1600 KHz FM : 88 – 108 MHz
-----------------	---

CD Player

Playback System	Top load CD mechanism
Memory Program	20 Tracks
Frequency Response	100 Hz – 20 KHz
S/N Ratio	60 dB

Cassette Recorder

Recording System	DC Bias
Erase System	Magnet Erase
Auto Stop System	Playback only
Frequency Response	125 – 6300 Hz

Audio Section

Headphone Impedance	16 – 32 ohm
---------------------	-------------

Speaker System

Impedance	4 ohm 280Watts (PMPO)
Driver	3.5 inch full range
Cabinet	Wooden
Cloth Grille	Detachable

General

Power Source	AC 230-240V ~ 50Hz DC 3V - 1 pc of "CR2025" lithium battery (included) or equivalent for remote handset
Output Power	2.5 Watts RMS x 2
Power Consumption	23 Watts
Dimension (mm)	Main Unit : 155(W) × 223(D) × 225(H) Speaker Box: 118(W) × 194(D) × 220(H) (approx)

ACCESSORIES:

Instruction Manual	1 pc
Remote Control Handset	1 pc

Design and specification subject to change are without notice.

(AU)



SANYO Electric Co., Ltd. Osaka Japan