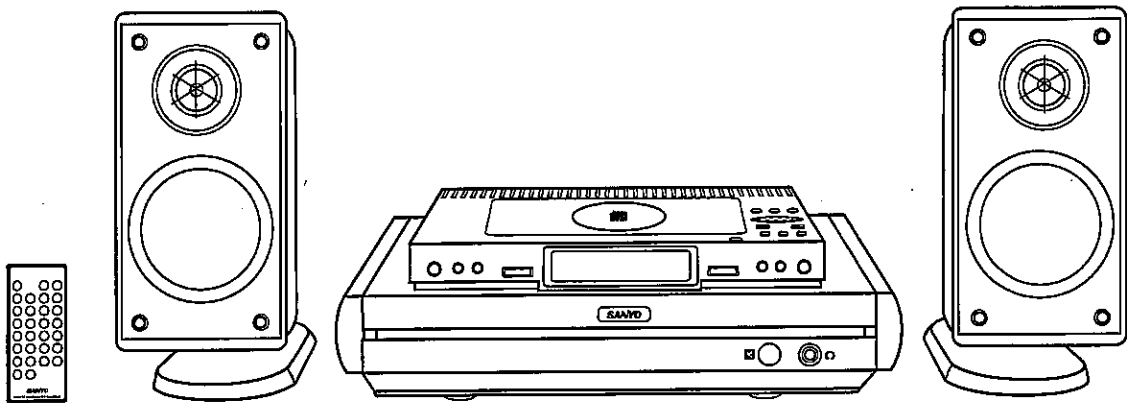


SANYO

INSTRUCTION MANUAL

DC-MCR50

Micro Component System



PRECAUTIONS

CAUTION - INVISIBLE LASER RADIATION WHEN OPEN AND INTERLOCKS DEFEATED. AVOID EXPOSURE TO BEAM.

ADVARSEL - USYNLIG LASER STRÅLING VED ÅBNING, NÅR SIKKERHEDSAFBRYDERE ER UDE AF FUNKTION, UNDGÅ UDSÆTTELSE FOR STRÅLING.

VARNING - OSYNLIG LASER STRÅLNING NÅR DENNA DEL ÄR ÖPPNAD OCH SPÄRR ÄR URKOPPLAD. STRÅLEN ÄR FARLIG.

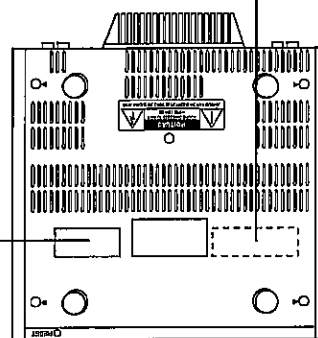
VORSICHT - UNSICHTBARE LASERSTRAHLUNG TRITT AUS, WENN DECKEL-GEÖFFNET UND WENN SICHERHEITSVERRIEGELUNG ÜBERBRÜCKT IST. NICHT, DEM STRAHL AUSSETZEN.

VARO - AVATTAESSA JA SUOJALUKITUS OHITETTAESSA OLET ALTTIINA NÄKYMÄTTÖMÄLLE LASERSÄTEILYLLE. ÄLÄ KATSO SÄTEESEEN.



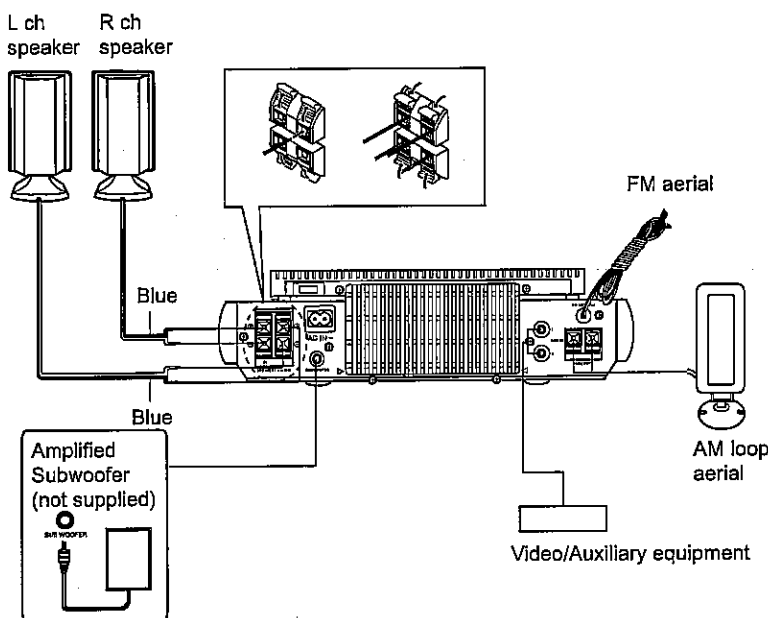
CAUTION - USE OF CONTROLS OR ADJUSTMENTS OR PERFORMANCE OF PROCEDURES OTHER THAN THOSE SPECIFIED IN THE OPERATING INSTRUCTIONS MAY RESULT IN HAZARDOUS RADIATION EXPOSURE. THIS PRODUCT SHOULD NOT BE ADJUSTED OR REPAIRED BY ANYONE EXCEPT PROPERLY QUALIFIED PERSONNEL.

CLASS 1 LASER PRODUCT
LUOKAN 1 LASERLAITE
KLASS 1 LASERAPPARAT



- The apparatus shall not be exposed to dripping or splashing.
- No objects filled with liquids, such as vases, shall be placed on the apparatus.
- Do not use where there are extremes of temperature (below 5°C or exceeding 35°C) or where direct sunlight may strike it.
- Because of the CD player's extremely low noise and wide dynamic range, there might be a tendency to set the volume on the amplifier unnecessarily high. Doing so may produce an excessively large output from the amplifier which could damage your speakers.
- Sudden changes in the ambient temperature may cause condensation to form on the optical lens inside the unit. If this happens, take out the disc, leave the unit for about 1 hour, and then proceed to operate.
- The system's speakers use powerful magnets. Do not place timepieces, credit cards, cassette tapes or video tapes, etc. near the speakers.
- Do not install this equipment in a confined space, such as a book case or built in cabinet.
- The rating label is located on the bottom of the unit.

CONNECTIONS



Note:

- Do not connect the mains lead to an AC outlet until all connections have been made.
- The system is not completely disconnected from the mains when the \odot /ON button is set to the \odot position.

Speakers

When connecting the speakers, make sure that (+) and (-) polarities are matched properly. Otherwise, the sound may appear to be lacking in the bass range and stability.

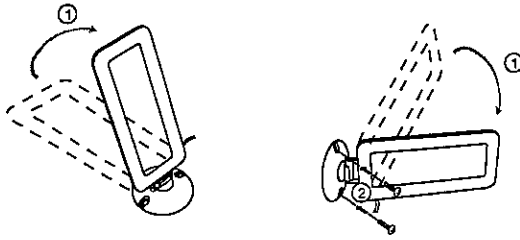
Connect the blue speaker wire (see the bottom of the speaker) to the red terminal \oplus and the other wire to the black terminal \ominus .

FM Aerial

FM indoor aerial is sufficient to receive broadcasts. Extend the aerial wire as straight as possible and, while listening to the sound from the system, secure it in a position which yields minimal distortion and noise.

AM Loop aerial

Assemble the loop aerial as shown in figure. Unwind the aerial wires, then connect them to the AM LOOP terminals. Place the loop aerial in a position which yields the best AM(MW/LW) reception, or attach it to a wall or other surface as shown in figure.



Screws (not supplied)

Note:

To minimize noise, the speaker, mains and any other leads should not come close to the indoor or external aerial lead and AM loop aerial. Do not place the aerial leads close to the system.

Video/Auxiliary equipment

Connect audio leads (not supplied) from the audio output sockets of a video/auxiliary equipment to the AUX IN sockets.

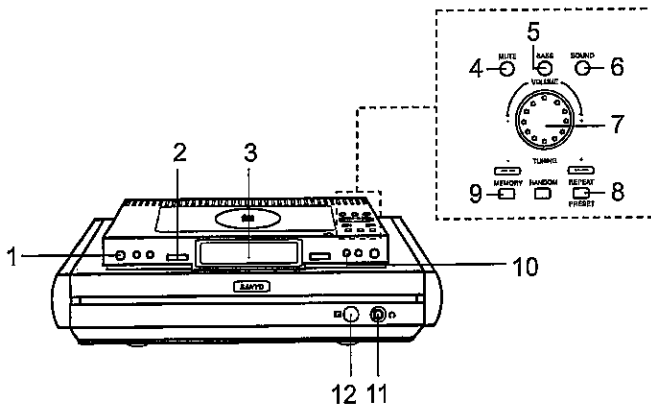
Subwoofer output socket (SUB WOOFER)

Connect the amplified subwoofer (not supplied) to the SUB WOOFER socket.

Headphones

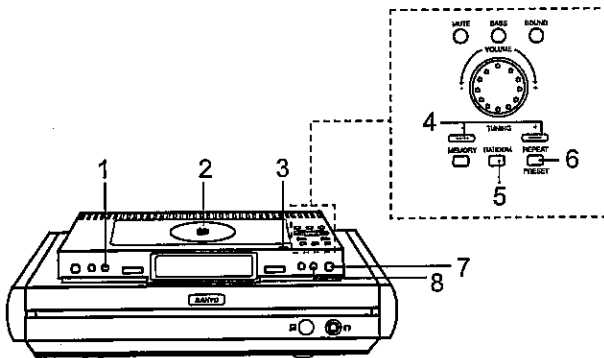
Connect stereo headphones (not supplied) to the PHONES socket for monitoring or for private listening. The speakers are automatically disconnected when headphones are connected.

CONTROLS



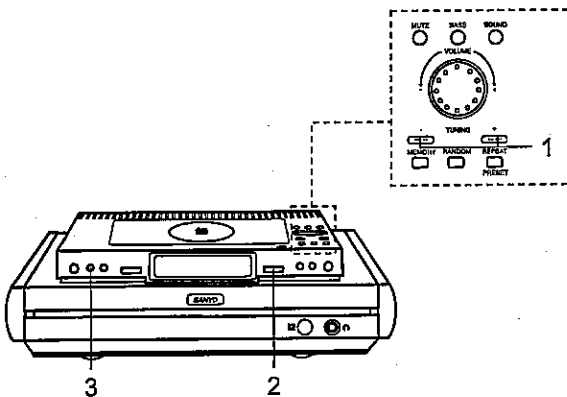
Amplifier/Common section

1. Power button (ON/OFF)
2. AUX function button (AUX)
3. Display
4. Mute button (MUTE)
5. Bass expander button (BASS)
6. Sound preset button (SOUND)
7. Volume control (VOLUME)
8. Preset button (PRESET)
9. Memory button (MEMORY)
10. Display mode button (MODE)
11. Headphones jack (PHONES)
12. Remote sensor (IR)



CD player section

1. Introscan play button (INTRO)
2. CD compartment
3. Open/Close button for CD Compartment (OPEN/CLOSE)
4. Skip/Search buttons (SKIP/SEARCH)
5. Random play button (RANDOM)
6. Repeat play button (REPEAT)
7. Play/Pause button (PLAY/PAUSE)
8. Stop button (STOP)

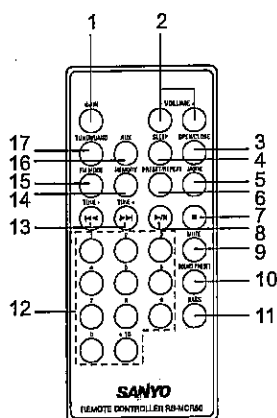


Tuner section

1. Tuning buttons (-TUNING/+)
2. Tuner function/Band select button (TUNER/BAND)
3. FM mode button (FM MODE)

REMOTE CONTROL

Controls



1. Power button (⏻/ON)
2. Volume buttons (-VOLUME+)
3. Open/Close button for CD Compartment (OPEN/CLOSE)
4. Sleep button (SLEEP)
5. Display mode button (MODE)
6. Preset/CD repeat play button (PRESET/REPEAT)
7. Stop button (■)
8. Play/Pause button (▶/⏸)
9. Mute button (MUTE)
10. Sound preset button (SOUND PRESET)
11. Bass expander button (BASS)
12. Number buttons (1-9, 0, +10)
13. Skip/Search, Tuning buttons (◀◀/TUNE-, ▶▶/TUNE+)
14. Memory button (MEMORY)
15. FM mode button (FM MODE)
16. AUX function button (AUX)
17. Tuner function/Band select button (TUNER/BAND)

Number buttons (1-9, 0, +10)

These buttons are used to select the track numbers on a disc or preset radio stations.

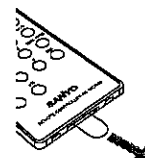
If the function is "CD", the buttons select the track numbers on a disc.

If the function is "TUNER", the buttons select preset radio stations.

With any other function, the buttons will not function.

- Two buttons must always be pressed.
Example:
To select No. 3, press [3].
To select No. 10, press [+10], then [0].
To select No. 25, press [+ 10] twice, then [5].

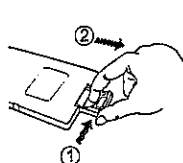
When you use the remote control for the first time...
Pull the plastic sheet. The remote control can be used from now.



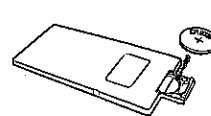
NOTE:
There is CR2025 Lithium Battery (supplied) in the battery compartment of the remote control.

Replacing the battery

1



2

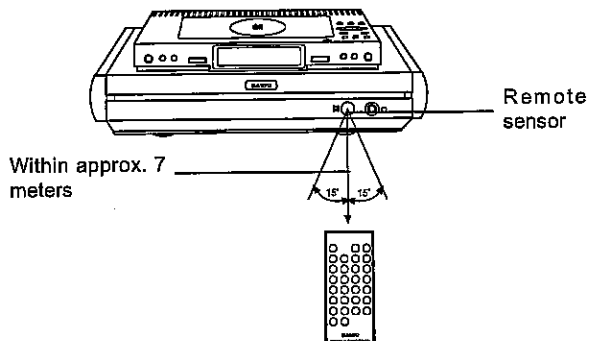


Please purchase CR2025 Lithium Battery.

CAUTION:

Danger of explosion if battery is incorrectly replaced. Replace only with the same or equivalent type.

Remote control range



Note:

Always remove battery if the remote control is not to be used for a month or more. Battery left in the unit may leak and cause damage.

GENERAL OPERATION

Turning the power on and off

Press the ⏻/ON button. The display light. To turn the power off, press the ⏻/ON button again.



Selecting the sound mode

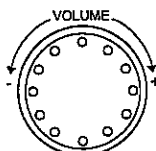
Press the SOUND button to select the sound mode matching the music to be listened to. Each time the button is pressed, the display changes as shown below.



- FLAT: To give a flat response (no equalization)
- ROCK: Rock music, etc.
- JAZZ: Jazz, etc.
- POPS: Pops, etc.
- CLASSIC: Classical music, etc.

Adjusting the volume

Turn the - VOLUME + button, or press the VOLUME + or - button on the remote control. The volume level appears by numbers (VOL 00 ~ VOL 40) on the display.



Bass expander system

Press the BASS button to enhance the bass sound. "BASS" appears on the display.

BASS



To reduce the volume temporarily (muting)

Press the MUTE button.

- "VOL 0" appears briefly on the display.
- The function display and "VOL 0" appear alternately.

To cancel this mode, do one of the following:

- Press the MUTE button again, "VOL ON" appears briefly.
- Turn the volume control.

MUTE



What to do if ...

If the operation of the unit or display is not normal,

1. Disconnect the mains lead.
2. Press the RESET button (bottom of the unit) for at least 30 seconds.
3. Connect the mains lead.
4. Resume the operation.

CD PLAY

Use compact discs bearing the symbol shown. In addition to conventional 12 cm CDs, this system can be used to play 8 cm CDs without an adapter.

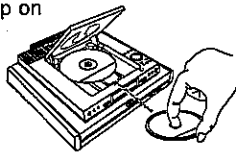


Note:

This unit can play back the CD-R/RW that have recorded music data as well. However, some CD-R/RWs can not be played back depending on the recording conditions.

If disc is loaded, you can turn the unit on and begin play immediately by pressing the ►/|| button.

1. Press the /ON button, the display lights.
2. Press the OPEN/CLOSE button to open the CD compartment lid. "OPEN" appears.
3. Place the disc with the label facing up on the disc tray (Fig. 8).
(Place only one disc at a time.)

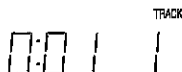


4. Press the OPEN/CLOSE button again to close the CD compartment lid. The total number of tracks and total playing time on the disc appear.

Note:

If the disc is loaded with the label facing downward, or if a badly scratched disc is loaded, "no disc" or "Err" appears. If this occurs, load the disc correctly or replace the damaged disc.

5. Press the ►/|| button. Play starts from the first track.



The current track number and elapsed playing time are displayed.

6. Press the button to end disc play.
When the last track has been played, the player stops automatically.

Notes on handling compact discs

- Do not expose the disc to direct sunlight, high humidity or high temperatures for extended periods of time.
- Discs should be returned to their cases after use.
- Do not apply paper or write anything on the disc surface.
- Handle the disc by its edge. Do not touch the playing surface (glossy side).
- Fingerprints and dust should be carefully wiped off the playing surface of the disc with a soft cloth.
Wipe in a straight motion from the centre to the outside of the disc.
- Never use chemicals such as record cleaning sprays, antistatic sprays or fluids, benzene or thinner to clean compact discs.

To start play from the desired track

Select the track by using the ►►/►► or ◀◀/◀◀ button, then press the ►/|| button.

Temporarily stopping play

Press the ►/|| button, elapsed playing time blink on the display. To resume play, press the button again.

Skip play

To skip to track 6 while track 3 is playing, press the ►►/►► button repeatedly until "6" appears (in the track section) on the display. To skip back to track 3 while track 6 is playing, press the ◀◀/◀◀ button repeatedly until "3" appears.

- The number buttons on the remote control can also be used for skip play. To skip to track 6 while one track is playing, press 6.

Search (forward/reverse)

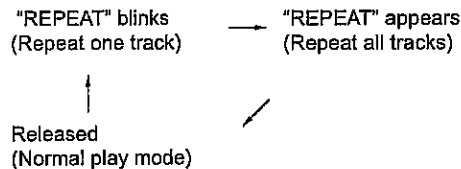
If the ►►/►► or ◀◀/◀◀ button is pressed during play, the player will search at high speed in the forward or reverse direction while the button is being pressed. When the button is released, normal play will continue.

VARIOUS PLAYING MODE

Repeat play

Press the REPEAT button repeatedly before or during play to select various repeat mode available.

Each time the REPEAT button is pressed, the repeat mode changes as shown below:



Introscan Play

1. Press the INTRO button, "INTRO" appears.
2. Press the ►/|| button. The first 10 seconds of each track on a disc are played from the first track.
3. When the desired track is playing, press the INTRO button again. Normal play continues.

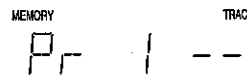
Random Play

1. Press the RANDOM button, "RANDOM" appears.
2. Press the ►/|| button. All tracks on the disc are played in random order.
3. To cancel random play, press the RANDOM button once again.

Programmed Play

- Up to 16 tracks on a disc can be programmed for play in any order.
- First, select "CD" function and load a disc that you want to programme.
 - The tracks must be programmed in the stop mode.
 - The same track can be programmed more than once.

1. Press the MEMORY button.



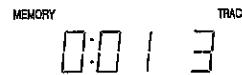
2. Select a track by using the ►►/►► or ◀◀/◀◀ button.
- The number buttons on the remote control can also be used.



3. Press the MEMORY button.



4. Repeat steps 2 - 3 to programme additional tracks.
5. Press the ►/|| button to start programmed play.



- To cancel programmed play, press the button twice.

Checking the programme

Each time the MEMORY button is pressed in the stop mode, the programmed details sequentially appear on the display.

Changing a programme

To add a new track to a programme:

1. In the stop mode, press the MEMORY button repeatedly until "--" on the track section appears on the display.
2. Select a track as explained above.
3. Press the MEMORY button.

To change a track:

1. In the stop mode, press the MEMORY button repeatedly until the track number to be replaced is displayed.
2. Select a track as explained above.
3. Press the MEMORY button.

Note:

Programmed details cannot be partially deleted or inserted.

LISTENING TO THE RADIO

Automatic/Manual tuning

1. Press the TUNER/BAND button to select FM, AM.
2. **Automatic tuning**
Press the TUNING - or + button for at least 1 second to tune in a station. The unit will scan up or down the band and receive the next receivable station. Press the button again to continue.

Manual tuning

Press the TUNING - or + button briefly until the desired frequency is displayed.

FM 103.25 MHz

To preset stations

Up to 20 stations for FM band, 12 stations for AM band can be preset.

1. Tune in the station to be preset as described in "Automatic/Manual tuning".
2. Press the MEMORY button.

FM 103.25 MHz CH 11

3. Press the PRESET button to select the channel number to be preset.

FM 103.25 MHz CH 9

4. Press the MEMORY button.
 - In this example, "103.25 MHz" FM station is preset on FM channel 9.
 - The number buttons on the remote control can be used to preset the station directly. In this example, press 9 after the step 2 above.

FM 103.25 MHz CH 9

5. Repeat steps above to add more preset stations.
 - When presetting a new station, the previous preset station is cleared.

Listening to preset stations

1. Press the TUNER/BAND button to select FM, AM.
2. Press the PRESET button to select the desired channel number. The selected channel number appears briefly.
 - The number buttons on the remote control can also be used.

To receive FM stereo broadcasts

"STEREO" appears when an FM stereo broadcast is received in the stereo mode.

Make sure that "MONO" is not displayed. If "MONO" appears, press the FM MODE button to turn the "MONO" indication off.

- If the signal from an FM stereo station is weak and reception is poor, press the FM MODE button to change to the MONO mode, "MONO" appears. The reception may be improved, but the sound will be monaural.

LISTENING TO OTHER SOURCES

1. Press the AUX button to select "AUX".
2. Follow the instructions supplied with the video/auxiliary equipment.

ADJUSTING THE CLOCK

1. Press the MEMORY button. The hours display blinks.

AM 12:00

2. Press the ◀◀/◀◀ or ▶▶/▶▶ button to set the hours.

PM 6:00

3. Press the MEMORY button.

PM 6:00

The minutes display blinks.

4. Press the ◀◀/◀◀ or ▶▶/▶▶ button to set the "minutes".

PM 6:30

5. Press the MEMORY button. The clock starts.

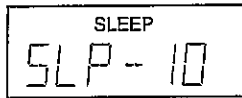
PM 6:30

- To display the clock during operation, press the MODE button briefly. After a few seconds, the original display returns. When the unit is power on mode, each time the MODE button is pressed, the display change as follows immediately:
Original display → Current time display → Original display → ...
- If a power failure occurs or the mains lead is disconnected, the clock display blinks. Reset the time again.

SLEEP TIMER OPERATION

Using the sleep timer (Remote control only)

Press the SLEEP button. A preset time and "SLEEP" appear on display.



Each time the SLEEP button is pressed, there is a different preset time appears on display, there are 9 time periods available: 10, 20, 30, 40, 50, 60, 70, 80 and 90 minutes. The timer automatically switches off the power after a preset time has elapsed.

To release the sleep. Press the SLEEP button repeatedly until "00" appears, "SLEEP" disappears on the display.

MAINTENANCE

Cleaning the CD player lens

The lens should never be touched.

If dust is on the lens, blow it off using a camera lens blower (Fig. 9).
(Consult your dealer.)

Cleaning the unit

Clean the outside of the unit with a clean soft cloth, moistened with lukewarm water. Do not use benzene, thinner or alcohol since they will mar the finish of the surfaces.

SPECIFICATIONS

Tuner

Reception frequency:
FM: 87.5 - 108 MHz
AM: 522 - 1710 kHz (9 kHz steps)
520 - 1710 kHz (10 kHz steps)

CD player

Channels:
2-channel stereo
Sampling frequency:
44.1 kHz
Pick-up:
Optical 3-beam semiconductor laser
Laser output:
0.6 mW (Continuous wave max.)
Wave length:
790 nm
Wow/flutter:
Below measurable limits

General

Output power:
10 W x 2 (at 4 ohms, 10% distortion)
Outputs:
SPEAKERS: 4 ohms
PHONES: 8 - 32 ohms

Power requirements:
AC 230 - 240 V, 50 Hz

Power consumption:
50 W

Dimensions:
265(W) x 81(H) x 272(D) mm

Weight:
2.7 kg

Speaker systems

Type:
2 way bass reflex

Unit used:
Woofer: 8 cm cone type
Tweeter: 2.5 cm balanced

Maximum power-handling capacity:
20 W (peak)

Nominal impedance:
4 ohms

Dimensions:
110(W) x 241(H) x 205(D) mm

Weight:
1.7 kg (per speaker)

Specifications subject to change without notice.

The SANYO logo consists of the word "SANYO" in a bold, sans-serif font. The letter "A" is stylized with vertical lines passing through it.

SANYO Electric Co., Ltd.
Printed in China