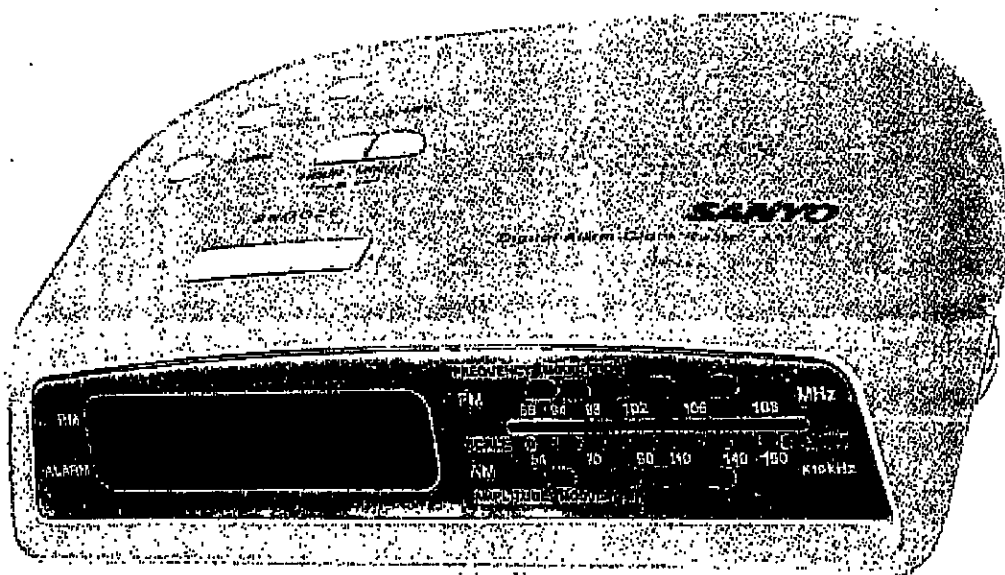


SANYO

RM-6015S AM/FM SINGLE ALARM CLOCK RADIO

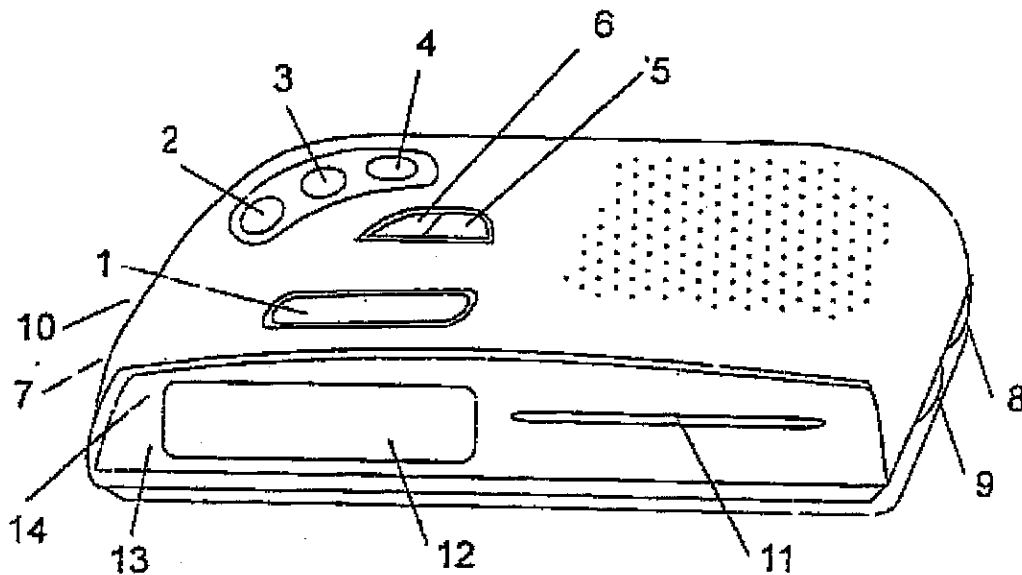
31



INSTRUCTION MANUAL

Location of Controls

- | | |
|----------------------|-----------------------|
| 1. Snooze Button | 8. Volume Control |
| 2. Alarm Set Button | 9. Tuning Control |
| 3. Sleep Button | 10. Function Selector |
| 4. Time Set Button | 11. Tuning Scale |
| 5. Minute Button | 12. LED Display |
| 6. Hour Button | 13. Alarm Indicator |
| 7. Waveband Selector | 14. PM Indicator |



MAINS SUPPLY

This unit is designed to operate from AC 230V 50Hz household mains supply.

WARNING. — To prevent fire or shock hazard, do not expose this appliance to rain or moisture. Always remove mains plug from wall socket when not in use, or before carrying out any servicing.

There are no user-serviceable parts inside. Refer servicing to qualified service personnel. Never remove covers unless qualified to do so; this unit contains dangerous voltages.

The Rating Labels are located on the base of this unit.

Battery Installation

This unit is fitted with a battery back-up facility which enables the clock to continue keeping time after a mains power failure. The battery is housed in the base of the unit and should be replaced once a year. Remove the battery compartment cover and insert a 9 volt MN1604 alkaline battery (or PP3 equivalent). Replace the battery cover. Now, plug the unit into the wall socket and switch on the power.

NOTE: The Battery Back-up facility will not provide sufficient power to set off the buzzer or radio in the event of a protracted power cut.

WARNING: Weak batteries can leak and severely damage the unit. Always remove batteries immediately they become weak, or if the unit is not to be used for a long time.

Operating the Radio

1. Set the Function Selector (10) to the ON position.
2. Select the required waveband with Waveband Selector (7), located on the side of the unit.
3. Tune to the required station by rotating the TUNING control (9).
4. Adjust the VOLUME control (8) to the desired level.
5. Switch the radio off after use by switching the Function Selector (10) to the OFF position.

Aerials

There is a built-in ferrite rod aerial for AM radio reception. This aerial is slightly directional, so rotate the unit slightly, each way, to obtain best possible reception.

There is a wire FM aerial attached to the unit near the mains lead. This can be altered in its position for best possible reception on FM.

Setting the Time

1. Plug the unit into the wall socket and switch on the power.
2. The display will flash on and off.
3. Depress the TIME button (4) and HOUR button (6) together until the desired hour is displayed.
4. Depress the TIME button (4) and the MINUTE button (5). Release when the desired MINUTE is displayed.

SECONDS FEATURE

1. Press SLEEP button (3) and HOLD.
2. While HOLDING SLEEP button (3) press the ALARM button (2) MINUTE AND SECONDS will appear.
3. If you wish to adjust to accurate Time still hold the SLEEP button (3) or ALARM button (2) and press the HOUR button (6).
If seconds are below "30", time will return to the displayed minute and "00" seconds.
If seconds are "30" or above, time will advance to the next minute and "00" seconds.
4. If you wish to hold the displayed time, still hold the SLEEP button (3) or ALARM button (2) and press the MINUTE button (5).

Setting the Alarm Time

1. Depress the ALARM button (2) and the HOUR button (6) together until the alarm hour is displayed.
2. Depress the ALARM button (2) and the MINUTE button (5). Release when the desired MINUTE is displayed.

Using the Alarm

Once the alarm time has been set you may choose to wake to either RADIO or a BUZZER alarm.

To wake to the radio:—

1. Set the Function Selector (10) to the ON position and tune the radio to the desired station at a comfortable volume.
2. Set the Function Selector (10) to the RADIO position. The radio will now switch on at the selected alarm time and switch off 1hr. 59min. later.
3. Switch off the alarm by pressing the ALARM button (2) or switching the Function Selector (10) to the OFF position.

To wake to the BUZZER:—

1. Set the Function Selector (10) to the BUZZ position and the buzzer will sound automatically at the selected alarm time.
2. Switch off the alarm by pressing the ALARM button (2) or switching the Function Selector (10) to the OFF position.

Alarm Mode Indicator

An LED will glow in the lower left hand corner of the display; indicating when the ALARM is set.

SNOOZE

When the Alarm sounds you may press the SNOOZE button (1) to stop the alarm. However, if this function is used the alarm will sound again after approx. 9 mins. This feature is repeated up to twelve times. If the ALARM button is pressed, the alarm will switch off and, so long as it remains set, come on again 24 hours later.

SLEEP

This Clock Radio Alarm has a SLEEP facility which enables you to listen to the radio for up to 59 mins. before it automatically cuts out. To set the desired delay time proceed as follows:—

1. Press the SLEEP button (3) and the MINUTE button (5) together. The radio will immediately switch on and the display will count down from 59 to 0, each number representing the desired sleep time in minutes. Release the buttons when the desired sleep time is displayed. (See NOTE below).
2. To activate an extended sleep time, press the SLEEP button (3), the HOUR button (6) and the MINUTE button (5) simultaneously, the radio will switch on and the display will count down from 1hr. 59mins. Release the buttons when the desired sleep time is displayed. (See NOTE below).
3. The radio may be turned off at any time during the selected period by pressing the SNOOZE button (1).

NOTE: In order to avoid affecting the current time setting when adjusting the sleep time, always remember to release the Hour or Minute buttons before releasing the sleep button.

Nominal Specifications

Power Supply:	AC 240V 50Hz
Battery Back-up:	9 volt PP3 battery or equivalent
Frequency Range:	FM 88 – 108 MHz AM 535 – 1605 KHz

Because we continually strive to improve our products we reserve the right to change specification without prior notice.



Sanyo Australia Pty Ltd Inc in Victoria

Personal Records

Model No _____ Serial No _____ Retailers Name _____

Original Buying Date _____ Suburb/Town/City _____

Sanyo

Sydney 211 Walters Rd Ardell Pk NSW 2148 Ph (02) 8825 2822	Brisbane 1/17 Mayneview St Milton 4064 Ph (07) 3367 0799	Adelaide 219 Gouger Street ADELAIDE SA 5000 Ph (08) 8410 3277	Perth Unit 5/177 Bannister Rd Canning Vale 6155 P.O.Box 129 Cloverdale Ph (08) 9456 1682	Melbourne 370 Whitehorse Road NUNAWADING VIC 3 Ph (03) 9875 4444
---	--	---	---	--

Sanyo Regional Repairers

Newcastle Dadnj Electronics 17 Arnott St Newcastle West 2302 Ph (02) 4929 5197	ACT Santronics 15 Kembla St Fyshwick 2609 Ph (02) 6280 6422	Wollongong Electronic Services 208 Corimal St Wollongong 2500 Ph (02) 4227 3233	Townsville TV & Audio Service Ctre 53 Thuringowa Dve Kirwan 4814 Ph (02) 7773 4433
---	--	--	---

For Further Sanyo repairers and Sanyo office automation dealers
Please ask your closest Sanyo office

SANYO WARRANTY

You will keep your Sanyo warranty if you provide proof of original buying date when requesting service for your product bought both in Australia and Overseas.

OTHER RIGHTS

Your express and implied rights and remedies under the Trade Practices Act and other laws are different to your Sanyo warranty benefits.

SANYO WARRANTY

Except for the clauses below, Sanyo will repair (or at its option replace) any part of your Sanyo product which in its or its repairer's opinion needs repair or replacement because of manufacture or parts during the 6 months commencing from your products original buying date.

HOW TO CLAIM YOUR SANYO WARRANTY

- Please provide proof of original buying date when requesting Sanyo warranty service - for your product bought both in Australia and overseas.
- Please install and use your product in accordance with instructions on your product or in your operating manual

PLACE AND TIME OF SERVICE

Please take or send your product (at your cost and risk) to and from Sanyo or its repairer. If you send your product and/or leave it with or it is taken by Sanyo or its repairer you are wise to insure it for both the sending and return journey.

Sanyo service hours are only Monday to Friday (excluding public holidays) 8.30 am to 4.30pm

Services for which you may be asked to pay at the then current rates

Repairs needed because of

- cockroach or other insect or mice damage
- leaking batteries
- accident, misuse, negligence or tampering with
- use other than in accordance with instructions on your product or in your operating manual
- lightning strikes
- salt built up or rust or corrosion if you live near the ocean or in a high humidity area.
- repairs or attempted repairs by anyone other than Sanyo or its repairer or office automation dealer
- use of the product on voltage other than that specified for your product.
- repairs to your product if bought at auction

