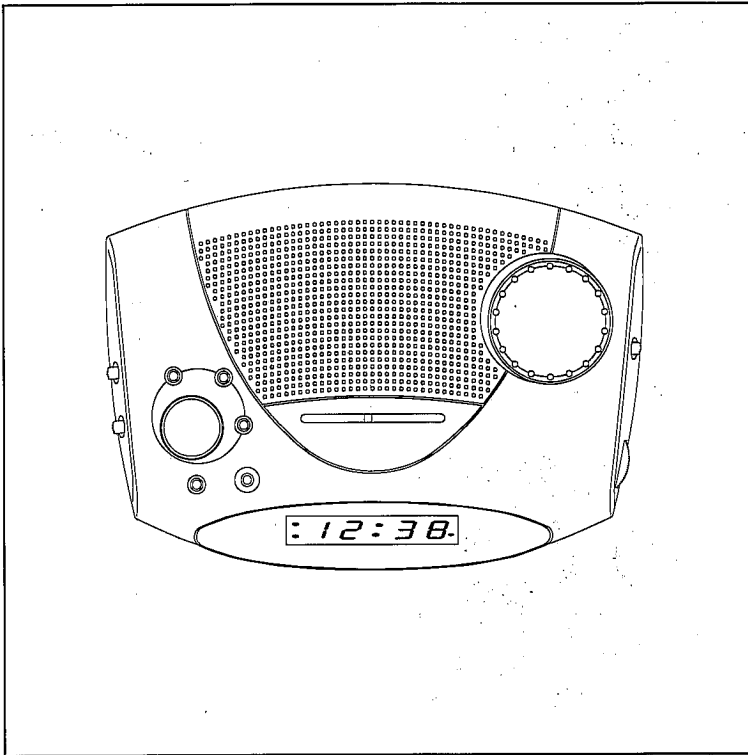


# SANYO

## RM 6025S

### AM / FM DUAL ALARM CLOCK RADIO



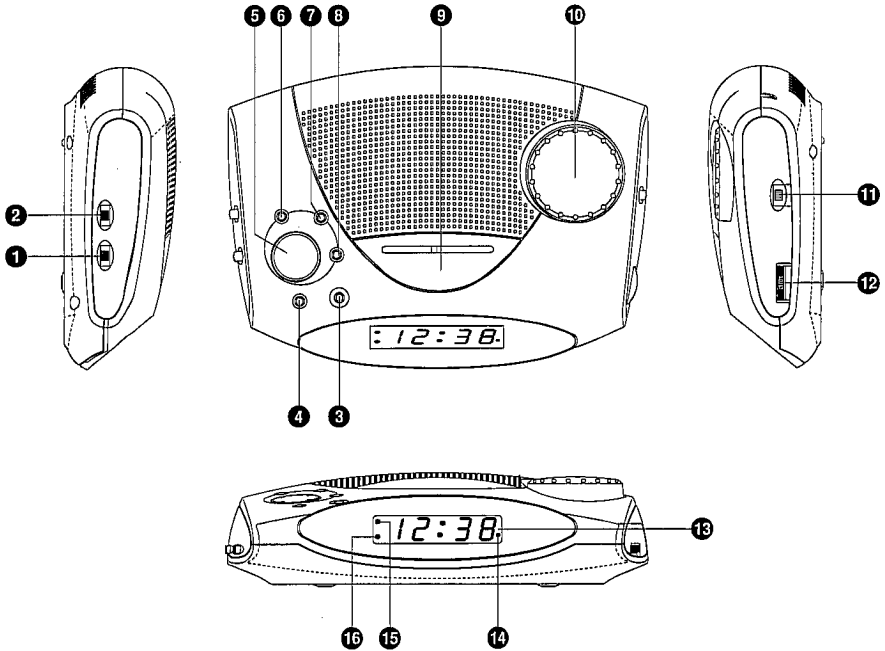
#### **SAFETY**

To avoid the risk of electric shock, do not remove the cover of the unit. There is no user serviceable part inside. To prevent fire or shock hazard do not expose this product to rain or moisture.

## OPERATING ELEMENTS AND FUNCTIONS

1. **ALARM 1 mode** : Alarm 1 mode selector.  
**off** = alarm 1 off  
**radio** = radio alarm1 on  
**buzz** = buzzer alarm 1 on
2. **ALARM 2 mode** : Alarm 2 mode selector.  
**off** = alarm 2 off  
**radio** = radio alarm 2 on  
**buzz** = buzzer alarm 2 on
3. **ON button** : To turn the radio on.
4. **OFF button** : To turn the radio / sleep / alarm off.
5. **▶ / ▶▶ / ◀ / ◀◀** : To set forward slowly.  
To set forward rapidly.  
To set backward slowly.  
To set backward rapidly.
6. **TIME button** : To set the time.
7. **ALARM SET button** : To set the alarm times.
8. **SLEEP button** : To set the sleep time (max 59 minutes).
9. **SNOOZE** : To stop radio or buzzer alarm temporarily for
10. **TUNING control** : To select radio stations.
11. **FM AM selector** : To select radio band.
12. **VOLUME control** : To adjust the volume level.
13. **Clock display** : To display time / alarm time.
14. **PM indicator** : A dot to indicate the time shown is in PM.
15. **🔔 1 indicator** : A dot to indicate the alarm 1 is set to activate.
16. **🔔 2 indicator** : A dot to indicate the alarm 2 is set to activate.

# OPERATING ELEMENTS AND FUNCTIONS





Sanyo Australia Pty Ltd Inc. In Victoria

**Personal Records**

Model No \_\_\_\_\_ Serial No \_\_\_\_\_ Retailers Name \_\_\_\_\_

Original Buying Date \_\_\_\_\_ Suburb/Town/City \_\_\_\_\_

**Sanyo**

**1 300 728 748**

Queensland, Victoria, Tasmania, South Australia, Northern Territory, Western Australia.

**1 300 360 230**

New South Wales, Australian Capital Territory.

**(02) 8825 2960**

Sydney - 211 Walters Road, Arndell Park, 2148.

**0508 425 425**

New Zealand

**Sanyo Regional Repairers**

**Newcastle**

Dadnj Electronics

17 Arnott St

Newcastle West 2302

**Ph (049) 29 5197**

**ACT**

Santronics

15 Kembra St

Fyshwick 2609

**Ph (06) 280 6422**

**Wollongong**

Electronic Services

208 Corrimal St

Wollongong 2500

**Ph (042) 27 3233**

**Townsville**

TV & Audio Service Centre

53 Thuringowa Dve

Kirwan 4814

**Ph (077) 73 4433**

## BASE OF UNIT

Wire Antenna : For FM reception.

Battery Compartment : To hold the back up battery.

## MAINS POWER

The unit operates with 230 - 240V AC, 50 Hz only.

If the mains power is connected for the first time or after a power failure the time display will flash unless a reserve power battery has been inserted in the battery compartment. The flashing display means that the time and alarm time must be checked and reset if necessary. The display stops flashing when the time is set. Should the unit not be used for prolonged periods of time, it is recommended that the unit be disconnected from mains power. (unplug AC power cord).

## STANDBY BATTERY - MAINS FAILURE

1. Insert 1 X 9V battery (IEC 6F22 / 006P / PP3 or equivalent) into the battery compartment.
2. Insert the battery only after the unit has been connected to the mains in order to prevent unnecessary drain. We recommend that the battery is replaced after approx. 1 year. The use of alkaline battery to minimize battery leakage is strongly recommended.
3. If the clock radio is to be disconnected for a long period, the standby battery should be removed.

### Note :

- If a standby battery is fitted, the clock will continue to run and the alarm setting will be retained during mains failure. However, the display will not be illuminated.

## SETTING THE TIME

1. Press and hold down the **TIME** button.
2. Adjust the time by press down either one of the ► / ►► / ◀ / ◀◀ buttons.

## **SANYO WARRANTY**

You will keep your Sanyo warranty if you provide proof of original buying date when requesting service for your product bought in Australia.

### **OTHER RIGHTS**

Your Sanyo warranty benefits are additional to your rights under the Trade Practices Act and other laws.

### **SANYO WARRANTY**

Except for the clauses below, Sanyo will repair (or at its option replace) any part of your Sanyo product which in its or its repairer's opinion needs repair or replacement because of manufacture or parts during the 6 months commencing from your products original buying date.

### **HOW TO CLAIM YOUR SANYO WARRANTY**

- Please provide proof of original buying date when requesting Sanyo warranty service- for your product bought in Australia.
- Please install and use your product in accordance with instructions on your product or in your operating manual.

### **Repairs needed because of**

- cockroach or other insect or mice damage
- leaking batteries
- accident, misuse, negligence or tampering with
- use other than in accordance with instructions on your product or in your operating manual
- lightning strikes
- salt built up or rust or corrosion if you live near the ocean or in a high humidity area.
- repairs or attempted repairs by anyone other than Sanyo or its repairer or office automation dealer.
- use of the product on voltage other than that specified for your product.
- repairs to your product if bought at auction

**SANYO**

3. Release the buttons when the desired time is reached. The clock will start to run.
4. The **PM** indicator lights when the clock is reading PM time. It will not light during AM time. Use it to set the clock to the correct part of day.

**Note :**

- Ensure to release the ► / ►► / ◀ / ◀◀ button before the **TIME** button so that the time does not advance unexpectedly.

## **RADIO OPERATION**

### **TUNE INTO A RADIO STATION**

1. Press the **ON** button.
2. Select the desired radio band with the band selector, **FM AM**.
3. Rotate the **TUNING** control to select the desired station.
4. Adjust the **VOLUME** control to the desired listening level.
5. To turn the radio off, press the **OFF** button.


### **AERIALS**

There is a ferrite bar built inside the unit for receiving AM broadcasts. As for FM broadcasts fully extend the wire antenna at the back of the unit for optimum FM reception.

## **ALARM OPERATION**

The clock radio has two types of alarm. It can be activated by either the radio or buzzer.

### **SETTING THE ALARM 1 TIME**

1. Slide the **ALARM 1** mode selector to the **radio** or **buzz** position. The alarm 1 indicator  1 will lit.
2. Slide the **ALARM 2** mode selector to the **off** position.

## GENERAL

### ENVIRONMENTAL PROTECTION

Do not throw exhausted batteries into the household refuse. Hand them to the dealer or public collecting points when buying new ones.

### HOUSING PROTECTION

1. Only a soft cloth which picks up dust should be used to clean the cabinet. Do not use aggressive polishes or cleaning agents.
2. Do not expose the unit to moisture.
3. Do not expose the unit to high temperatures (e.g. direct sunlight, heater)

## TECHNICAL SPECIFICATION

Operating Voltage : AC 230 - 240V, 50 Hz  
DC 9V, type IEC 6F22/006P/PP3 (for clock back up)

Frequency Range : FM 88 - 108 MHz  
AM 525 - 1605 KHz

I. F Frequency : FM 10.7 MHz  
AM 455 KHz

Power Output : 500 mW


Dimension : 224 (L) X 160 (W) X 58 (H) mm approx.

Weight : 770g approx.



3. Press and hold down the **ALARM SET** button.
4. Adjust the alarm time by press down either one of the ► / ►► / ◀ / ◀◀ buttons.
5. Release the buttons when the desired time is reached.

### SETTING THE ALARM 2 TIME

1. Slide the **ALARM 2** mode selector to the **radio** or **buzz** position. The alarm 2 indicator  2 will lit.
2. Slide the **ALARM 1** mode selector to the **off** position.
3. Press and hold down the **ALARM SET** button.
4. Adjust the alarm time by press down either one of the ► / ►► / ◀ / ◀◀ buttons.
5. Release the buttons when the desired time is reached.

#### Note :

- Ensure that you release the ► / ►► / ◀ / ◀◀ button before the **ALARM SET** button so that the alarm time does not advance unexpectedly.
- Check the **PM** indicator to make sure you have set to the correct part of the day.

### RADIO ALARM

1. Slide the **ALARM 1** mode or **ALARM 2** mode or both selectors to the **radio** position.
2. At the pre-selected alarm time(s) the radio will turn on automatically.
3. To turn the radio alarm off, press the **OFF** button once or it will turn off automatically after 59 minutes.

### BUZZER ALARM

1. Slide the **ALARM 1** mode or **ALARM 2** mode or both selectors to the **buzz** position.
2. At the pre-selected alarm time(s) the buzzer will turn on automatically.
3. To turn the buzzer alarm off, press the **OFF** button once or it will turn off automatically after 59 minutes.

**Note :**

- If only one alarm is required, set the other alarm mode selector to the **off** position.
- The two buzzer alarm for alarm 1 and alarm 2 are differ in tone.

**SNOOZE ALARM**

This function will stop the alarm sound temporarily.

1. When the radio alarm or buzzer alarm is activated, press the **SNOOZE** button once.
2. After 6 minutes the alarm will activate again.
3. It is possible to interrupt the alarm function several times during the switch-on period.

**SWITCHING OFF THE ALARM**

1. When the radio alarm or buzzer alarm is turned on, pressing the **OFF** button once will turn the alarm off.
2. The alarm function remains set to operate the next day.
3. To switch the alarm(s) off completely set the **ALARM 1** and / or **ALARM 2** mode selector(s) to the **off** position.

**SLEEP**

The radio can be set up to play for a duration of 1 to 59 minutes.

1. Press the **SLEEP** button once and '59' minutes will be displayed. The radio will now be on for 59 minutes then turn off automatically.
2. For a shorter sleep time hold down the **SLEEP** button and it will count down from 59 to 0. Release the button when the desired sleep time is reached.
3. To terminate the sleep function prematurely, press the **OFF** button.