

**SANYO**

RM-X105 **AU**

INSTRUCTION MANUAL

Clock Radio



**SANYO**

SANYO Electric Co., Ltd  
Made in China

## **FOR SAFE AND EFFICIENT OPERATION**

CAUTION: TO REDUCE THE RISK OF ELECTRIC SHOCK, DO NOT REMOVE COVER (OR BOTTOM, NO USER-SERVICEABLE) PARTS INSIDE. REFER SERVICING TO QUALIFIED SERVICE PERSONNEL.

DANGEROUS VOLTAGE – UNINSULATED DANGEROUS VOLTAGE THAT MAY BE OF SUFFICIENT MAGNITUDE TO CONSTITUTE A RISK OF ELECTRIC SHOCK TO PERSONS WITHIN THIS PRODUCTS ENCLOSURE.

WARNING – TO PREVENT FIRE OR SHOCK HAZARD, DO NOT EXPOSE THIS UNIT TO PAIN OR MOISTURE.

IMPORTANT NOTES

AVOID INSTALLING THE UNIT IN LOCATIONS DESCRIBED BELOW.

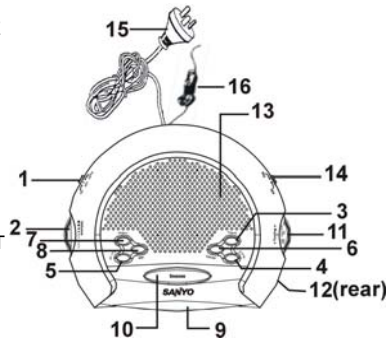
- PLACES EXPOSED TO DIRECT SUNLIGHT OR CLOSE TO HEAT RADIATING APPLIANCES SUCH AS ELECTRIC HEATER.
- ON TOP OF OTHER STEREO EQUIPMENT THAT RADIATES TOO MUCH HEAT.
- PLACES LACKING VENTILATION OR DUSTY PLACES.
- PLACES SUBJECT TO CONSTANT VIBRATION.
- HUMID OR MOIST PLACE.
- TAKE CARE NOT TO OBSTRUCT THE VENTILATION OPENINGS.
- OPERATE CONTROLS AND SWITCHES AS DESCRIBED IN THE MANUAL.
- BEFORE TURNING ON THE POWER FOR THE FIRST TIME, MAKE CERTAIN THE BATTERIES AND/OR POWER CORD ARE PROPERLY INSTALLED.
- NO NAKED FLAME SOURCES, SUCH AS LIGHTED CANDLES, SHOULD BE PLACED ON THE APPLIANCE;
- THE APPLIANCE SHALL NOT BE EXPOSED TO DRIPPING OR SPLASHING AND THAT NO OBJECTS FILLED WITH LIQUIDS, SUCH AS VASES, SHALL BE PLACED ON THE APPLIANCE;
- THE VENTILATION SHOULD NOT BE IMPEDED BY COVERING THE VENTILATION OPENINGS WITH ITEMS, SUCH AS NEWSPAPERS;
- THE MAINS PLUG SHALL REMAIN READILY OPERABLE.

## **POWER CONNECTION**

1. PLUG THE AC POWER CORD TO A HOUSEHOLD OUTLET. MAKE SURE THE VOLTAGE IS CORRECT (AC240V-VOLT, 50Hz) TO PREVENT POSSIBLE DAMAGES TO THE SET.
2. CONNECT ONE 9-VOLT BATTERY (NOT INCLUDE) TO THE BATTERY TERMINALS IN THE BATTERY COMPARTMENT (UNDERSIDE OF THE CABINET). IT MAINTAINS THE CLOCK TO FUNCTION EVEN IF THE AC POWER IS INTERRUPTED.
3. PLEASE NOTE: THE DISPLAY WILL NOT EXHIBIT TIME DURING POWER FAILURE BUT THE CLOCK WILL KEEP CORRECT TIME.

## DESCRIPTION

1. AUTO-OFF-ON
2. VOLUME CONTROL/BUZZ
3. TIME SET
4. ALARM SET
5. ALARM OFF
6. SLEEP SET
7. HOUR SET
8. MINUTE SET
9. CLOCK DISPLAY
10. SNOOZE
11. TUNING
12. BATTERY COMPARTMENT
13. SPEAKER
14. BAND SWITCH
15. AC POWER CORD
16. FM ANTENNA WIRE



## CONNECTING THE RADIO

PLUG THE AC CORD INTO THE POWER OUTLET. WHEN ELECTRICAL POWER HAS BEEN INTERRUPTED AND RESTORED, THE CLOCK DISPLAY WILL BLINK. MAKE SURE TO RESET BOTH THE CORRECT TIME AND ALARM TIME FOR PROPER OPERATION.

## TIME SETTING

PRESS AND HOLD THE TIME SET (3). PRESS THE MINUTE SET (8) OR HOUR SET (7) TO SET THE CLOCK DISPLAY TO THE CORRECT TIME. RELEASE THE TIME SET (3) AND MINUTE SET (8) OR HOUR SET (7) WHEN FINISHED THE SETTING.

## RADIO OPERATION

SLIDE THE AUTO-OFF-ON (1) TO "ON". SELECT THE DESIRED BAND WITH THE BAND SWITCH (14). ADJUST TUNING (11) AND VOLUME (2) FOR THE DESIRED STATION AND LISTENING LEVEL.

## SLEEP TO MUSIC

SLIDE THE AUTO-OFF-ON (1) TO EITHER "OFF" OR "AUTO". PRESS THE SLEEP SET (6) ONCE. YOU CAN HAVE 59 MINUTES PLAYING THE RADIO TO ACCOMPANY YOU TO SLEEP. TO SET FOR A DESIRED PERIOD OF SLEEP, SIMPLY PRESS AND HOLD SLEEP SET (6) AND THEN PRESS MINUTE SET (8) TO SET THE DESIRED PERIOD OF THE SLEEP FUNCTION. PRESS THE SLEEP SET (6) AND THE HOUR SET (7) SIMULTANEOUSLY FOR ONE HOUR AND 59 MINUTES SLEEP TIME. IF YOU WANT TO TURN OFF THE RADIO BEFORE SLEEP TIME HAS EXPIRED, PRESS SNOOZE BUTTON (10) ONCE.

## WAKE TO MUSIC

PRESS AND HOLD THE ALARM SET (4). PRESS THE HOUR SET (7) OR MINUTE SET (8) TO SET THE DESIRED WAKE UP TIME. RELEASE THE ALARM SET BUTTON (4) TO SHOW THE CURRENT TIME. SLIDE THE AUTO-OFF-ON (1) TO "AUTO". THE RADIO WILL PLAY AUTOMATICALLY AT THE PRESET TIME.

## WAKE TO BUZZER ALARM

FOLLOW THE STEPS OF "WAKE TO MUSIC" AND TURN OFF THE VOLUME. YOU WILL BE AWAKENED BY THE BUZZER ALARM. IF YOU WANT TO STOP THE ALARM, SWITCH AUTO-OFF-ON (1) TO "OFF" OR PRESS THE ALARM OFF (5) ONCE.

## SNOOZE OPERATION

WHEN THE ALARM IS ON, PRESS SNOOZE (10) ONCE. AFTER 9 MINUTES, THE ALARM WILL BE ON AGAIN.

## TO GO TO SLEEP AND WAKE TO MUSIC

REPEAT THE STEPS OF "WAKE TO MUSIC". PRESS SLEEP SET (6) TO SET FOR A DESIRED PERIOD OF RADIO PLAYING BEFORE SLEEP. THE RADIO WILL STOP AUTOMATICALLY AND WILL START AGAIN AT THE PRESET WAKE UP TIME.

## BATTERY BACKUP

THIS CLOCK HAS A BACKUP POWER SYSTEM TO ENSURE CONTINUOUS OPERATION DURING POWER FAILURE. INSERT ONE 9-VOLT BATTERY AND THE CLOCK MECHANISM WILL CONTINUE TO MAINTAIN THE CURRENT TIME AND ALARM PROGRAM.

## DRIPPING & VENTILATION WARNING

THE PRODUCT SHALL NOT BE EXPOSED TO DRIPPING OR SPLASHING AND THAT NO OBJECTS FILLED WITH LIQUIDS, SUCH AS VASES, SHALL BE PLACED ON THE PRODUCT. THE NORMAL VENTILATION OF THE PRODUCT SHALL NOT BE IMPEDED FOR INTENDED USE.

## TROUBLE SHOOTING

PROBLEM	SOLUTIONS
● IF THE UNIT IS COMPLETELY DEAD	<ul style="list-style-type: none"><li>● MAKE SURE THE AC CORD WAS PLUG INTO THE POWER OUTLET.</li> <li>● ENSURE THE AC CORD WAS NOT DAMAGE.</li></ul>
● IF THE RADIO CANNOT WORK PROPERLY	<ul style="list-style-type: none"><li>● PLEASE TRY TO PUT THE ANTENNA IN DIFFERENT POSITIONS.</li></ul>

## SPECIFICATIONS

- POWER SUPPLY: AC 240V-50Hz
- DC IEC6F22/006P/PP3 (1PC) FOR CLOCK BACK UP, BATTERY EXCLUDED.
- AC POWER CONSUMPTION: 3W
- AC OPERATION POWER: 2W
- FREQUENCY: FM: 87.5 – 108MHz  
AM: 522 – 1620KHz
- OUTPUT POWER: 250m WATT PER RMS
- UNIT SIZE: 127.5 x 104 x 53 mm (L x W x H)
- WEIGHT: 340 grams (Not including battery)