

SANYO

RP-X3A/AU

Instruction Manual

**AM/FM-Stereo Pocket Radio
with In-Ear Phones**

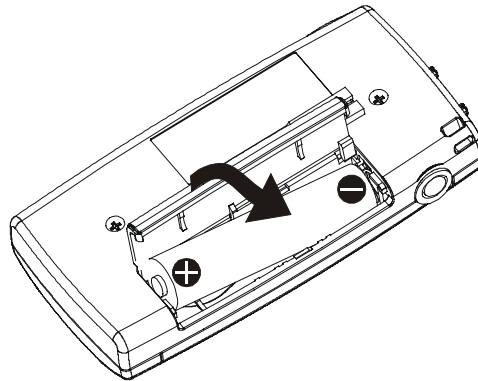
ENGLISH

INSTALLING A BATTERY

One AAA battery (not supplied)

Cautions:

- Match the polarity symbols (+ and -) marked inside the battery compartment.
- Always use a fresh battery of the required size.




If the unit is not to be used for a prolonged period, remove the batteries to avoid leakage. In the interest of environmental safety, dispose of batteries safely.

USING THE RADIO

POWER ON/OFF – switch to the power **ON** or **OFF**

BASS ON/OFF – switch to the **BASS ON** or **OFF**

 - for connecting the supplied earphones

VOLUME – rotate to adjust the volume. (see “Listening Safety”)

TUNING – rotate to select your favorite station.

AM/FM/FM ST – switch to the desired **AM** or **FM** or **FM ST** band.

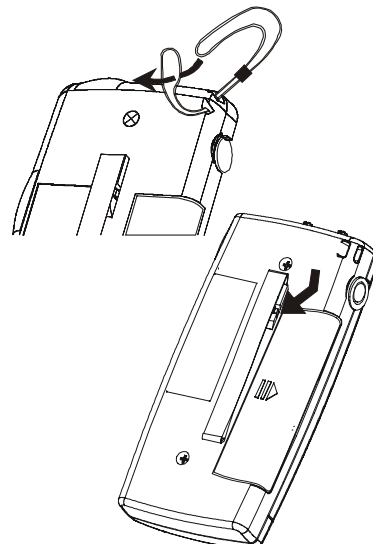
Hand Strap

(not supplied) –

– pass the narrow end of the strap through the strap lug and pass the other end through the loop.

Belt Clip (on the back of the radio) –

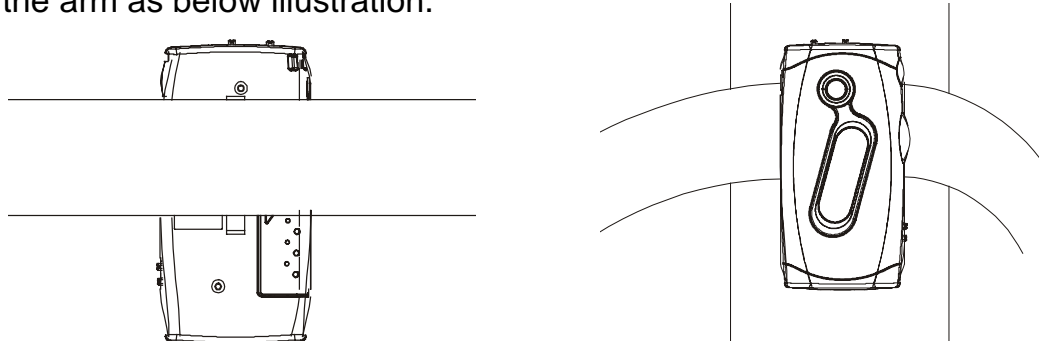
To remove the clip, press down in the slot under the clip and slide it in the opposite direction.



ENGLISH

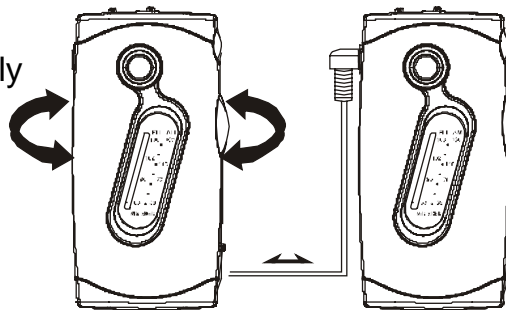
Using the Arm Strap

When you are listening to the radio, you can fix the radio on the arm strap(supplied). Simply put the radio into the hand strap, then wear on the arm as below illustration.



To improve the reception:

- For the best FM reception, fully uncoil the earphones' cord.
- The AM antenna is built-in. Move the radio to improve AM reception.



CAUTION

High volume levels can create potentially dangerous situations by drowning out surrounding sounds. Use cautiously when bicycling or jogging while operating the unit, and obey all applicable laws.

Do not play your earphones at a high volume. Hearing experts advise against continuous extended play. If you experience a ringing in your ears, reduce volume or discontinue use.

SPECIFICATION

Frequency Range	AM : 525-1610 kHz FM : 87.5-108 MHz
Intermediate Frequency	AM: 465 kHz (XE, UK) AM: 455 kHz (Others) FM : 10.7 MHz
Power Source	1 AAA Battery
Dimensions	83 x 43 x 22 mm
Weight (without battery and earphone)	43 g
Output Power (maximum)	5 mW
Headphone Impedance	32 Ohm
Included Accessories	Stereo Earphones Detachable Belt Clip Armband

SANYO

SANYO Electric Co., Ltd. Osaka, Japan