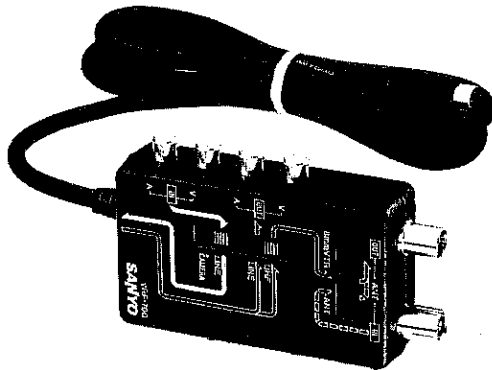
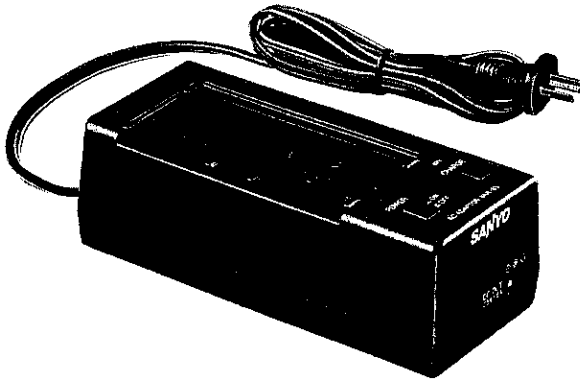


# SANYO

Instruction  
Manual

AC adaptor  
RF adaptor

VAR-33  
VRF-700



**CONGRATULATIONS.** You are now the owner of one of the many fine products manufactured by Sanyo Electric Co., a world-wide leader in electronics. We take pride in our international reputation for product quality and industry proven performance. This product has been carefully inspected to comply with rigid quality control standards before shipment to you. We are sure you will find that with reasonable care it will provide you with years of reliable performance.

Considering the investment you have made, we know that you will want to obtain the full performance capability engineered into your new Sanyo product. Therefore, may we recommend that you read this instruction manual thoroughly before attempting to operate this unit.

● **The VAR-33 AC adaptor can be used as follows:**

- ① to charge an NP-55 or NP-77 battery pack
- ② to supply power to the SANYO 8mm CAMCORDER (VM-D3P or VM-D5P)

**WARNING**

- TO PREVENT RISK OF FIRE OR ELECTRIC SHOCK, DO NOT EXPOSE THIS APPLIANCE TO RAIN OR MOISTURE.
- RETURN TO SUPPLIER FOR REPAIRS.
- SHOULD THE POWER SUPPLY CORD BECOME DAMAGED IT MUST BE REPLACED BY THE SPECIAL CORD PART NUMBER 6360204188 OR 6360209886.

**CONTENTS**

**VAR-33 AC ADAPTOR**

- CAUTIONS ..... 2
- TO CHARGE THE BATTERY PACK..... 3
- TO OPERATE THE 8MM CAMCORDER ..... 4
- SPECIFICATIONS ..... 5

**VRF-700 RF ADAPTOR**

- PARTS IDENTIFICATION ..... 6
- ACCESSORIES ..... 7
- SPECIFICATIONS ..... 7

# CAUTIONS(VAR-33)

## CHARGING

- Do not charge batteries other than the NP-55 or NP-77 battery pack with this AC adaptor.
- Battery pack should be completely installed in the AC adaptor before charging.

- Do not continuously recharge a charged battery pack as that will cause the battery pack efficiency to deteriorate.

- The temperature range for charging is 5°C to 35°C (41°F to 95°F).  
However, to provide maximum battery efficiency, the recommended temperature range when charging is 10°C to 30°C (50°F to 86°F).

## POWER CORD

- Unplug the unit from the wall (mains) outlet when not in use. To disconnect the cord (mains lead), pull it out by the plug. Never pull the cord itself.
- Do not operate the unit if it has been dropped or damaged or with a damaged cord.

## USAGE

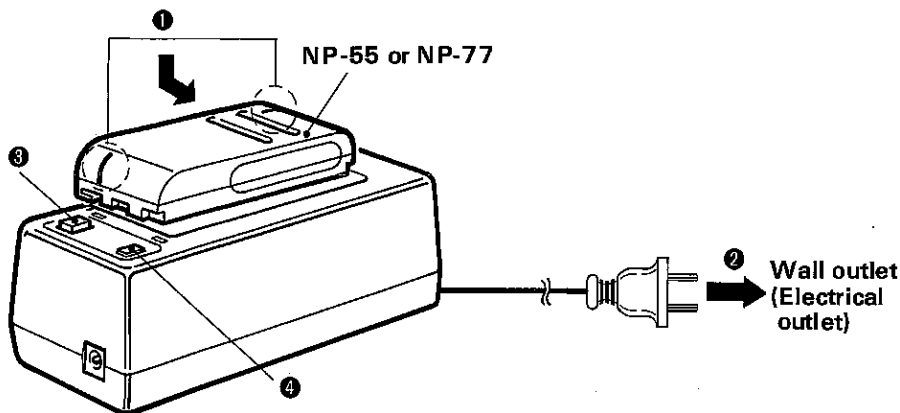
- Be sure that nothing metallic comes into contact with the metal parts of the connecting cord attached. If it does, a short may occur and the unit may be damaged.
- Do not disassemble or modify the unit.
- Do not apply mechanical shock or drop the unit.
- While the unit is in use, particularly during charging, keep it away from AM reception.
- Always keep the metal contacts clean.
- Do not place the unit in locations where it is;
  - Extremely hot or cold
  - Dusty or dirty
  - Very humid

# TO CHARGE THE BATTERY PACK

- This AC adaptor charges a NP-55 battery pack in about one hour, and a NP-77 in about two hours.
- ① Install the battery pack.  
Align the | marks, then while pressing it, slide the battery pack in the direction of the arrow.
  - ② Connect the power cord to a wall outlet.
  - ③ Depress the POWER button to turn on the unit. The POWER lamp (green) will light up.
  - ④ Press the CHARGE button.  
The CHARGE lamp (red) will light up and the charging will begin.
  - ⑤ When the charging is completed, the CHARGE lamp will change to yellow and the charging will stop.
  - ⑥ Depress the POWER button again to turn off the unit.
- To stop during charging  
Press the CHARGE button so that the CHARGE lamp goes out.

## NOTES

- The 8mm CAMCORDER cannot be operated during the charging.
- The battery pack will get hot during charging. But it is normal.

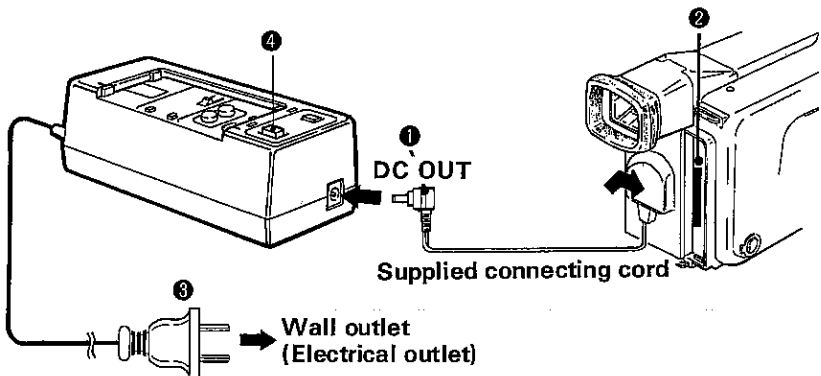


# TO OPERATE THE 8MM CAMCORDER

- Use the connecting cord supplied.
- 1 Insert the plug of the connecting cord to the DC OUT jack of the AC adaptor.
  - 2 Install the other side of the connecting cord to the rear of the 8mm CAMCORDER. Align the | mark, then while pressing it, slide the plate gently to the right.
  - 3 Connect the power cord to a wall outlet.
  - 4 Depress the POWER button. The POWER lamp (green) will light up and the unit will be turned on.
  - 5 Refer to the instruction manual for operating the 8mm CAMCORDER.
  - 6 After use, depress the POWER button again to turn off the unit.

## NOTES

- Never press the CHARGE button during the 8mm CAMCORDER operation. If you do, the recording or playback will be stopped.
- Keep the unit away from the 8mm CAMCORDER during the video operation. Otherwise the picture may be distorted.



# SPECIFICATIONS(VAR-33)

<b>Power requirements</b>	100-240VAC, 50/60Hz
<b>Power consumption</b>	24W
<b>Output voltage</b>	DC OUT: 7.5V, 1.6A in operating mode Battery charge terminal: 10V, 1.4A in charge mode
<b>Application</b>	SANYO Ni-Cad battery pack NP-55 or NP-77
<b>Operating temperature</b>	0°C to 40°C (32°F to 104°F)
<b>Storage Temperature</b>	-20°C to 60°C (-4°F to 140°F)
<b>Dimensions(approx.)</b>	64 × 54 × 145mm (w/h/d) (2 5/8 × 2 1/8 × 5 3/4 inches) including projecting parts and controls
<b>Weight(approx.)</b>	480g (17 OZ)
<b>Supplied accessory</b>	Connecting cord (1)

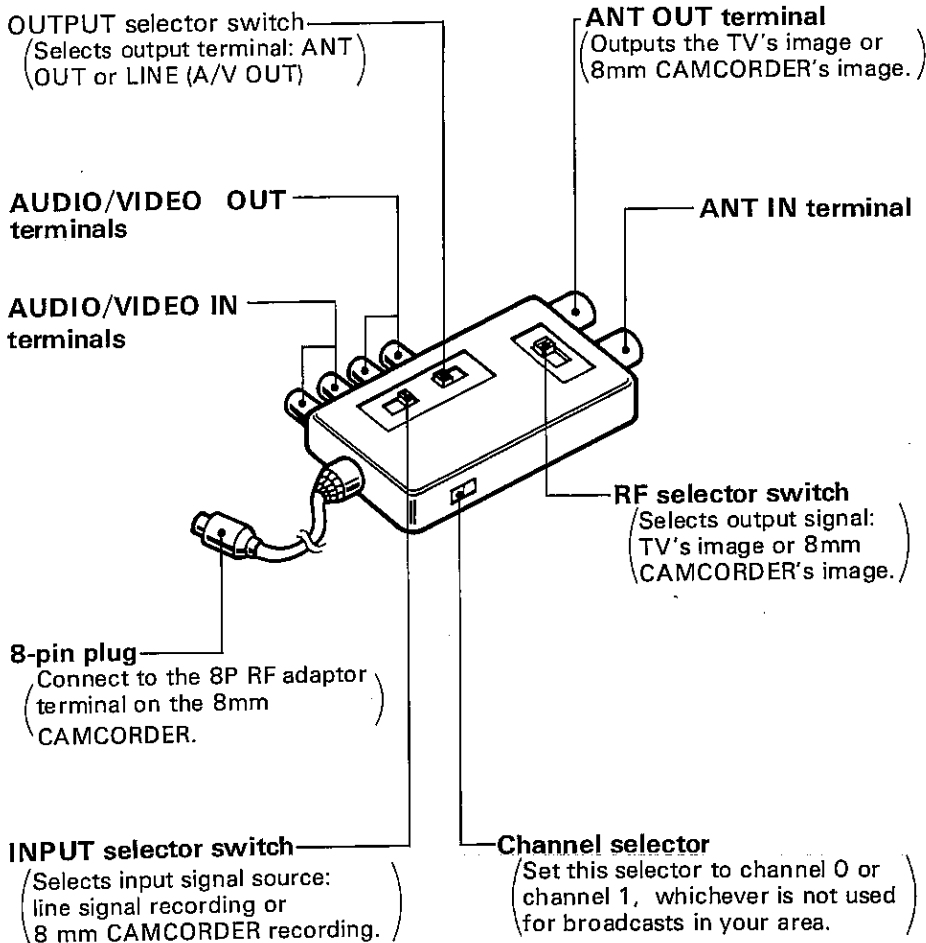
Specifications and design are subject to change without notice.

# VRF-700 RF ADAPTOR

- The VRF-700 RF adaptor can be used as follows:

With this RF adaptor connected to the SANYO 8mm CAMCORDER (VM-D1P or VM-D5P), playback can be viewed on a TV set, and recordings of external sources can be made.

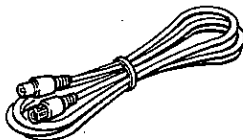
## PARTS IDENTIFICATION



# VRF-700 RF ADAPTOR

## ACCESSORY

- 75-ohm coaxial cable



## SPECIFICATIONS

External dimensions	56 × 25 × 95mm (w×h×d) (not including projecting parts)
Weight (approx.)	200g

**SANYO**

2AG6P10A08300  
ER5P/A(0788SY)  
636 021 6921