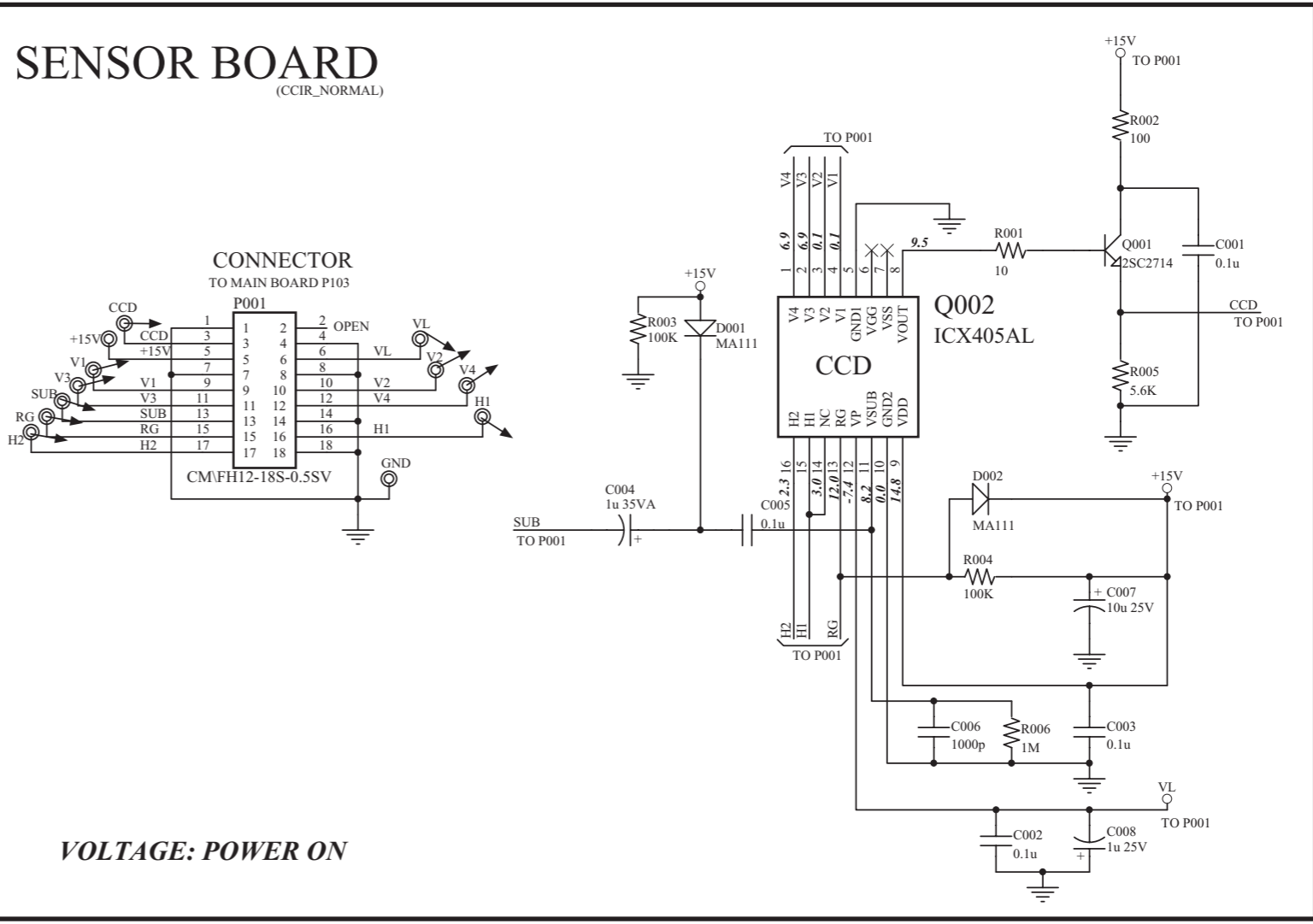
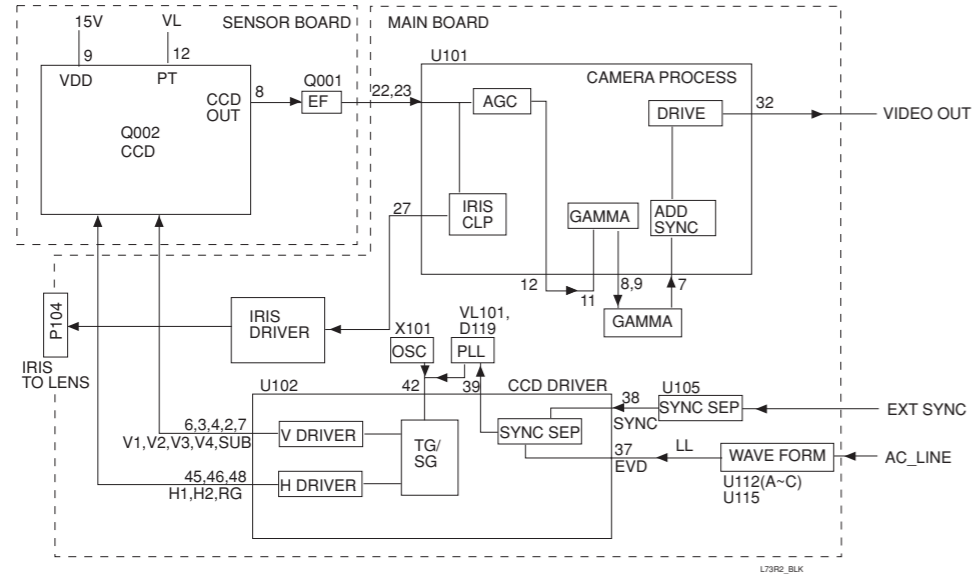


BLOCK DIAGRAMS & CIRCUIT DIAGRAMS

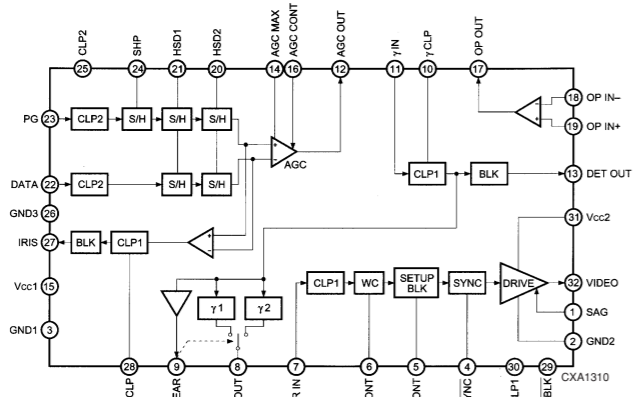
SENSOR BOARD CIRCUIT

OVERALL BLOCK

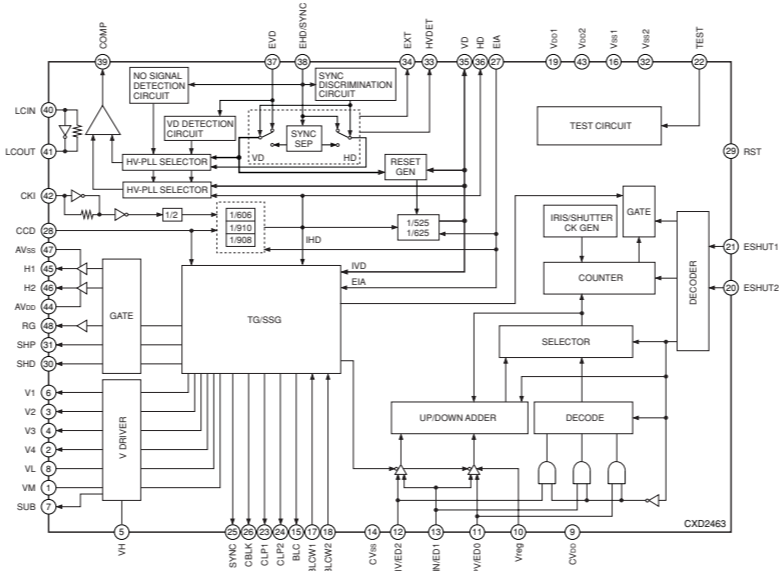


VOLTAGE: POWER ON

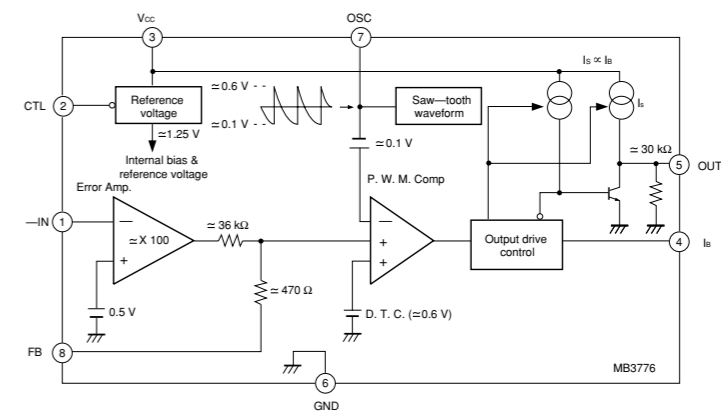
U101 BLOCK (CXA1310)



U102 BLOCK (CXD2463)

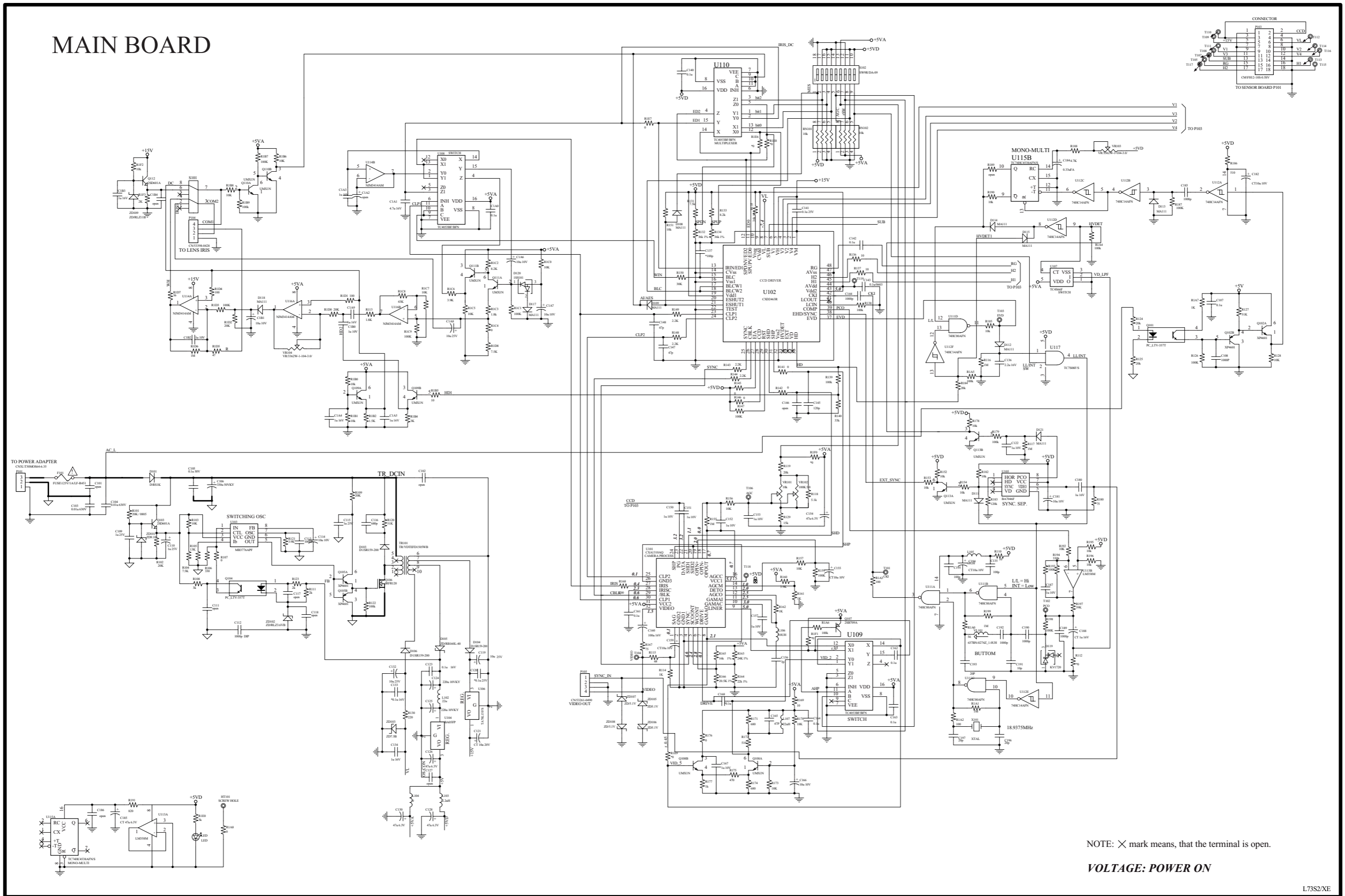


U103 BLOCK (MB3776)



MAIN BOARD CIRCUIT

MAIN BOARD



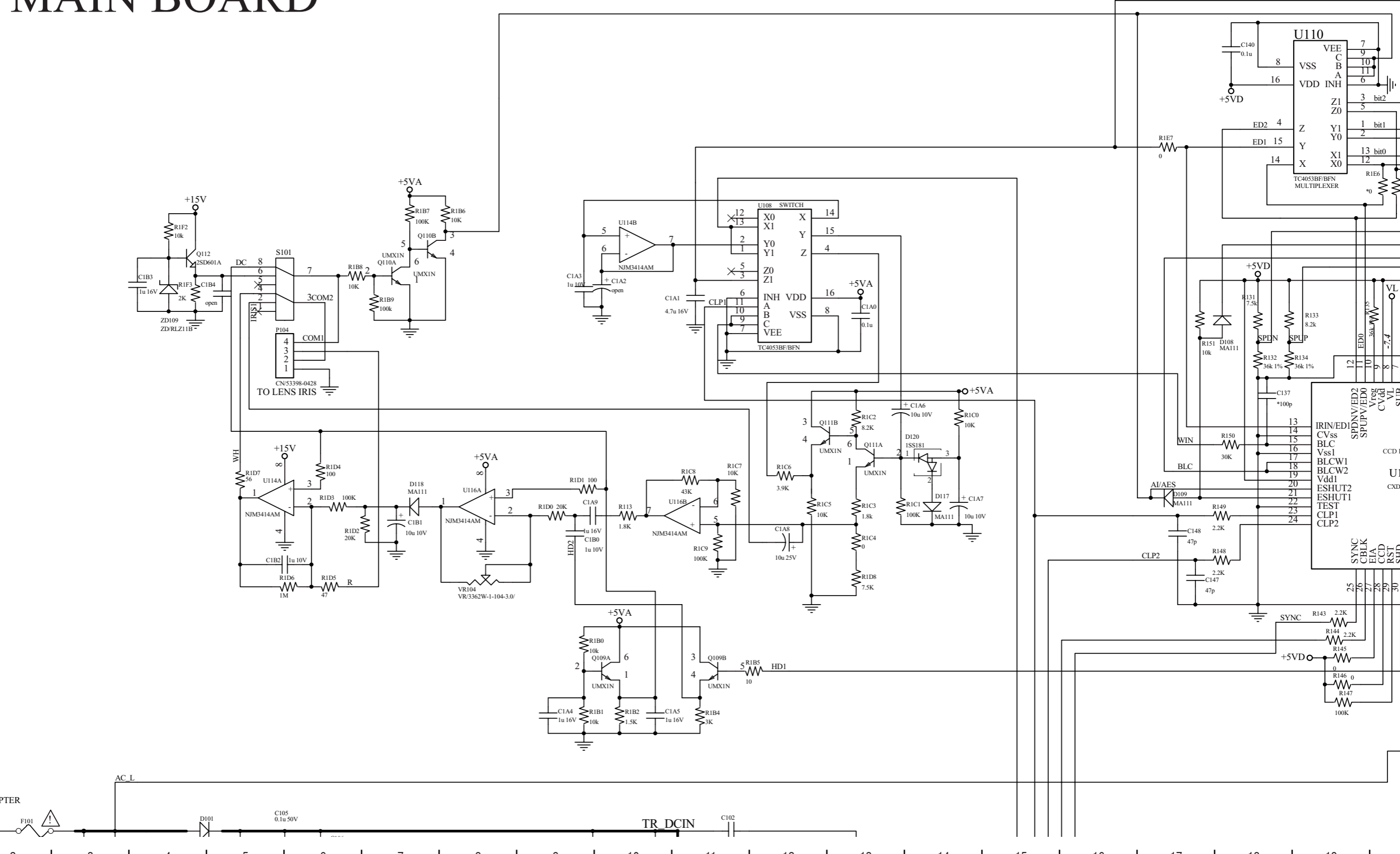
NOTE: X mark means, that the terminal is open.

VOLTAGE: POWER ON

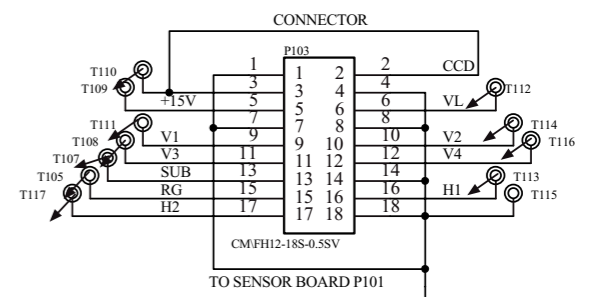
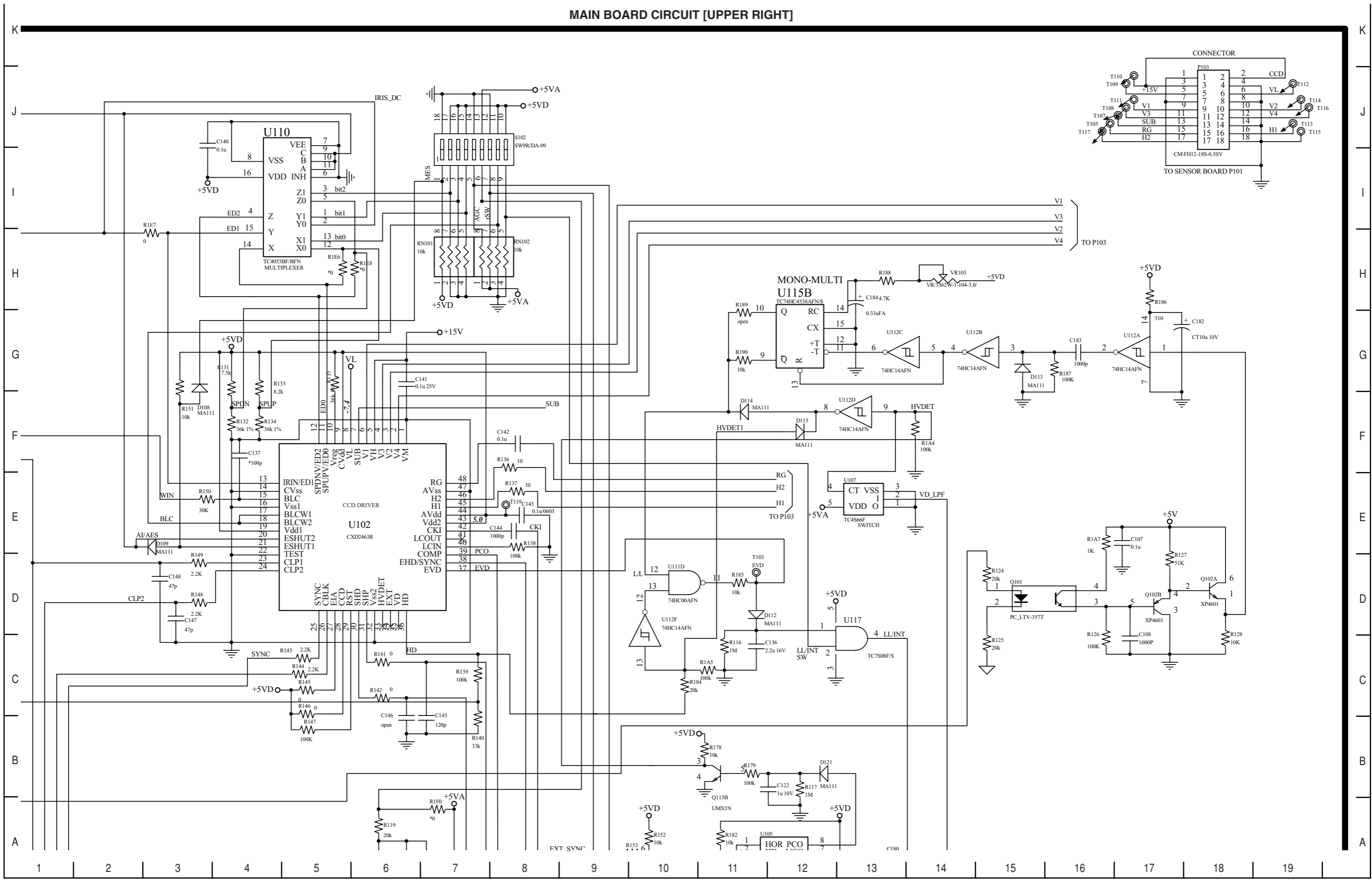
L73S2XE

MAIN BOARD

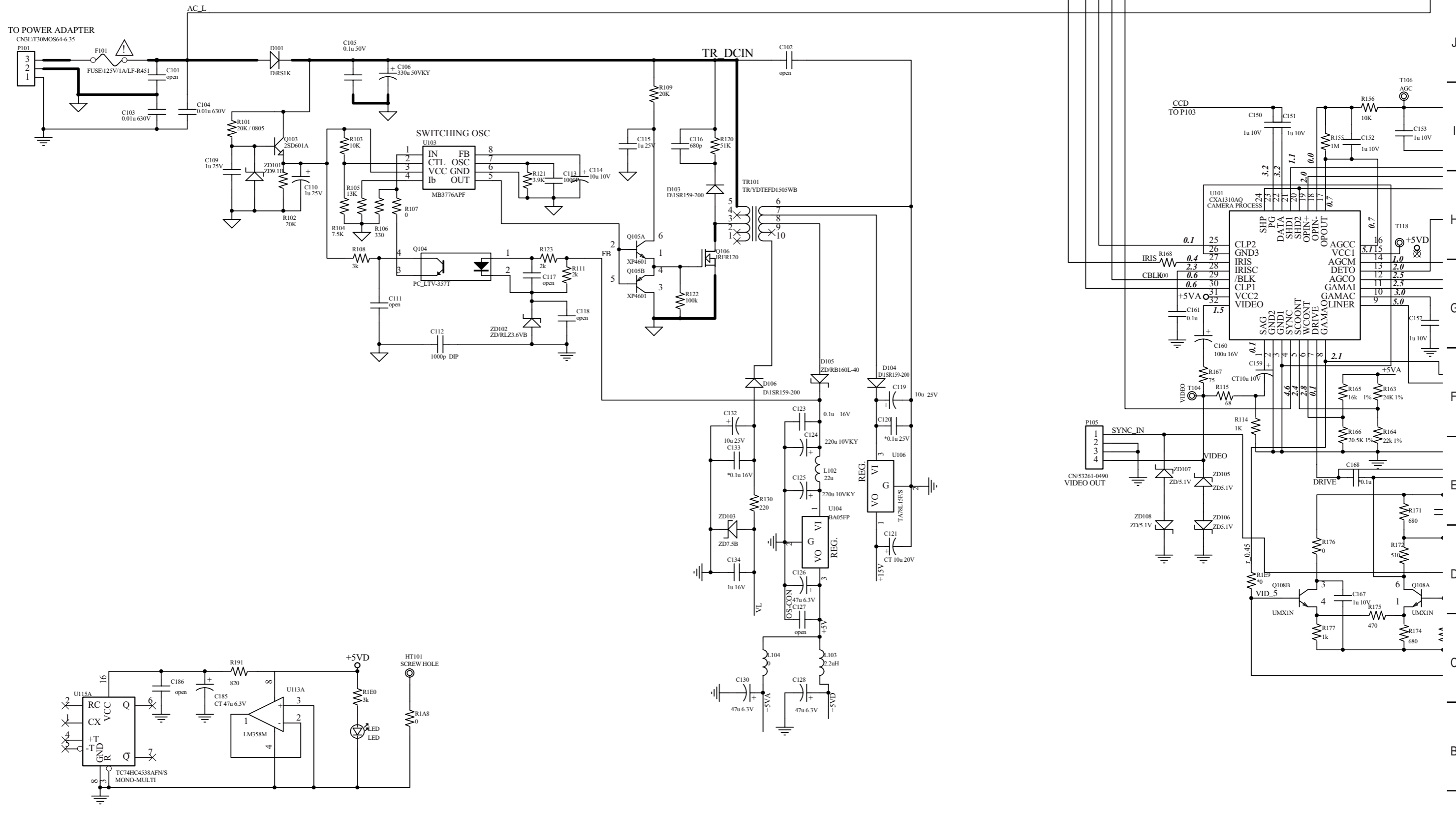
TO POWER ADAPTER
CN3L/T30MOS64-6.35



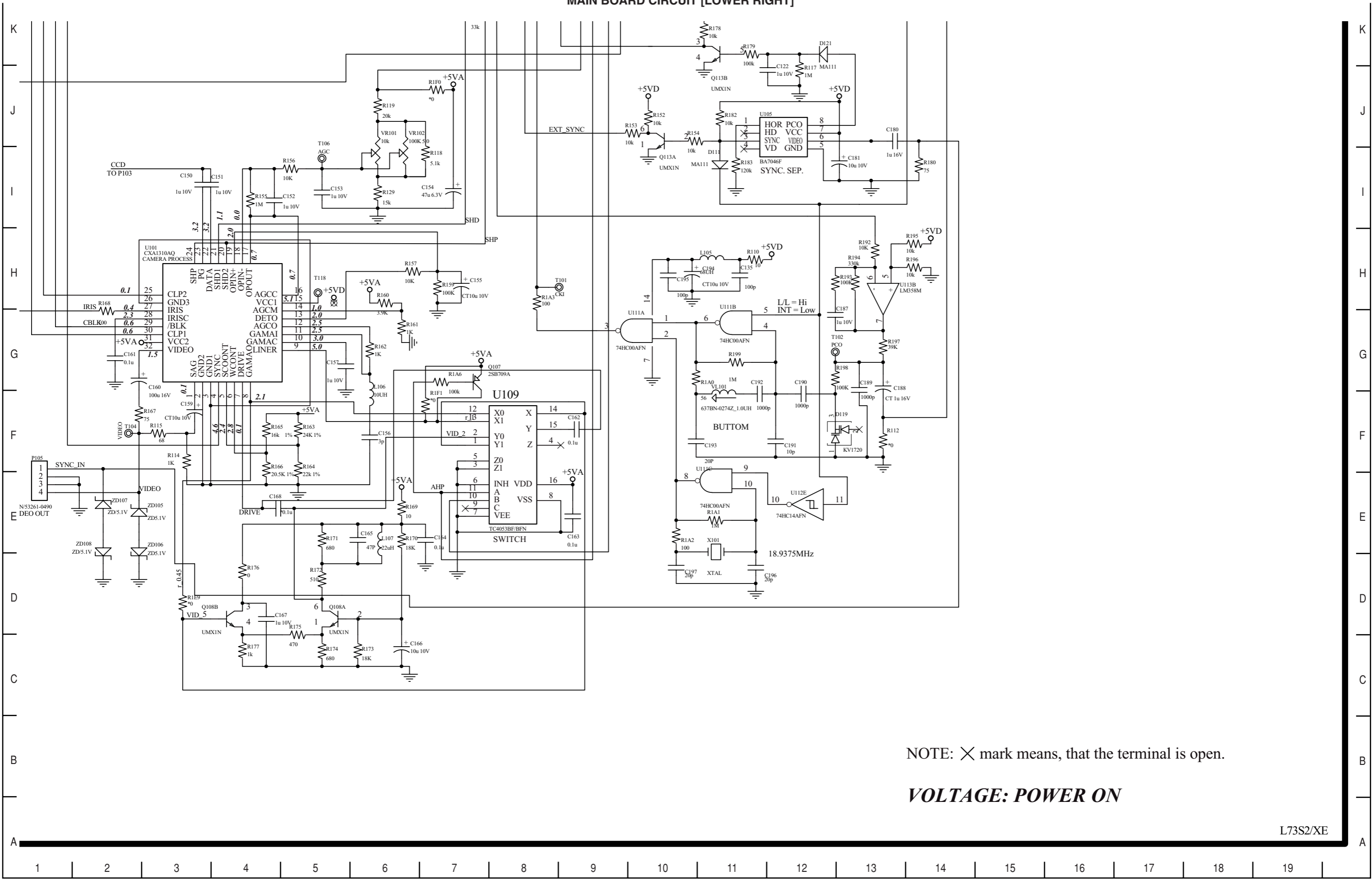
MAIN BOARD CIRCUIT [UPPER RIGHT]



MAIN BOARD CIRCUIT [LOWER LEFT]



MAIN BOARD CIRCUIT [LOWER RIGHT]



NOTE: X mark means, that the terminal is open.

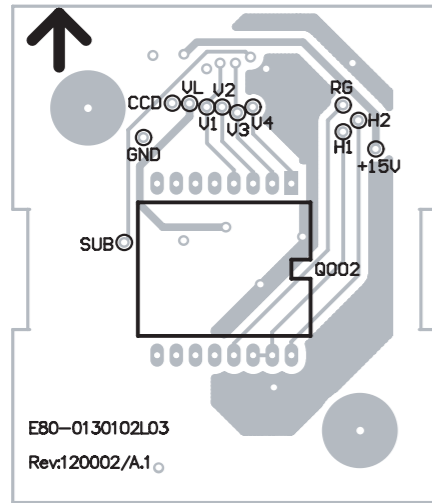
VOLTAGE: POWER ON

PRINTED WIRING BOARDS (P.W.B.)

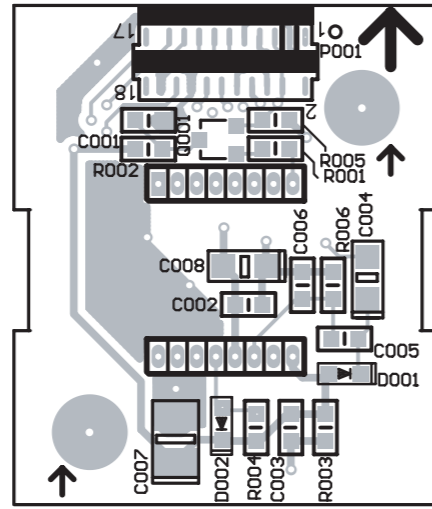
K
J
I
H
G
F
E
D
C
B
A

K
J
I
H
G
F
E
D
C
B
A

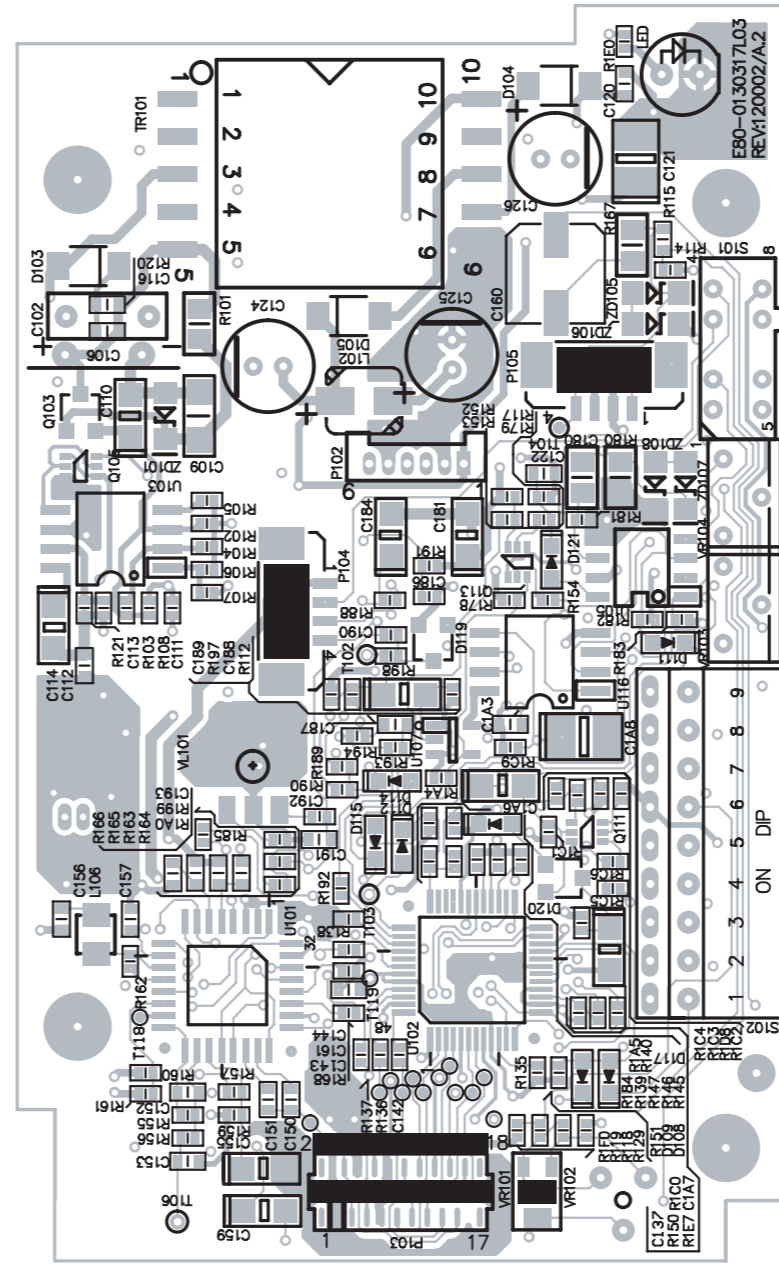
SENSOR P.W.B. (SIDE A)



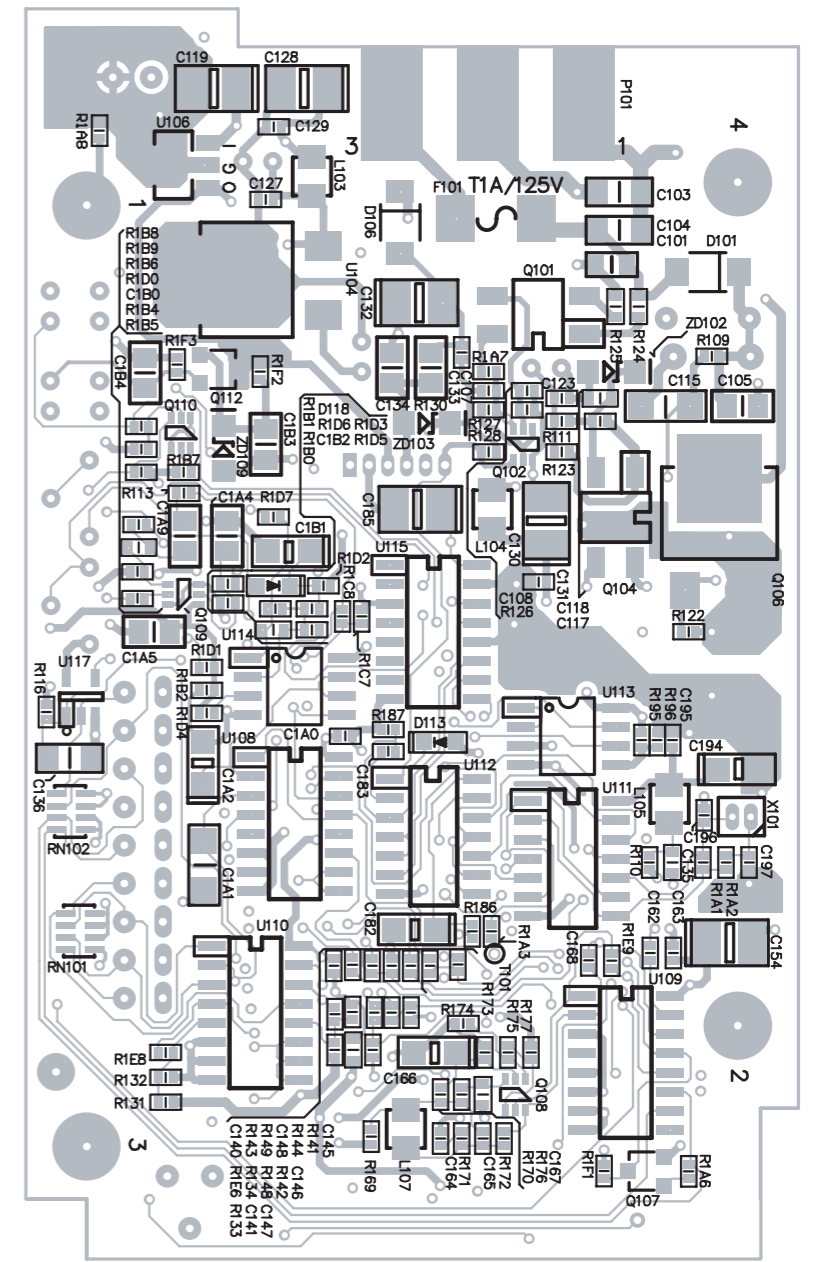
SENSOR P.W.B. (SIDE B)



MAIN P.W.B. (SIDE A)



MAIN P.W.B. (SIDE B)



1 2 3 4 5 6 7 8 9 10 11 12 13 14 15 16 17 18 19



SANYO Electric Co., Ltd.
Osaka, Japan